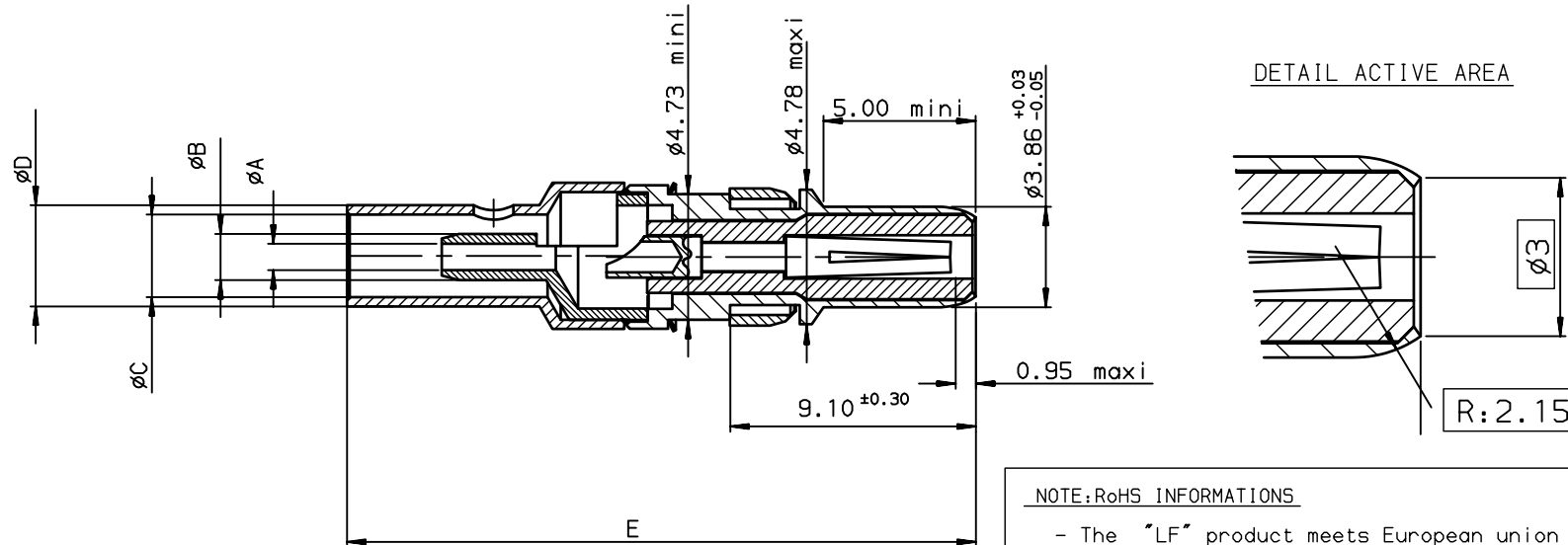


DM537405000NCLF	COAXIAL CONTACTS STRAIGT	1.00	1.75	2.32	3.20	22.40	RG 178 BU
DM537405008NCLF	COAXIAL CONTACTS STRAIGT	1.00	1.75	2.32	3.20	23.60	RG 178 BU
DM537405002NCLF	COAXIAL CONTACTS STRAIGT	2.75	4.00	5.09	5.95	26.30	RG 180 BU
Ref contact	Designation	$\phi A \begin{smallmatrix} +0.10 \\ 0 \end{smallmatrix}$	$\phi B \begin{smallmatrix} +0. \\ -0.10 \end{smallmatrix}$	$\phi C \begin{smallmatrix} +0.10 \\ 0 \end{smallmatrix}$	$\phi D \begin{smallmatrix} \pm 0.10 \end{smallmatrix}$	E	Ref cable



NOTE:RoHS INFORMATIONS

- The "LF" product meets European union Directives and other country regulations as described in G5-22-008.
- The product is not intended to be exposed to a manufacturing solder process.
- Packaging spec: see G5-14-920.

Part number: SEE TABLE

ELECTRICAL CHARACTERISTICS

- Impedance: 500HMS
- Working frequency: 1GHz max
- Dielectric with standing voltage: 600V
- Insulation resistance 5000: 14 OHMS
- Contact resistance $\leq 5 \text{ m OHMS}$
- Insertion lost: $\leq 0.2 \text{ dB}$

MECHANICAL CHARACTERISTICS

- Mating force per set of contact 0.4 N to 9 N
- Mating endurance 500
- Temperature -55° to +125 °C

TOOLING

- Coaxial contact extraction tool 8630-07A

rev	ecn no	dr	date
A	LS05-0086	MPE	2005/10/14
B	LS05-0107	MPE	2005/12/20
C	LS06-0101	MPE	2006/06/29
D	LS07-0001	MPE	2007/01/02
-	-	-	-
-	-	-	-

www.fciconnect.com		surface ISO 1302 <input checked="" type="checkbox"/>	tolerance std ISO 406 ISO 1101	projection 	mm
TOLERANCES UNLESS OTHERWISE SPECIFIED					
Dr	PESSON	2005/10/14	ANGULAR	0.X ± 0.1	size A3
Eng	PESSON	2005/10/14	LINEAR	0.XX ± 0.1	Scale 5
Chr	LEGARE	2005/10/14	0.xx' $\pm 2'$	0.XXX ± 0.1	ECN LS07-0001
Appr	LEGARE	2005/10/14	Product family D-SUB		Spec ref -
		title MALE COAX CONTACT STRAIGHT SOLDER VERSION		dwg no C01-8639-2154	Rev. D
catalog no		-		CUSTOMER	sheet 1 of 1

European Views



Copyright FCI.