

Safety device - PSR-MM30-2NO-2DO-24DC-SP - 2702358

Please be informed that the data shown in this PDF Document is generated from our Online Catalog. Please find the complete data in the user's documentation. Our General Terms of Use for Downloads are valid (<http://phoenixcontact.com/download>)




Two-channel zero-speed and over-speed safety relays up to SIL 3, Cat. 4, PL e, 2 safe relay outputs, suitable for connecting HTL, TTL, or sine/cosine encoders as well as proximity switches, pluggable Push-in terminal block, width: 22.5 mm

Your advantages

- ✓ Time saving push-in connection, tools not required
- ✓ Potentials can be easily looped through – ideal for BUS applications
- ✓ Intuitive use through colour coded actuation lever
- ✓ Can be combined with the MSTB 2,5 range
- ✓ Quick and convenient testing using integrated test option



Key Commercial Data

Packing unit	1 pc
GTIN	 4 055626 133232
GTIN	4055626133232
Weight per Piece (excluding packing)	190.900 g
Custom tariff number	90328900
Country of origin	Germany

Technical data

Note

Utilization restriction	EMC: class A product, see manufacturer's declaration in the download area
-------------------------	---

Dimensions

Width	22.5 mm
Height	117.5 mm
Depth	114.5 mm

Ambient conditions

Safety device - PSR-MM30-2NO-2DO-24DC-SP - 2702358

Technical data

Ambient conditions

Ambient temperature (operation)	-40 °C ... 55 °C (observe derating)
Ambient temperature (storage/transport)	-40 °C ... 70 °C
Max. permissible relative humidity (operation)	75 % (on average, 85% infrequently, non-condensing)
Max. permissible humidity (storage/transport)	75 % (on average, 85% infrequently, non-condensing)
Maximum altitude	≤ 2000 m (Above sea level)

Power supply

Designation	A1/A2
Rated control circuit supply voltage U_s	24 V DC -15 % / +10 %
Rated control supply current I_s	typ. 74 mA
Power consumption at U_s	typ. 1.78 W
Inrush current	< 18 A ($\Delta t = 500 \mu s$ at U_s)
Filter time	2 ms (at A1 in the event of voltage dips at U_s)
Protective circuit	Serial protection against polarity reversal 33 V suppressor diode

Digital inputs

Input name	Operating mode and monitoring inputs
Description of the input	NPN, IEC 61131-2, type 1
Number of inputs	1 (Non-safety-related start input: S34)
	3 (Safety-related operating mode inputs: I1, I2, I3)
	2 (Safety-related monitoring inputs: MI1, MI2)
Input voltage range "0" signal	0 V DC ... 5 V DC
Input voltage range "1" signal	15 V DC ... 30 V DC
Input current range "0" signal	0 mA ... 1.5 mA
Inrush current	< 5 mA
Current consumption	typ. 4 mA (at U_s)
Filter time	max. 2 ms (Test pulse width; low test pulses for operating mode and monitoring inputs)
	Test pulse rate = 5 x Test pulse width
Max. permissible overall conductor resistance	150 Ω
Discrepancy time	2 s (I1, I2, I3)
	2.5 s (MI1, MI2)
Protective circuit/component	33 V suppressor diode

Measuring inputs

Input name	Proximity switch inputs
Description of the input	NPN, IEC 61131-2, type 1
Number of inputs	2 (Safety-related proximity switch inputs: IN1 IN2)
Precision	± 2 % (in reference to the parameterized limit value)
Inrush current	< 12 mA
Current consumption	typ. 10 mA (at U_s)
Input voltage range "0" signal	0 V DC ... 5 V DC

Safety device - PSR-MM30-2NO-2DO-24DC-SP - 2702358

Technical data

Measuring inputs

Input voltage range "1" signal	15 V DC ... 30 V DC
Input current range "0" signal	0 mA ... 1.5 mA
Max. permissible overall conductor resistance	150 Ω
Limit frequency	max. 2 kHz (Minimum pulse duration: 2 μs)
Protective circuit	33 V suppressor diode
Input name	Encoder input
Description of the input	TTL, HTL, Sin/Cos
Number of inputs	1 (Safety-related encoder input, RJ45)
Precision	± 2 % (in reference to the parameterized limit value)
Current consumption	< 3 mA (Per track for U _S)
Max. permissible overall conductor resistance	150 Ω
Limit frequency	max. 400 kHz
	max. 250 kHz For active diagnostic safety encoder
HTL signal form	0 V DC ... 3 V DC (Low)
	12 V DC ... 30 V DC (High)
TTL signal form	0 V DC ... 0.9 V DC (Low)
	2.5 V DC ... 5 V DC (High)
Sine/cosine signal form	2 V DC ... 3 V DC (1 V _{pp} differential signal)

Relay outputs: enabling current path

Output name	Enabling current path
Output description	2 NO contacts each in series, without delay, floating
Number of outputs	2 (safety-related N/O contacts: 13/14, 23/24)
Contact type	2 enabling current paths
Contact material	AgSnO ₂
Switching voltage	min. 12 V AC/DC
	max. 250 V AC/DC (Observe the load curve)
Limiting continuous current	6 A
Inrush current	min. 3 mA
	max. 6 A
Sq. Total current	72 A ² (observe derating)
Switching capacity	min. 60 mW
Switching frequency	max. 0.5 Hz
Mechanical service life	10x 10 ⁶ cycles
Switching capacity according to IEC 60947-5-1	4 A (24 V (DC13))
	5 A (250 V (AC15))
Output fuse	6 A gL/gG

Alarm outputs

Output description	PNP
Number of outputs	2 (Non-safety-related signal outputs: MO1, MO2)

Safety device - PSR-MM30-2NO-2DO-24DC-SP - 2702358

Technical data

Alarm outputs

Voltage	approx. 22 V DC ($U_s - 2 V$)
Current	max. 100 mA
Maximum inrush current	500 mA ($\Delta t = 1 \text{ ms at } U_s$)
Protective circuit/component	33 V suppressor diode
Short-circuit protection	no

Times

Typical response time at U_s	< 200 ms (For U_s autostart)
	< 150 ms (For U_s manual, monitored start)
Delay time range	0 s ... 10 s $\pm 10 \%$ (Adjustable switch-on delay for downtime contacts 23/24)
Restart time	< 1 s (Boot time)
Recovery time	< 1 s

General

Relay type	Electromechanical relay with forcibly guided contacts in accordance with IEC/EN 61810-3 (EN 50205)
Nominal operating mode	100% operating factor
Net weight	190.9 g
Mounting position	vertical or horizontal
Mounting type	DIN rail mounting
Assembly instructions	See derating curve
Degree of protection	IP20
Min. degree of protection of inst. location	IP54
Housing material	PBT
Housing color	yellow
Operating voltage display	1 x green LED (PWR)
Status display	2x LED green (OUT1, OUT2)

Connection data

Connection method	Push-in connection
pluggable	Yes
Conductor cross section solid min.	0.2 mm ²
Conductor cross section solid max.	1.5 mm ²
Conductor cross section flexible min.	0.2 mm ²
Conductor cross section flexible max.	1.5 mm ²
Conductor cross section AWG min.	24
Conductor cross section AWG max.	16
Stripping length	8 mm

Safety-related characteristic data

Stop category	0
Designation	IEC 61508 - High demand

Safety device - PSR-MM30-2NO-2DO-24DC-SP - 2702358

Technical data

Safety-related characteristic data

Safety Integrity Level (SIL)	3
Designation	EN ISO 13849
Performance level (PL)	e (6 A DC1, 17520 switching cycles/year)
Category	4
Designation	EN 62061
Safety Integrity Level Claim Limit (SIL CL)	3

Standards and Regulations

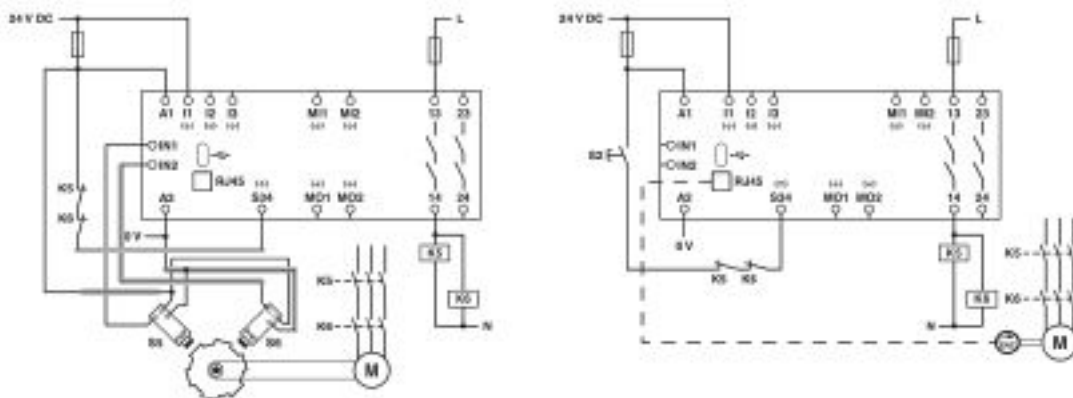
Designation	Air clearances and creepage distances between the power circuits
Standards/regulations	DIN EN 50178, EN 60947-5-1
Rated insulation voltage	250 V AC
Rated surge voltage/insulation	Basic insulation 4 kV between all current paths and housing
	Safe isolation, reinforced insulation 6 kV between input circuit (A1/A2, I1, I2, I3, MI1, MI2, IN1, IN2, S34, MO1, MO2, RJ45, USB) and the enabling current paths (13/14, 23/24)
Degree of pollution	2
Overvoltage category	III
Shock	15g
Vibration (operation)	10 Hz ... 150 Hz, 2g

Environmental Product Compliance

China RoHS	Environmentally friendly use period: unlimited = EFUP-e
	No hazardous substances above threshold values

Drawings

Circuit diagram



Classifications

eCl@ss

eCl@ss 4.0	27371102
------------	----------

Safety device - PSR-MM30-2NO-2DO-24DC-SP - 2702358

Classifications

eCl@ss

eCl@ss 4.1	27371102
eCl@ss 5.0	27371901
eCl@ss 5.1	27371901
eCl@ss 6.0	27371800
eCl@ss 7.0	27371811
eCl@ss 8.0	27371811
eCl@ss 9.0	27371811

ETIM

ETIM 3.0	EC001449
ETIM 4.0	EC001449
ETIM 5.0	EC001448
ETIM 6.0	EC001448
ETIM 7.0	EC001448

UNSPSC

UNSPSC 6.01	30211901
UNSPSC 7.0901	39121501
UNSPSC 11	39121501
UNSPSC 12.01	39121501
UNSPSC 13.2	39122331
UNSPSC 18.0	39122331
UNSPSC 19.0	39122331
UNSPSC 20.0	39122331
UNSPSC 21.0	39122331

Approvals

Approvals

Approvals

UL Listed / cUL Listed / Functional Safety / Functional Safety / cULus Listed

Ex Approvals

Approval details

UL Listed		http://database.ul.com/cgi-bin/XYVV/template/LISEXT/1FRAME/index.htm	FILE E 140324
-----------	--	---	---------------

Safety device - PSR-MM30-2NO-2DO-24DC-SP - 2702358

Approvals

cUL Listed		http://database.ul.com/cgi-bin/XYV/template/LISEXT/1FRAME/index.htm	FILE E 140324
------------	--	---	---------------

Functional Safety			968/FSP 1755.00/19
-------------------	--	--	--------------------

Functional Safety			01/205/5690.00/19
-------------------	--	--	-------------------

cULus Listed			
--------------	--	--	--

Accessories

Accessories

Programming cable

Connecting cable - CAB-USB A/MICRO USB B/2,0M - 2701626



Connecting cable, for connecting the controller to a PC for PC Worx and LOGIC+, USB A to micro USB B, 2 m in length.