

60389-1 ✓ ACTIVE

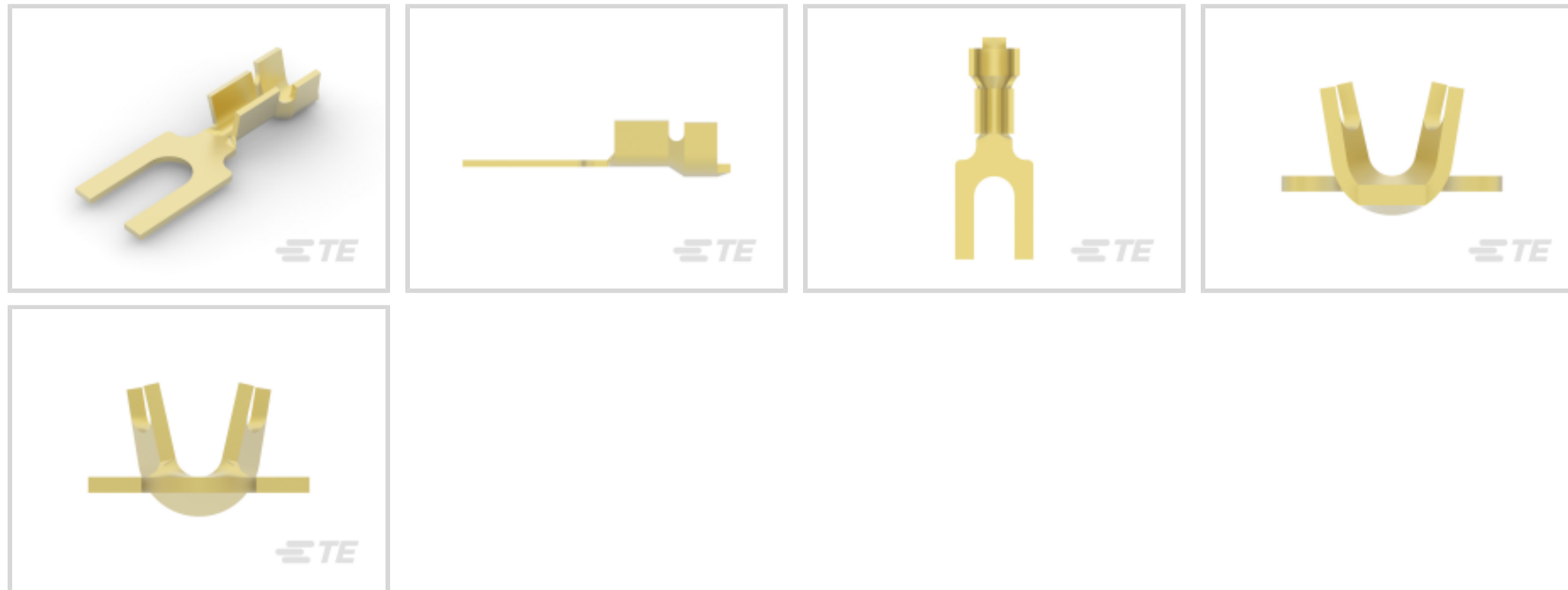
TE Internal #: 60389-1

Spade Tongue Terminal, 20 – 16 AWG, #6 / M3.5 Stud, 3.51 mm [.138 in] Stud Diameter, Open Barrel, Straight, Unplated Plating, Uninsulated

[View on TE.com >](#)



Terminals & Splices > Spade Terminals



Spade Terminal Type: **Spade Tongue Terminal**

Wire Size: **1021 – 2582 CMA**

Stud Size: **#6, M3.5**

Features

Product Type Features

Shape Description	Square Spade
Stud Size	#6, M3.5
Sealable	No
Compatible With Discrete Wire Type	Stranded
Wire Insulation Support Retention Type	Insulation Support

Contact Features

Contact Base Material	Brass
Spade Terminal Type	Spade Tongue Terminal
Barrel Type	Open
Terminal Orientation	Straight
Terminal Plating Material	Unplated
Contact Underplating Material	None

Mechanical Attachment

Wire Insulation Support	With
-------------------------	------

Dimensions

	.1 in
--	-------



Wire Size	1021 – 2582 CMA
Stud Diameter	3.51 mm [.138 in]
Tongue Thickness	.51 mm [.02 in]
Product Length	19.05 mm [.75 in]
Barrel Inside Diameter	1.52 mm, 2.92 mm [.06 in] [.115 in]
Compatible Insulation Diameter (Max)	3.56 mm [.14 in]
Compatible Insulation Diameter Range	2.54 – 3.56 mm [.1 – .14 in]

Usage Conditions

Insulation Option	Uninsulated
Operating Temperature Range	-40 – 110 °C [-40 – 230 °F]

Operation/Application

Compatible With Wire Base Material	Copper
------------------------------------	--------

Industry Standards

Government Qualified Terminal	No
-------------------------------	----

Packaging Features

Packaging Quantity	11000
Packaging Method	Strip/Reel

Product Compliance

[For compliance documentation, visit the product page on TE.com>](#)

EU RoHS Directive 2011/65/EU	Compliant
EU ELV Directive 2000/53/EC	Compliant
China RoHS 2 Directive MIIT Order No 32, 2016	No Restricted Materials Above Threshold
EU REACH Regulation (EC) No. 1907/2006	Current ECHA Candidate List: JAN 2025 (247) Candidate List Declared Against: JAN 2025 (247) Does not contain REACH SVHC
Halogen Content	Low Halogen - Br, Cl, F, I < 900 ppm per homogenous material. Also BFR/CFR/PVC Free
Solder Process Capability	Not applicable for solder process capability

Product Compliance Disclaimer

This information is provided based on reasonable inquiry of our suppliers and represents our current actual knowledge based on the information they provided. This information is subject to change. The part numbers that TE has identified as

EU RoHS compliant have a maximum concentration of 0.1% by weight in homogenous materials for lead, hexavalent chromium, mercury, PBB, PBDE, DBP, BBP, DEHP, DIBP, and 0.01% for cadmium, or qualify for an exemption to these limits as defined in the Annexes of Directive 2011/65/EU (RoHS2). Finished electrical and electronic equipment products will be CE marked as required by Directive 2011/65/EU. Components may not be CE marked. Additionally, the part numbers that TE has identified as EU ELV compliant have a maximum concentration of 0.1% by weight in homogenous materials for lead, hexavalent chromium, and mercury, and 0.01% for cadmium, or qualify for an exemption to these limits as defined in the Annexes of Directive 2000/53/EC (ELV). Regarding the REACH Regulation, the information TE provides on SVHC in articles for this part number is based on the latest European Chemicals Agency (ECHA) 'Guidance on requirements for substances in articles' posted at this URL: <https://echa.europa.eu/guidance-documents/guidance-on-reach>

Compatible Parts



TE Part # 7-4150040-7
OCEAN_2.0_SPARE_PART_KIT-110F1550



TE Part # 61764-1
RING CRIMP 20-16 AWG BR



TE Part # 4150040-2
OCEAN-2.0-APPLICATOR-E-110F1550-REA



TE Part # 61498-1
SPADE 28-22 AWG .0157 X .310 BR



TE Part # 60394-1
RING TERMINAL 20-16 AWG BR



TE Part # 60390-1
SPADE CRIMP 20-16 AWG BR

Customers Also Bought



TE Part #233230-E
STVH11 11 M B V 3-00 LA * B047 199 E 016



TE Part #40955
RING 20-16 AWG .0295 X .390 TPBR



TE Part #170032-1
250 FASTON,REC.,20-14 AWG,BR



TE Part #521290-1
FF 250 REC HSG 1P NYLON NAT



TE Part #2-1393118-7
KUP-14D35-24=KU



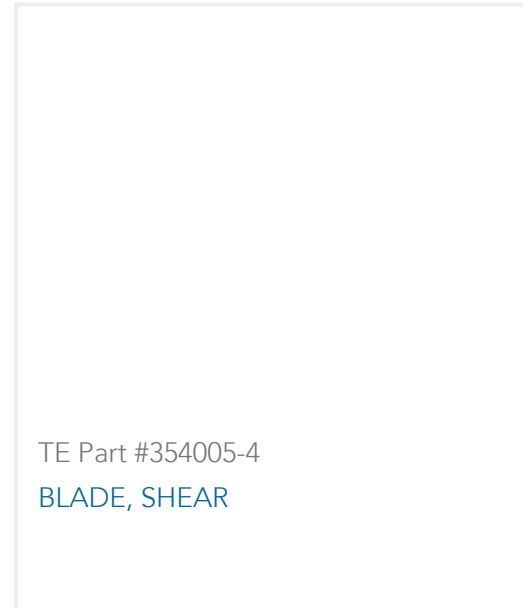
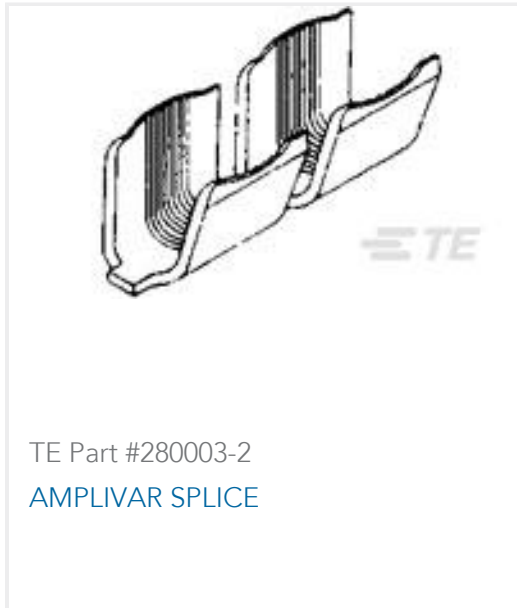
TE Part #1676625-2
HSA25 150R 5%



TE Part #1-1734248-8
1.0 FPC, ZIF V/T, SMT, 18P



TE Part #1-925017-0
250 FASTON HSG.,REC.,1 POS, NATURAL



Documents

Product Drawings

SPADE CRIMP 20-16 AWG BR

English

CAD Files

3D PDF

3D

Customer View Model

[ENG_CVM_CVM_60389-1_P_c-60389-1-p.2d_dxf.zip](#)

English

Customer View Model

[ENG_CVM_CVM_60389-1_P_c-60389-1-p.3d_igs.zip](#)

English

Customer View Model

[ENG_CVM_CVM_60389-1_P_c-60389-1-p.3d_stp.zip](#)

English

By downloading the CAD file I accept and agree to the [Terms and Conditions](#) of use.

Product Specifications

Application Specification

English

Agency Approvals

UL Report

English