

TOSHIBA CMOS DIGITAL INTEGRATED CIRCUIT SILICON MONOLITHIC

TC7SET04F, TC7SET04FU

INVERTER

The TC7SET04 is an advanced high speed CMOS INVERTER fabricated with silicon gate CMOS technology.

It achieves the high speed operation similar to equivalent Bipolar Schottky TTL while maintaining the CMOS low power dissipation.

The input threshold levels are compatible with TTL output voltage. This device can be used for level converter for interfacing 3V to 5V system.

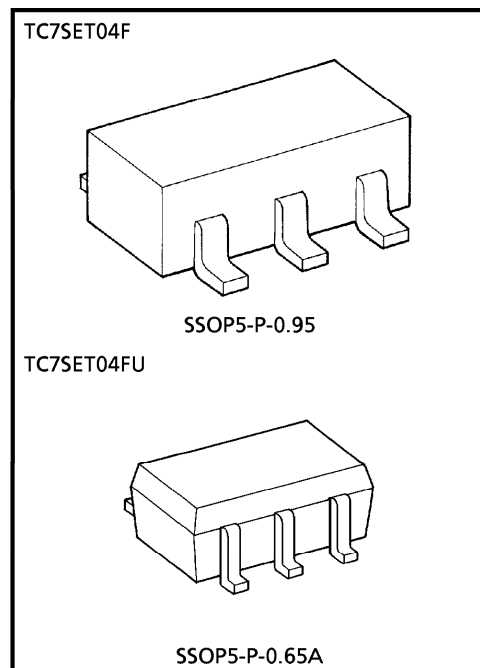
An input protection circuit ensures that 0V to 7V can be applied to the input pins without regard to the supply voltage.

FEATURES

- High Speed $t_{pd} = 5.0ns$ (Typ.)
at $V_{CC} = 5V$
- Low Power Dissipation $I_{CC} = 2\mu A$ (Max.)
at $T_a = 25^\circ C$
- Compatible with TTL outputs $V_{IL} = 0.8V$ (Max.)
 $V_{IH} = 2.0V$ (Min.)
- Power Down Protection is provided on all inputs.
- Balanced Propagation Delays $t_{pLH} = t_{pHL}$

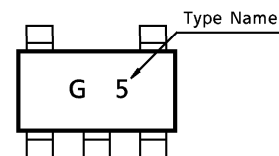
MAXIMUM RATINGS ($T_a = 25^\circ C$)

| CHARACTERISTIC | SYMBOL | RATING | UNIT |
|-----------------------------|-----------|----------------------|------------|
| Supply Voltage Range | V_{CC} | -0.5~7.0 | V |
| DC Input Voltage | V_{IN} | -0.5~7.0 | V |
| DC Output Voltage | V_{OUT} | -0.5~ $V_{CC} + 0.5$ | V |
| Input Diode Current | I_{IK} | -20 | mA |
| Output Diode Current | I_{OK} | ± 20 | mA |
| DC Output Current | I_{OUT} | ± 25 | mA |
| DC V_{CC} /Ground Current | I_{CC} | ± 50 | mA |
| Power Dissipation | P_D | 200 | mW |
| Storage Temperature | T_{stg} | -65~150 | $^\circ C$ |
| Lead Temperature (10 s) | T_L | 260 | $^\circ C$ |



Weight SSOP5-P-0.95 : 0.016g (Typ.)
SSOP5-P-0.65A : 0.006g (Typ.)

MARKING



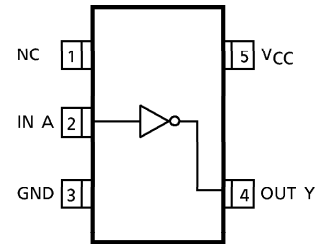
TRUTH TABLE

| | |
|---|---|
| A | Y |
| L | H |
| H | L |

LOGIC DIAGRAM



PIN ASSIGNMENT (TOP VIEW)



RECOMMENDED OPERATING CONDITIONS

| CHARACTERISTIC | SYMBOL | RATING | UNIT |
|--------------------------|-----------|-------------|------|
| Supply Voltage | V_{CC} | 4.5~5.5 | V |
| Input Voltage | V_{IN} | 0~5.5 | V |
| Output Voltage | V_{OUT} | 0~ V_{CC} | V |
| Operating Temperature | T_{opr} | -40~85 | °C |
| Input Rise and Fall Time | dt/dv | 0~20 | ns/V |

DC ELECTRICAL CHARACTERISTICS

| CHARACTERISTIC | SYMBOL | TEST CONDITION | V_{CC} (V) | $T_a = 25^\circ\text{C}$ | | | $T_a = -40\sim 85^\circ\text{C}$ | | UNIT | |
|---------------------------|-----------|---|---------------------------|--------------------------|------|-----------|----------------------------------|-----------|---------------|---|
| | | | | MIN. | TYP. | MAX. | MIN. | MAX. | | |
| High-Level Input Voltage | V_{IH} | | 4.5~5.5 | 2.0 | — | — | 2.0 | — | V | |
| Low-Level Input Voltage | V_{IL} | | 4.5~5.5 | — | — | 0.8 | — | 0.8 | V | |
| High-Level Output Voltage | V_{OH} | $V_{IN} = V_{IL}$ | $I_{OH} = -50\mu\text{A}$ | 4.5 | 4.4 | 4.5 | — | 4.4 | — | V |
| | | | $I_{OH} = -8\text{mA}$ | 4.5 | 3.94 | — | — | 3.80 | — | |
| Low-Level Output Voltage | V_{OL} | $V_{IN} = V_{IH}$ | $I_{OL} = 50\mu\text{A}$ | 4.5 | — | 0.0 | 0.10 | — | 0.10 | V |
| | | | $I_{OL} = 8\text{mA}$ | 4.5 | — | — | 0.36 | — | 0.44 | |
| Input Leakage Current | I_{IN} | $V_{IN} = 5.5\text{V}$ or GND | 0~5.5 | — | — | ± 0.1 | — | ± 1.0 | μA | |
| Quiescent Supply Current | I_{CC} | $V_{IN} = V_{CC}$ or GND | 5.5 | — | — | 2.0 | — | 20.0 | μA | |
| | I_{CCT} | PER INPUT : $V_{IN} = 3.4\text{V}$ OTHER INPUT : V_{CC} or GND | 5.5 | — | — | 1.35 | — | 1.50 | mA | |

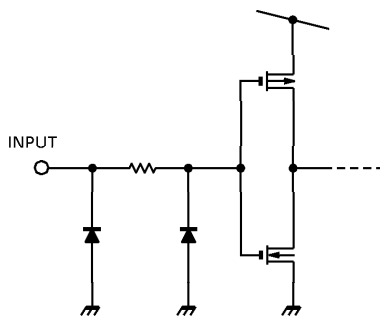
AC ELECTRICAL CHARACTERISTICS (Input $t_r = t_f = 3\text{ns}$)

| CHARACTERISTIC | SYMBOL | TEST CONDITION | | Ta = 25°C | | | Ta = -40~85°C | | UNIT |
|-------------------------------|--------|----------------|---------|-----------|------|------|---------------|------|------|
| | | VCC (V) | CL (pF) | MIN. | TYP. | MAX. | MIN. | MAX. | |
| Propagation Delay Time | tPLH | 5.0 ± 0.5 | 15 | — | 5.0 | 7.0 | 1.0 | 8.0 | ns |
| | tPHL | | 50 | — | 8.0 | 10.5 | 1.0 | 12.0 | |
| Input Capacitance | CIN | | | — | 4 | 10 | — | 10 | pF |
| Power Dissipation Capacitance | CpD | (Note 1) | | — | 17 | — | — | — | |

(Note 1) : CpD is defined as the value of the internal equivalent capacitance which is calculated from the operating current consumption without load.
 Average operating current can be obtained by the equation :

$$I_{CC (opr)} = C_{pD} \cdot V_{CC} \cdot f_{IN} + I_{CC}$$

INPUT EQUIVALENT CIRCUIT



PACKAGE DIMENSIONS
SSOP5-P-0.95

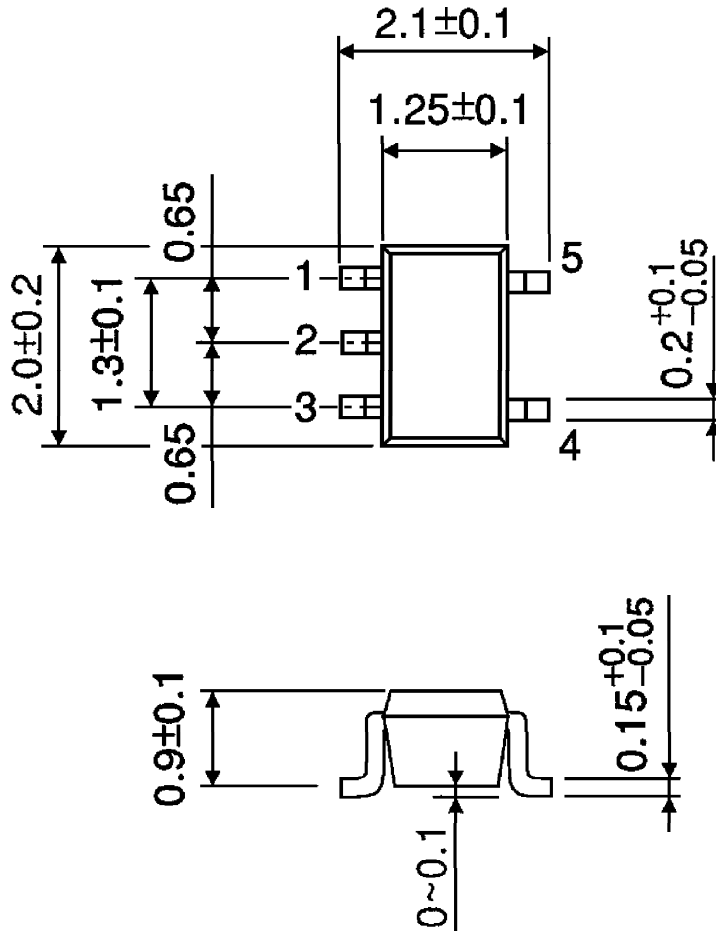
Unit : mm



Weight : 0.016g (Typ.)

PACKAGE DIMENSIONS
SSOP5-P-0.65A

Unit : mm



Weight : 0.006g (Typ.)

RESTRICTIONS ON PRODUCT USE

000707EBA

- TOSHIBA is continually working to improve the quality and reliability of its products. Nevertheless, semiconductor devices in general can malfunction or fail due to their inherent electrical sensitivity and vulnerability to physical stress. It is the responsibility of the buyer, when utilizing TOSHIBA products, to comply with the standards of safety in making a safe design for the entire system, and to avoid situations in which a malfunction or failure of such TOSHIBA products could cause loss of human life, bodily injury or damage to property. In developing your designs, please ensure that TOSHIBA products are used within specified operating ranges as set forth in the most recent TOSHIBA products specifications. Also, please keep in mind the precautions and conditions set forth in the "Handling Guide for Semiconductor Devices," or "TOSHIBA Semiconductor Reliability Handbook" etc..
- The TOSHIBA products listed in this document are intended for usage in general electronics applications (computer, personal equipment, office equipment, measuring equipment, industrial robotics, domestic appliances, etc.). These TOSHIBA products are neither intended nor warranted for usage in equipment that requires extraordinarily high quality and/or reliability or a malfunction or failure of which may cause loss of human life or bodily injury ("Unintended Usage"). Unintended Usage include atomic energy control instruments, airplane or spaceship instruments, transportation instruments, traffic signal instruments, combustion control instruments, medical instruments, all types of safety devices, etc.. Unintended Usage of TOSHIBA products listed in this document shall be made at the customer's own risk.
- The products described in this document are subject to the foreign exchange and foreign trade laws.
- The information contained herein is presented only as a guide for the applications of our products. No responsibility is assumed by TOSHIBA CORPORATION for any infringements of intellectual property or other rights of the third parties which may result from its use. No license is granted by implication or otherwise under any intellectual property or other rights of TOSHIBA CORPORATION or others.
- The information contained herein is subject to change without notice.