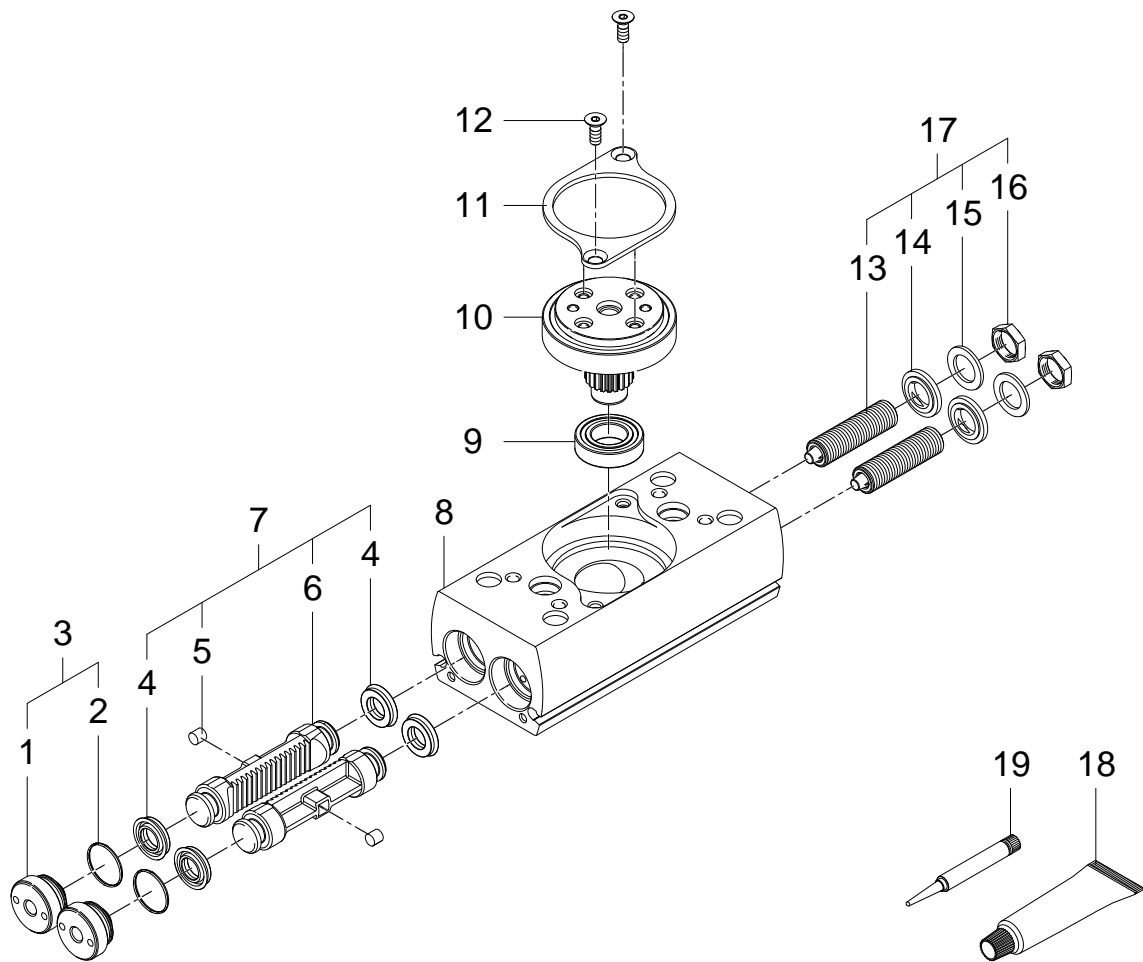


2350968 DRRD-10-180-FH-PA Semi-rotary drive - Series: All



2350968 DRRD-10-180-FH-PA Semi-rotary drive - Series: All

| Pos. | Part no. | Type | Note | Qty. | Unit |
|------|----------|--|---|------|------|
| A | 8035243 | DRRD-10 Set of wearing parts | Spare parts: 2, 4, 14, 15, 18, 19 Replacing the wearing parts | 1 | PC |
| 1 | | DRRD-10 stopper plug | Not available separately, see position 3 | 1 | PC |
| 2 | | 8,2X0,5-S-NBR70 O-ring | Not available separately, see position 3+999 Grease using during assembly. See position 18 | 1 | PC |
| 3 | 2350974 | DRRD-10 stopper plug module | Tightening torque 0.5 Nm / 0.4 lbf ft | 2 | PC |
| 4 | | LEFC2-10X6X2,55-TPE-U Lip seal | Not available separately, see position 7+999 Grease using during assembly. See position 18 | 2 | PC |
| 5 | | 3,6X3,4 Magnet | Not available separately, see position 7 Grease using during assembly. See position 18 | 1 | PC |
| 6 | | DRRD-10 Piston | Not available separately, see position 7 | 1 | PC |
| 7 | 2350963 | DRRD-10 Piston module | | 2 | PC |
| 8 | | DRRD-10 Housing | Not available | 1 | PC |
| 9 | 365878 | D616-686-2Z Deep groove ball bearing | | 1 | PC |
| 10 | 2350977 | DRRD-10 Shaft module | | 1 | PC |
| 11 | 2350972 | DRRD-10 Cover | | 1 | PC |
| 12 | 650609 | DIN 7991-M3X8-8.8 Countersunk screw | Tightening torque 1.2 Nm / 0.9 lbf ft Use locking compound. See position 19 | 2 | PC |
| 13 | | M6X0,5X22-1.4305 Threaded pin | Not available separately, see position 17 | 1 | PC |
| 14 | | DRQD- 8 Sealing ring | Not available separately, see position 17+999 | 1 | PC |
| 15 | | 6,3X9X0,8 Ring | Not available separately, see position 17+999 | 1 | PC |
| 16 | | M6X0,5 Hex nut | Not available separately, see position 17 Tightening torque 1 Nm / 0.7 lbf ft | 1 | PC |
| 17 | 2350970 | DRRD-10-P Cushioning module | | 2 | PC |
| 18 | 684474 | LUB-KC1 SILIKONFREI 20ML Lubricating grease | | 1 | PC |
| 19 | 8181256 | CYBERBOND TM44 TB1ML Adhesive bonding agent | | 1 | PC |