

Datasheet

SPDT PCB Mount Non-Latching Relay, 12V dc

RS Stock 476-725



Features

- Max.2A switching capability
- High sensitive: 150mW
- 1 Form C configuration
- Wash tight type available
- Environmental friendly product (RoHS compliant)
- Outline Dimensions: (12.5 x 7.5 x 10.0) mm

CONTACT DATA

Contact arrangement	1C
Contact resistance	100mΩ(at 0.1A 6VDC)
Contact material	AgNi +Au plated
Contact rating (Res. load)	0.5A 125VAC / 1A 30VDC
Max. switching voltage	125VAC / 60VDC
Max. switching current	2A
Max. switching power	62.5VA / 30W
Min. permissible load	1mA 5V
Mechanical endurance	1x10 ⁷ OPS (300OPS/min.)
Electrical endurance	1x10 ⁵ OPS (30OPS/min.)

CHARACTERISTICS

Insulation resistance	1000MΩ(at 500VDC)	
Dielectric strength	Between coil & contacts	1000VAC 1min
	Between open contacts	400VAC 1min
Operate time (at nomi. volt.)	5ms max.	
Release time (at nomi. volt.)	5ms max.	
Bounce time (at nomi.volt.)	5ms max.	
Temperature rise (at nomi.volt.)	65K max.	
Shock resistance	98m/s ²	
Vibration resistance	10Hz to 55Hz 3.3mm DA	
Humidity	35% to 85% RH	
Ambient temperature	-30°C to 70°C	
Unit weight	Approx. 2.2g	
Termination	PCB (DIP)	
Construction	Wash tight	

COIL DATA

at 23°C

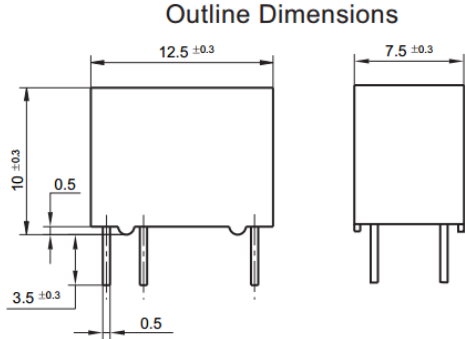
Standard Type (200mW)

Nominal Voltage VDC	Pick-up Voltage VDC	Drop-out Voltage VDC	Max. Allowable Voltage VDC	Coil Resistance Ω
1.5	1.20	0.15	2.25	11.3 x (1±10%)
3	2.40	0.30	4.5	45 x (1±10%)
5	4.00	0.50	7.5	125 x (1±10%)
6	4.80	0.60	9.0	180 x (1±10%)
9	7.20	0.90	13.5	405 x (1±10%)
12	9.60	1.20	18.0	720 x (1±10%)
24	19.20	2.40	36.0	2880 x (1±15%)

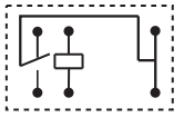
Sensitive Type (150mW)

Nominal Voltage VDC	Pick-up Voltage VDC	Drop-out Voltage VDC	Max. Allowable Voltage VDC	Coil Resistance Ω
1.5	1.20	0.15	2.25	15 x (1±10%)
3	2.40	0.30	4.5	60 x (1±10%)
5	4.00	0.50	7.5	167 x (1±10%)
6	4.80	0.60	9.0	240 x (1±10%)
9	7.20	0.90	13.5	540 x (1±10%)
12	9.60	1.20	18.0	960 x (1±10%)
24	19.20	2.40	36.0	3840 x (1±15%)

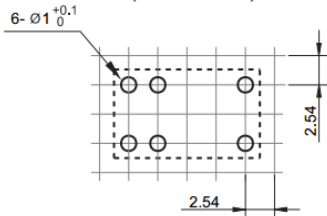
Dimensions: (mm)



Wiring Diagram
(Bottom view)

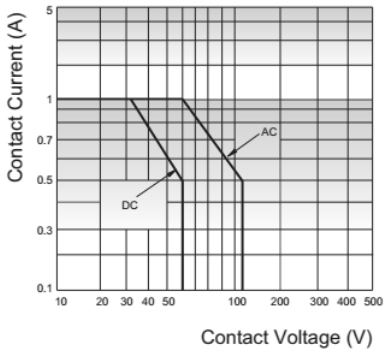


PCB Layout
(Bottom view)

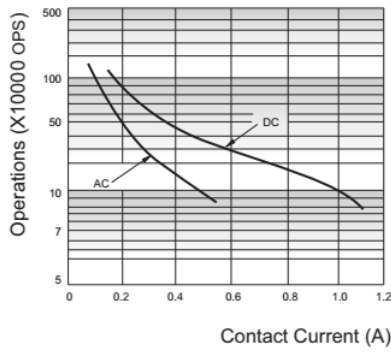


CHARACTERISTIC CURVES

MAXIMUM SWITCHING POWER



ENDURANCE CURVE



MAX.ALLOWABLE AMBIENT TEMPERATURE CURVE

