

SENTRON, 3LD switch disconnecter, EMERGENCY-STOP switch, 3-pole, Iu:63 A, Operational power / at AC-23 A at 400 V: 22 kW, front-mounted, rotary operating mechanism, red/yellow, 4-hole mounting of the handle



Model	
Product brand name	SENTRON
Product designation	3LD switch disconnecter
Design of the product	EMERGENCY-STOP switch
Display version / for switch position indicator manual operation	1 ON - 0 OFF
Design of the operating mechanism	Short rotary knob
Design of handle	rotary operating mechanism, red/yellow
Type of the driving mechanism / motor drive	No
General technical data	
Number of poles	3
Type of device	fixed mounting
Type of switch	front mounted
Size of switch disconnecter	3
Operating frequency / maximum	50 1/h
Voltage	
Insulation voltage / rated value	690 V
Surge voltage resistance / rated value	6 kV

Protection class	
<b>Protection class IP</b>	IP65
Protection class IP / on the front	IP65
Dissipation	
<b>Power loss [W]</b>	4.5 W
<ul style="list-style-type: none"> <li>for rated value of the current / at AC / in hot operating state / per pole</li> </ul>	
Electricity	
Current / at AC / rated value	63 A
Continuous current / rated value	63 A
Short-time current resistance (I <sub>cw</sub> ) / at 690 V / limited to 1 s / rated value	1 260 A
Main circuit	
<b>Operating frequency</b>	
<ul style="list-style-type: none"> <li>initial value</li> </ul>	50 Hz
<ul style="list-style-type: none"> <li>Full-scale value</li> </ul>	60 Hz
<b>Operating power</b>	
<ul style="list-style-type: none"> <li>at AC-23 A / at 400 V / rated value</li> </ul>	22 kW
<ul style="list-style-type: none"> <li>at AC-23 A / at 690 V / rated value</li> </ul>	18.5 kW
<ul style="list-style-type: none"> <li>at AC-3 / at 400 V / rated value</li> </ul>	18.5 kW
<ul style="list-style-type: none"> <li>at AC-3 / at 690 V / rated value</li> </ul>	15 kW
<b>Operating voltage</b>	
<ul style="list-style-type: none"> <li>at AC / at 50/60 Hz / rated value</li> </ul>	690 V
Auxiliary circuit	
<b>Operating voltage / of auxiliary contacts / at AC / maximum</b>	500 V
<b>Continuous current / of the auxiliary contact / rated value</b>	10 A
<b>Insulation voltage / of the auxiliary switch / rated value</b>	500 V
Suitability	
<b>Suitability for use</b>	
<ul style="list-style-type: none"> <li>Main switch</li> </ul>	Yes
<ul style="list-style-type: none"> <li>switch disconnecter</li> </ul>	Yes
<ul style="list-style-type: none"> <li>EMERGENCY OFF switch</li> </ul>	Yes
<ul style="list-style-type: none"> <li>safety switch</li> </ul>	Yes
<ul style="list-style-type: none"> <li>maintenance/repair switch</li> </ul>	Yes
Product details	
Product feature / interlock	Yes
Product extension / optional	
<ul style="list-style-type: none"> <li>motor drive</li> </ul>	No

- Voltage trigger

No

**Short-time current resistance (I<sub>cw</sub>) / limited to 1 s / rated value**

1 260 kA

### Connections

**Type of electrical connection**

- for main current circuit
- for auxiliary contacts

Box terminal  
connection terminals

### Requirements

**Design of the fuse link**

- for short-circuit protection of the main circuit / required
- for short-circuit protection of the auxiliary switch / required

fuse gL/gG: 63 A

fuse gL/gG: 10 A

### Mechanical Design

**Height**

106 mm

**Width**

90 mm

**Depth**

110.5 mm

**Mounting type**

Built-in unit fixed-mounted version

**Mounting type**

- front mounting with 4-hole attachment
- front mounting with central attachment
- rail mounting

Yes

No

No

**Net weight**

420 g

### Environmental conditions

**Ambient temperature**

- during operation / minimum
- during operation / maximum

-25 °C

55 °C

### Certificates

**Equipment marking**

- acc. to DIN EN 61346-2
- acc. to DIN EN 81346-2

S

SF

**General Product Approval**

**Declaration of  
Conformity**

**Test  
Certificates**

**other**



CCC



CSA



UL



EG-Konf.

[Special Test  
Certificate](#)

[Environmental  
Confirmations](#)

### Further information

**Information- and Downloadcenter (Catalogs, Brochures,...)**

<http://www.siemens.com/lowvoltage/catalogs>

**Industry Mall (Online ordering system)**

<https://mall.industry.siemens.com/mall/en/en/Catalog/product?mlfb=3LD2504-0TK53>

**Service&Support (Manuals, Certificates, Characteristics, FAQs,...)**

<https://support.industry.siemens.com/cs/ww/en/ps/3LD2504-0TK53>

**Image database (product images, 2D dimension drawings, 3D models, device circuit diagrams, ...)**

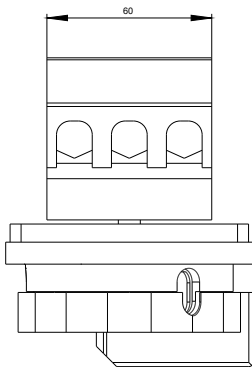
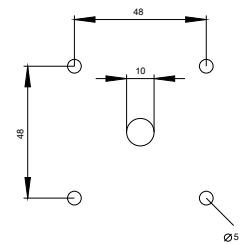
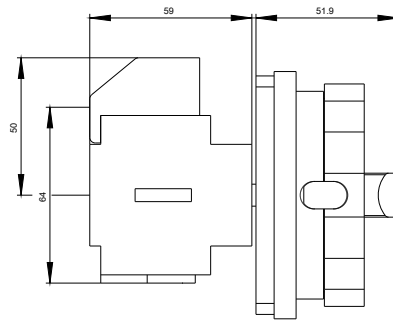
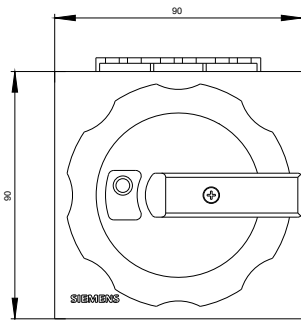
[http://www.automation.siemens.com/bilddb/cax\\_en.aspx?mlfb=3LD2504-0TK53](http://www.automation.siemens.com/bilddb/cax_en.aspx?mlfb=3LD2504-0TK53)

**CAX-Online-Generator**

<http://www.siemens.com/cax>

**Tender specifications**

<http://www.siemens.com/specifications>



**-Q1**

