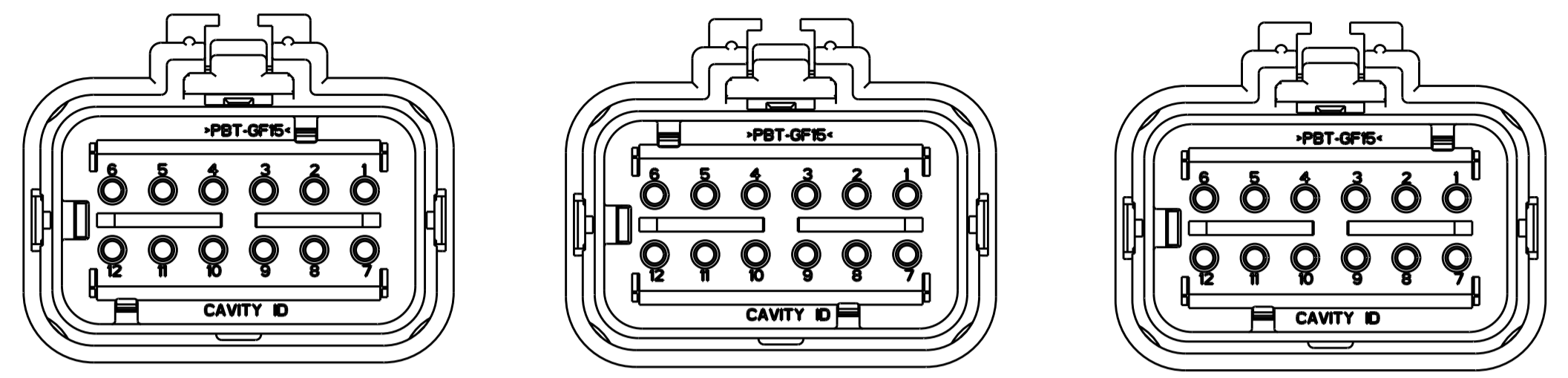


THIS DRAWING IS UNPUBLISHED. RELEASED FOR PUBLICATION 20
 © COPYRIGHT 20 ALL RIGHTS RESERVED.

LOC	DIST	REVISIONS					
GE	00	P	LTR	DESCRIPTION	DATE	DWN	APVD
		EI		REVISED PER ECO-11-005294	06APR2011	RK	HMR

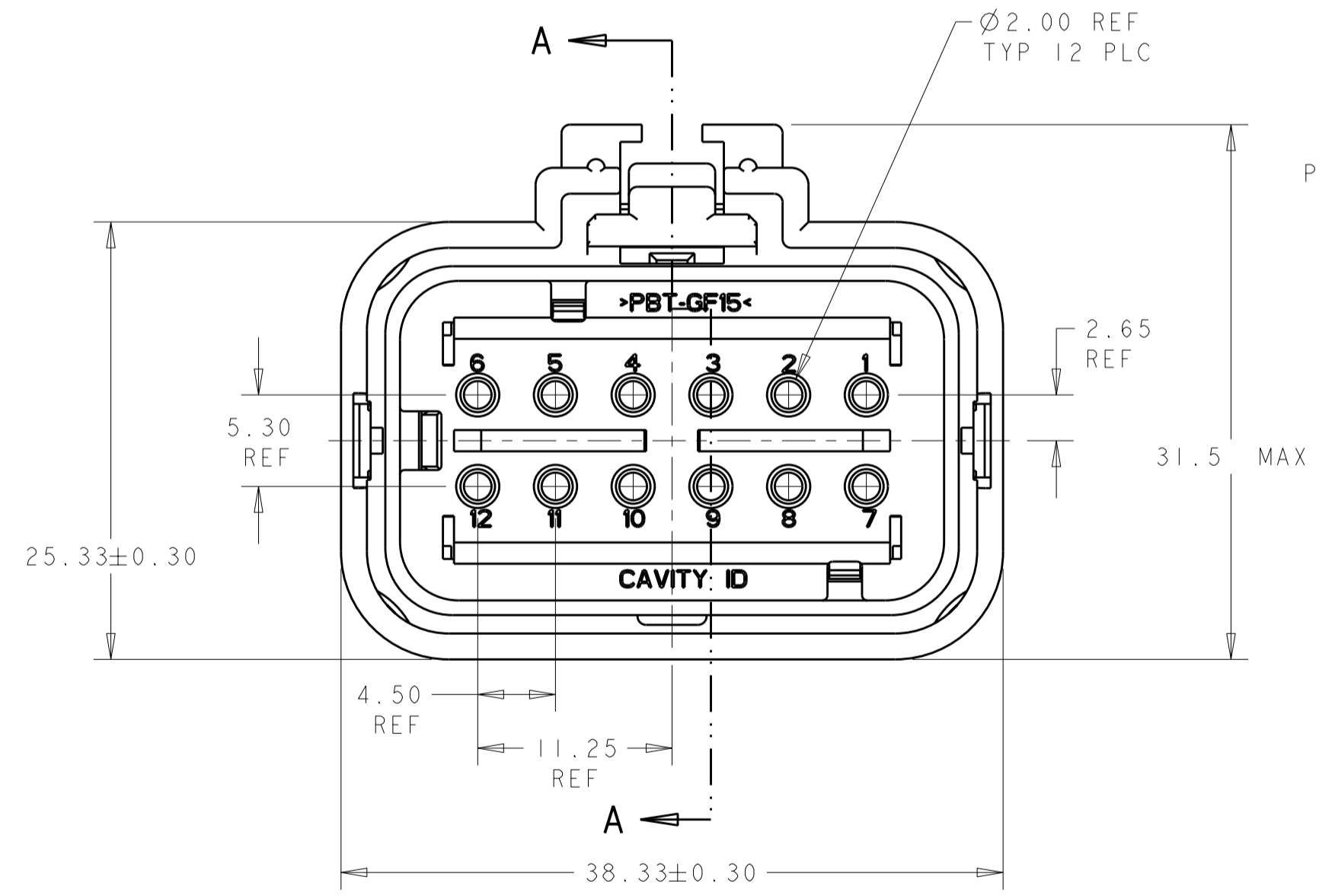


776437-2
SCALE 2:1

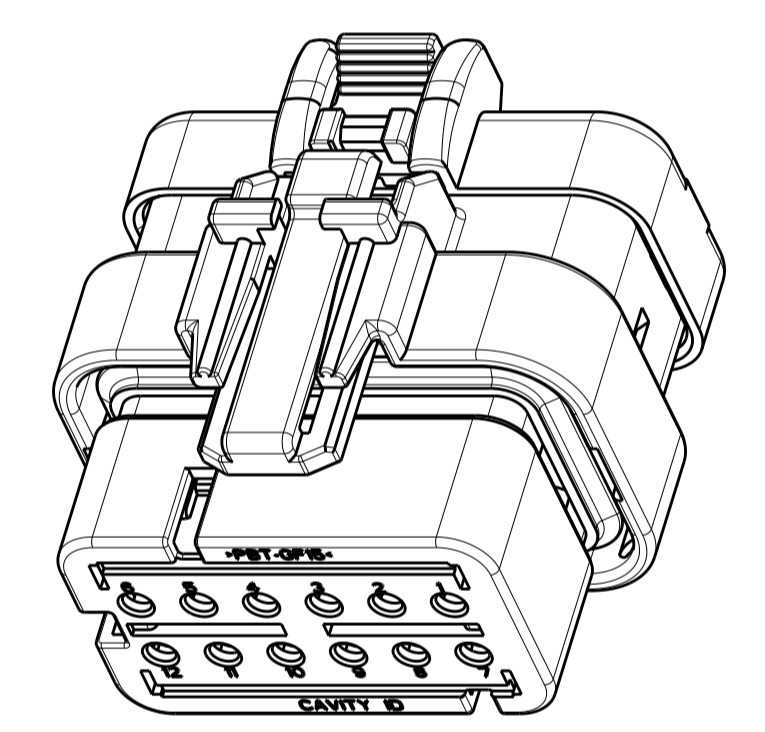
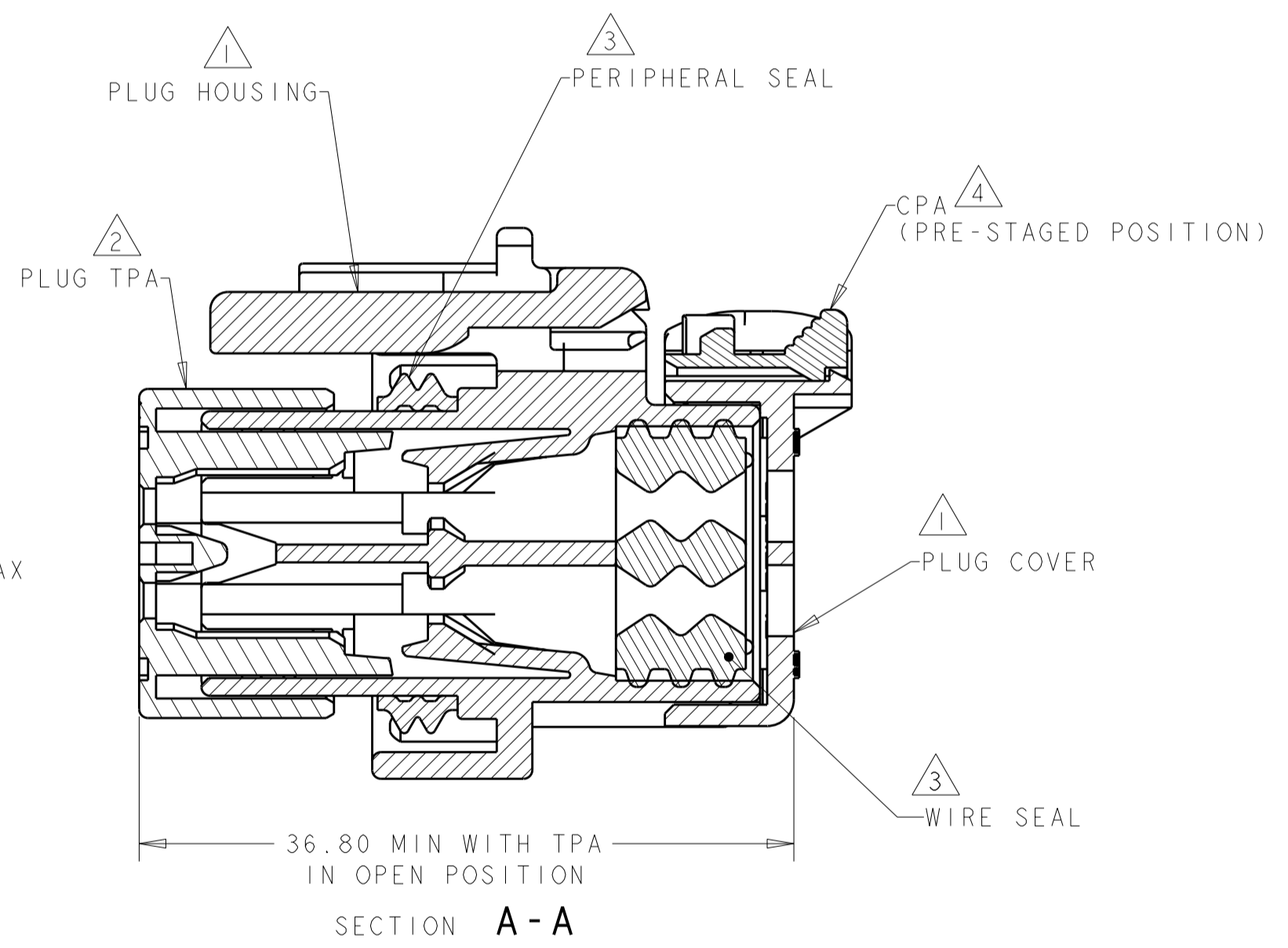
776437-3
SCALE 2:1

776437-4
SCALE 2:1

- 1 MATERIAL: 15% GLASS FILLED THERMOPLASTIC
COLOR: BLACK
 - 2 MATERIAL: 15% GLASS FILLED THERMOPLASTIC
COLOR: (SEE TABLE)
 - 3 MATERIAL: SILICONE
COLOR: YELLOW
 - 4 MATERIAL: 15% GLASS FILLED THERMOPLASTIC
COLOR: RED
5. RECOMMENDED WIRE DIAMETER RANGE IS 2.18 TO 3.67mm.



776437-1 SHOWN



SCALE 2:1

GREEN	776437-4
YELLOW	776437-3
GRAY	776437-2
RED	776437-1
TPA COLOR	PART NUMBER

THIS DRAWING IS A CONTROLLED DOCUMENT.		DWN AJ GRAFF 07JUN00	TE Connectivity	
DIMENSIONS: mm		CHK R. GREINER 03JAN02		
TOLERANCES UNLESS OTHERWISE SPECIFIED:		APVD M. TRULLI 03JAN02	NAME PLUG ASSEMBLY, 12 POSITION, DUAL ROW, AMPSEAL 16	
0 PLC ±		PRODUCT SPEC	SIZE CAGE CODE DRAWING NO	
1 PLC ±		APPLICATION SPEC	RESTRICTED TO	
2 PLC ±		114-13065	A20779C-776437	
3 PLC ±		WEIGHT	SCALE 3:1 SHEET OF REV E1	
4 PLC ±		CUSTOMER DRAWING		
ANGLES ±				
FINISH				