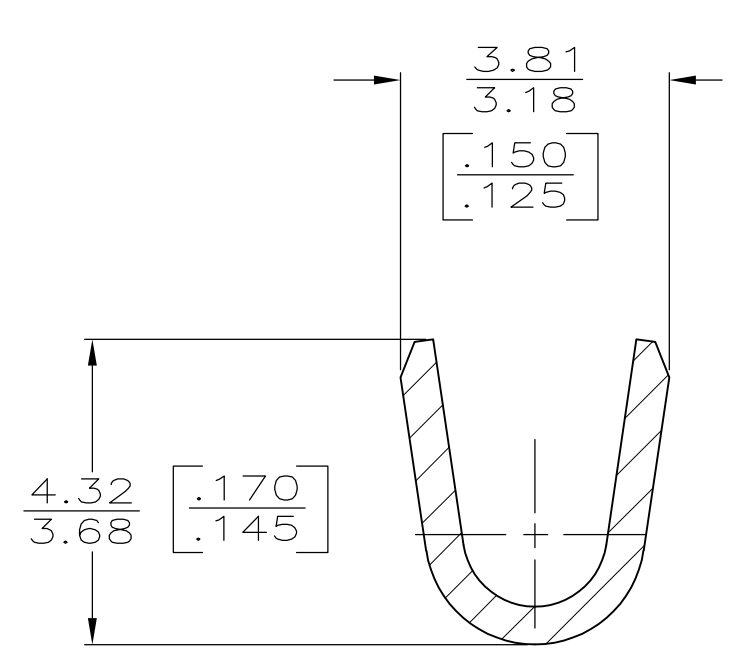
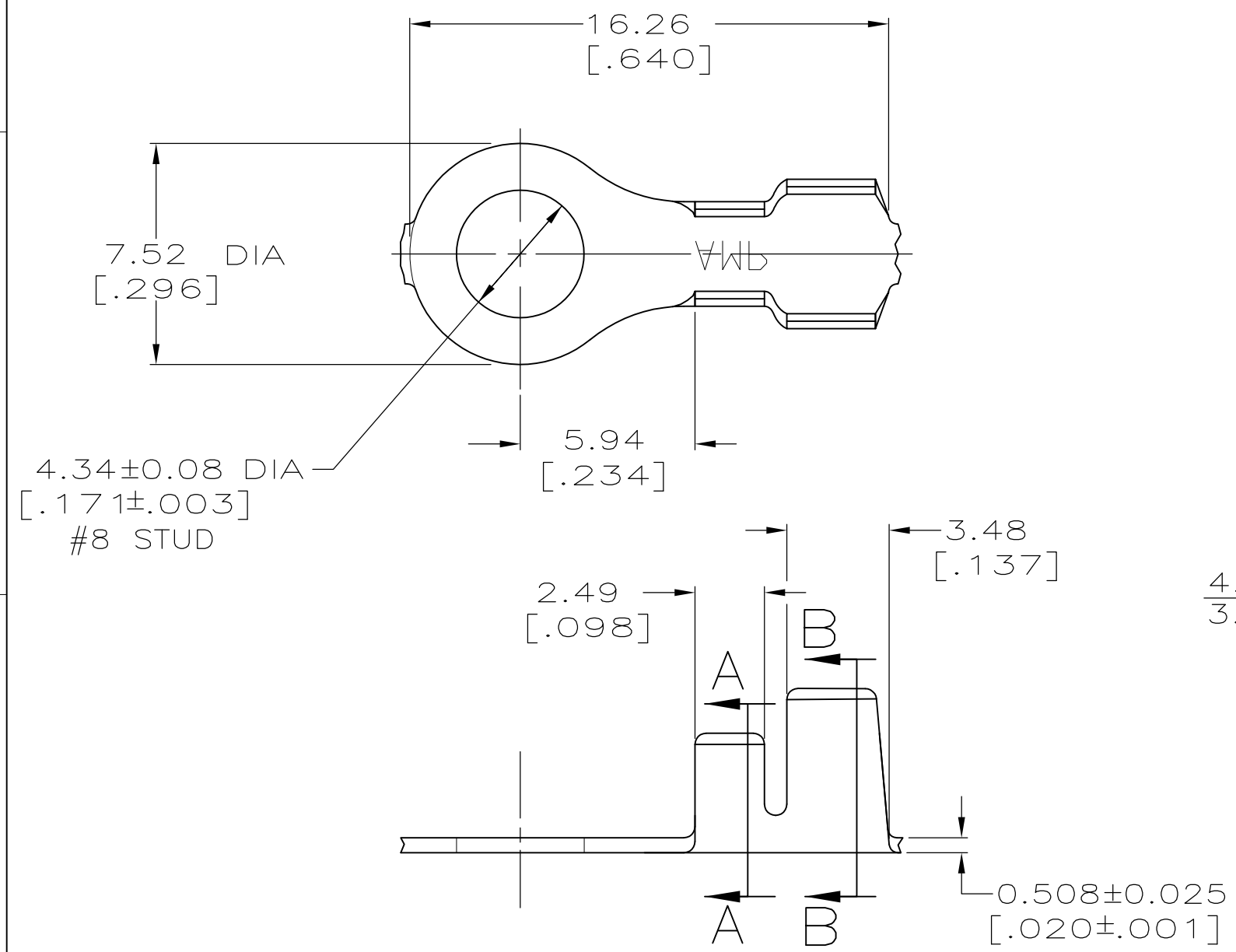


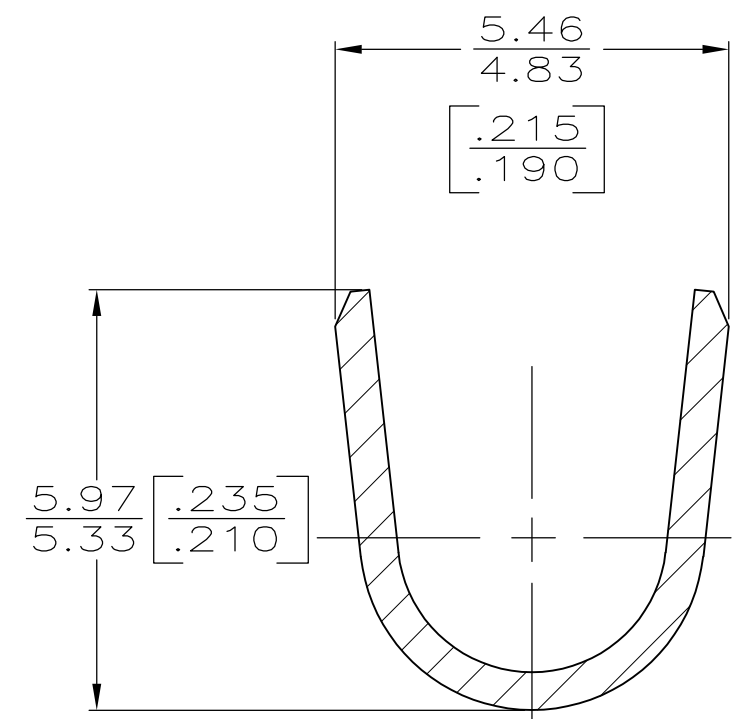
THIS DRAWING IS UNPUBLISHED. RELEASED FOR PUBLICATION  
 © COPYRIGHT - By - ALL RIGHTS RESERVED.

LOC	DIST	REVISIONS					
AF	50	P	LTR	DESCRIPTION	DATE	DWN	APVD
		S1		REVISED PER ECO-11-004587	11MAR11	RK	HMR

- 1 CONTINUOUS STRIP ON REEL.
- △2 TIN PLATING.
- △3 NICKEL PLATING.



SECTION A-A  
SCALE 10:1



SECTION B-B  
SCALE 10:1

△3	T3 STEEL	3.05-4.32 DIA	[18-14] AWG	41332-1
△2	082 BRASS	[.120-.170]		41332
FINISH	MATERIAL	INSULATION RANGE	WIRE RANGE	PART NO

F OR O	4.57 [.180]	4.06 [.160]	F	3.05 [.120]	1.96 [.077] [14]	
					1.73 [.068] [16]	
					1.60 [.063] [18]	
TYPE	WIDTH	STRIP LENGTH ±0.38 ±[.015]	TYPE	WIDTH	±0.051 [±.002] HEIGHT	WIRE
INSUL BARREL CRIMP			WIRE BARREL CRIMP			

THIS DRAWING IS A CONTROLLED DOCUMENT.

DIMENSIONS: INCHES

TOLERANCES UNLESS OTHERWISE SPECIFIED:

0 PLC ± -  
 1 PLC ± -  
 2 PLC ± 0.25 [.010]  
 3 PLC ± -  
 4 PLC ± -  
 ANGLES ± -

MATERIAL SEE TABLE

FINISH SEE TABLE

DWN P FORTNEY 7/22/91  
 CHK MS FEHER 8/8/91  
 APVD G YETTER 8/12/91

**STE** TE Connectivity

PRODUCT SPEC  
 APPLICATION SPEC

NAME RING

SIZE A3 CAGE CODE 00779 DRAWING NO C-41332 RESTRICTED TO -

CUSTOMER DRAWING SCALE 5:1 SHEET 1 OF 1 REV S1