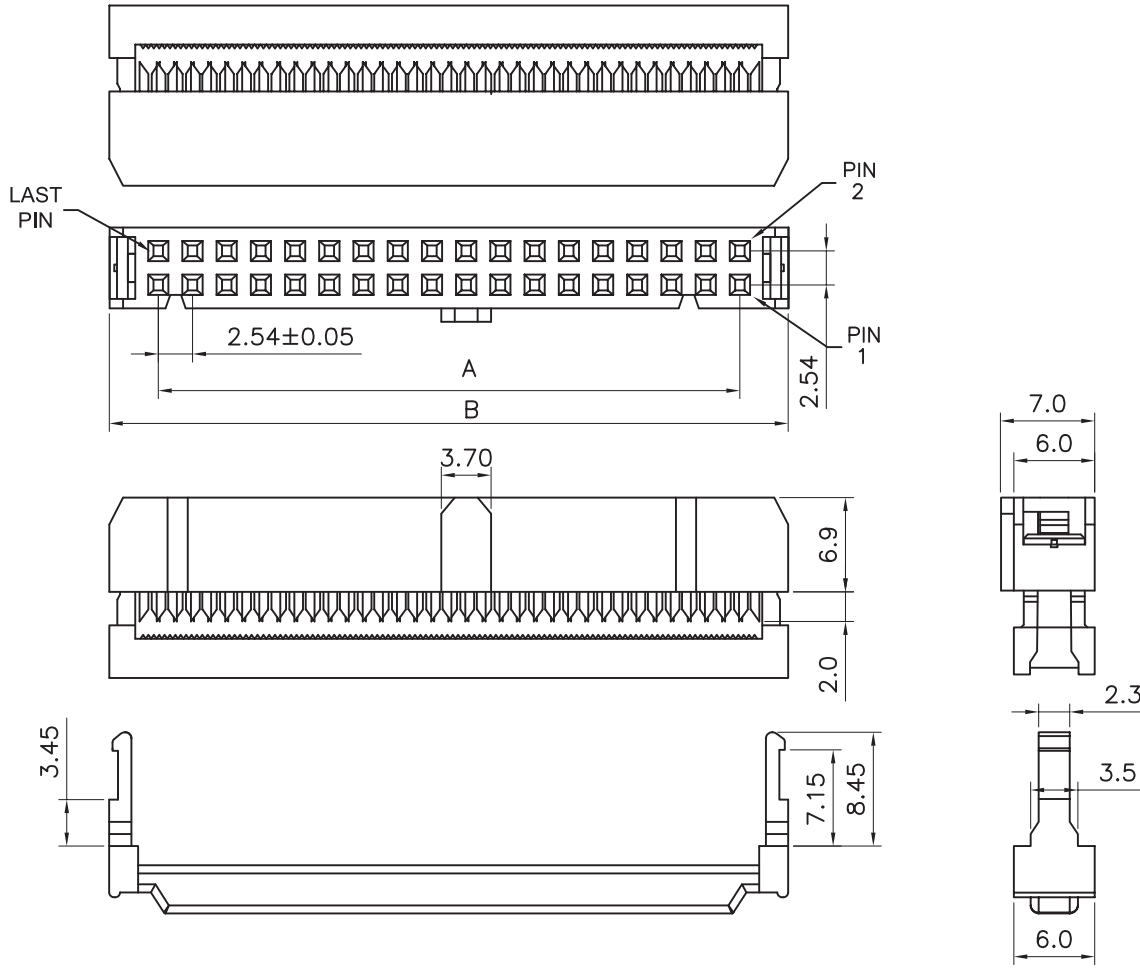


1 2 3 4 5



TECHNICAL CHARACTERISTICS

MATERIAL
 INSULATOR: PBT
 FLAMABILITY RATING: UL94-V0
 COLOR: BLACK
 CONTACT MATERIAL: COPPER ALLOYS
 CONTACT TYPE: STAMPED
 CONTACT PLATING: SELECTIVE GOLD
 QUALITY CLASS: 3 AS PER CECC 75 301-802
 PITCH: 2.54MM
 AWG: 28

ENVIRONMENTAL
 OPERATING TEMPERATURE: -40 UP TO 125°C
 COMPLIANCE: LEAD FREE AND ROHS

ELECTRICAL
 CURRENT RATING: 1A MAX
 WORKING VOLTAGE: 250V AC
 INSULATOR RESISTANCE: >1000 MOHM
 DIELECTRIC WITHSTANDING VOLTAGE: 500V AC/MN
 CONTACT RESISTANCE: 20 mOHM MAX

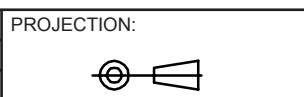
STANDARD
 CERTIFIED: E323964 / MODEL NUMBER 612-230

PACKAGING
 TRAY + BAG FOR STRAIN RELIEF

DIMENSION

NB. PINS	A	B	NB. PINS	A	B
6	5.08	12.30	24	27.94	35.16
8	7.62	14.84	26	30.48	37.70
10	10.16	17.38	34	40.64	47.86
14	15.24	22.46	40	48.26	55.48
16	17.78	25.00	50	60.96	68.18
20	22.86	30.08	60	73.66	80.88
			64	78.74	85.96

RoHS Compliant			
H	22-JUN-12	AWG	GG
REV	DATE	FILE	BY



GENERAL TOLERANCE
 .X = +/- 0.2
 .XX = +/- 0.15



APPROVAL: RJ

UNIT: MM
 SCALE:
 SHEET: 1/2
 DRAW: MIKE

DESCRIPTION: 2.54MM FEMALE IDC CONNECTEUR WITH STRAIN RELIEF
 WERI PART NO: 612 0xx 230 21

SIZE
A4

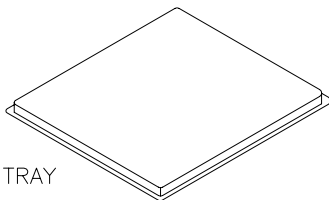
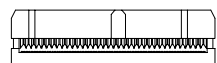
1

2

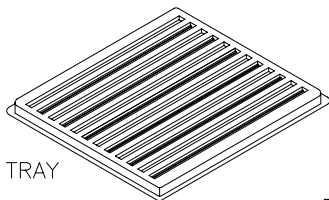
3

4

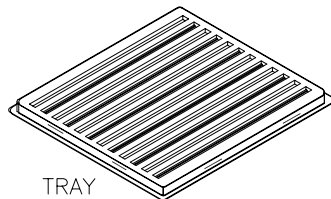
5



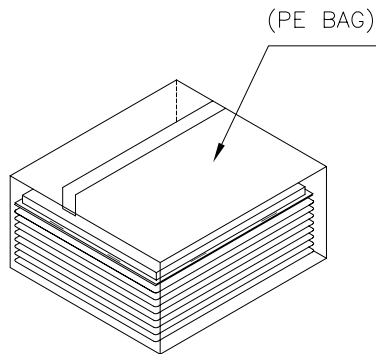
COVER TRAY



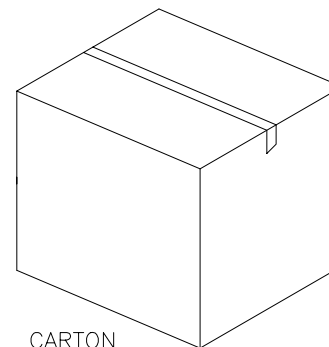
BOTTOM TRAY



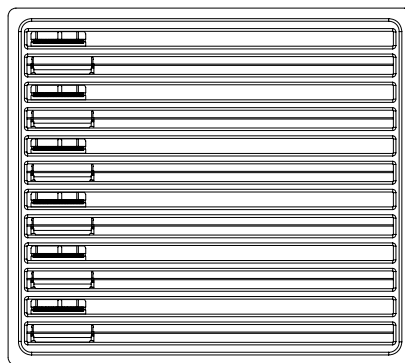
TRAY



XX TRAYS



CARTON



TRAY

Note:

1.Dimension:

Tray Size:310(L)x274(W)x8.5(H)MM

Carton Size: 320(L)x290(W)x380(H)MM

2.Quantity

2 Inner Carton/Carton

CIRCUITS	PCS/TARY	Q'TY	CIRCUITS	PCS/TARY	Q'TY
6	132	5808	24	48	2112
8	114	5016	26	42	1848
10	96	4424	30	36	1584
12	84	3696	34	30	1320
14	72	3168	36	30	1320
15	66	2904	40	30	1320
16	66	2904	50	24	1056
18	60	2640	60	18	792
20	54	2376	64	18	792

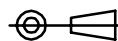
A

B

C

RoHS Compliant

PROJECTION:



GENERAL TOLERANCE

.X = +/- 0.2

.XX = +/- 0.15



APPROVAL: RJ

UNIT: MM

SCALE:

SHEET: 2/2

DRAW: MIKE

DESCRIPTION: 2.54MM FEMALE IDC CONNECTEUR WITH STRAIN RELIEF

WERI PART NO: 612 0xx 230 21

SIZE

A4

G			
F			
E			
D			
C			
B			
A			
REV	DATE	FILE	BY

D