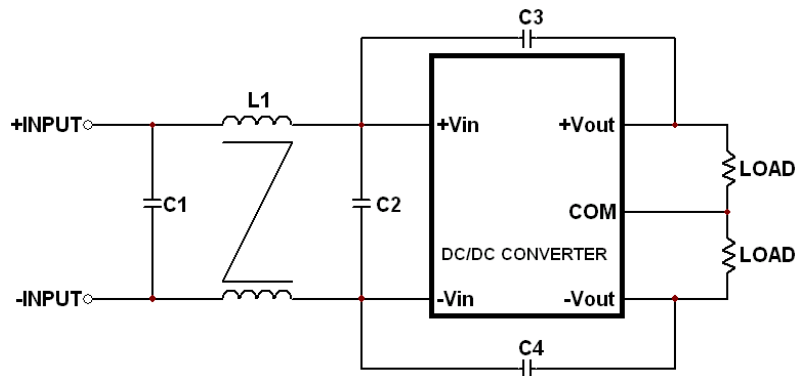
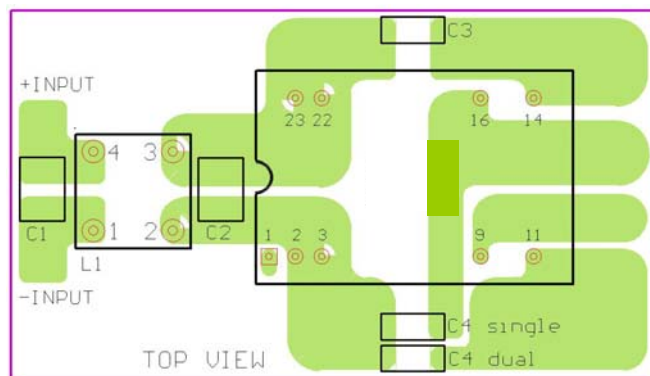


For TEN 8 converters EMI input filter proposal to comply with EN 55022 Class B



Recommended electrical diagram to comply with EN55022 Class B conducted noise emission



recommended layout with input filter

To comply with EN55022 CLASS B conducted noise emissions following components are required:

TEN 8-12xx

Component	Value	Voltage	Reference
C1	4.7 μ F	50V	1812 MLCC
C3 & C4	1000pF	2KV	1206 MLCC
L1	325 μ H	----	Common Mode Choke, P/N: TCK-050

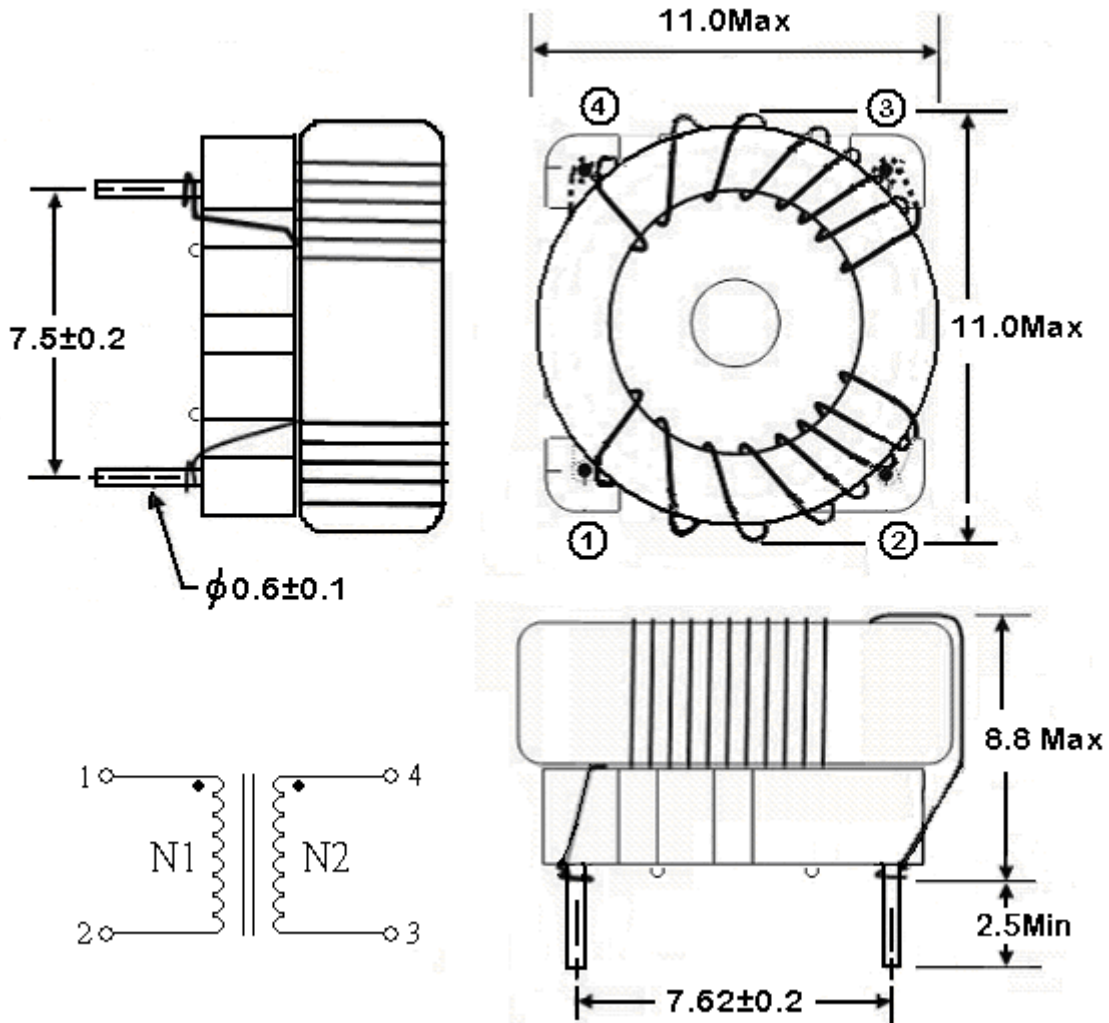
TEN 8-24xx

Component	Value	Voltage	Reference
C1	6.8 μ F	50V	1812 MLCC
C3 & C4	1000pF	2KV	1206 MLCC
L1	325 μ H	----	Common Mode Choke, P/N: TCK-050

TEN 8-48xx

Component	Value	Voltage	Reference
C1 & C2	2.2 μ F	100V	1812 MLCC
C3 & C4	1000pF	2KV	1206 MLCC
L1	325 μ H	----	Common Mode Choke, P/N: TCK-050

TCK-050



All dimensions in mm

SPECIFICATIONS

Common Mode Choke TCK-050

Inductance	Pin 1-2: 325µH ±35% Pin 3-4: 325µH ±35%
	Test Condition: 100KHz/100mV Measurement Instrument: HP 4263B LCR Meter
Impedance	DCR (max.): 35mΩ
	Measurement Instrument: Agilent 34401A Meter
Rated Current	Idc (max.): 3.3A
	Measurement Instrument: Agilent 34401A Meter
Recommended Through Hole	Φ 0.8mm