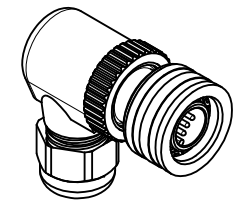
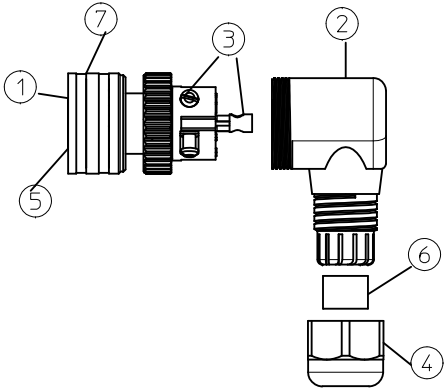
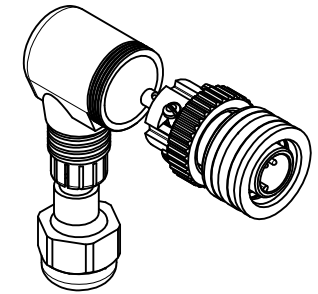


CABLE RANGE PG7
 Ø2.5 - Ø6,5mm



ITEM	COMPONENT	MATERIAL	FINISH
1	INSERT	PA	BLACK
2	HOUSING	PA	BLACK
3	CONTACT	BRASS / GOLD	CuZn Ni/ Au
4	PG NUT	PA	BLACK
5	O-RING	VITON	RED
6	GROMMET	CR	BLACK
7	ULTRA-LOCK	BRASS /ST.STEEL	NICKEL PLATED

POL	MATERIAL NO.	ENGINEERING NO.
4	1200850007	WA4007-31
5	1200850008	WA5007-31

VOLTAGE RATING: 250 VAC/VDC
AMPERAGE RATING: 4A
PROTECTION CLASS: IP 67/68/69K
OPERATING TEMPERATURE: -25°C / 90°C
UL CERTIFICATION: FILE NO. E152210
CSA CERTIFICATIONS: FILE NO. LR6837

ENTER DESCRIPTION EC NO: WEU2010-0249 DRWN:STAUDIGEL 2010/02/02 CHKD: 2010/02/05 APPR:FPACHER 2010/02/05	QUALITY SYMBOLS	GENERAL TOLERANCES (UNLESS SPECIFIED)	DIMENSION STYLE	SCALE	DESIGN UNITS	THIRD ANGLE PROJECTION
	▼=0 ◻=0	mm INCH 4 PLACES ± --- ± --- 3 PLACES ± --- ± --- 2 PLACES ± 0.05 ± --- 1 PLACE ± 0.1 ± --- ANGULAR ± ---°	MM ONLY	1:1	METRIC	
	DESCRIPTION	DRAFT WHERE APPLICABLE MUST REMAIN WITHIN DIMENSIONS	DRAWN BY: NSTAUDIGEL DATE: 2010/02/02 CHECKED BY: _____ DATE: _____ APPROVED BY: FPACHER DATE: 2010/02/05	TITLE	M12U FA MALE 90 PG7	
	REV		MATERIAL NO.	SEE TABLE	DOCUMENT NO.	MOLEX INCORPORATED SD-120085-003 SHEET NO. 1 OF 1