



Push-pull connectors female fixed socket CCM series



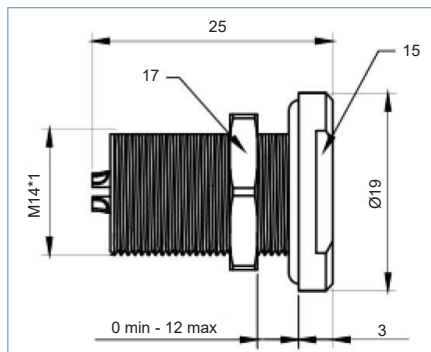
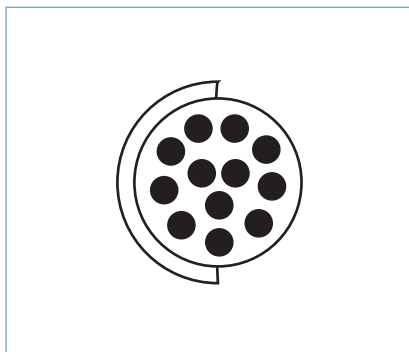
CCM3S1/12 12 pole

- Premium range of circular connectors
- IP68 sealed using vacuum technology (when connected and using environmental cable clamp)
- Tough, high performance interconnection solution
- Compact panel mounting design
- Ideal for harsh and extreme environments
- Suitable for broadcasting, autosport, military, rail, marine, security, industrial and agricultural applications
- Key coded to prevent misconnection
- Will not disconnect when the cable is under load or stress
- Tool slots for secure and tight mounting
- Tested to IEC 60512-3-5a



PART NO.	DESCRIPTION	POLES	SERIES
CCM3S1/12	Female fixed socket	12	CCM series

SPECIFICATION	
Shell style/model	DEU type fixed socket, female contact
Codes	Code 1
Contact type	Solder type
Contact diameter	0.7mm
Max. stranded conductor	AWG 21-22
Max diameter	0.79mm
Vtest (contact-shell)	1400V(AC) 2000V(DC)
Vtest (contact-contact)	1500V(AC) 2200V(DC)
Rated current	4.2A
Rated voltage	≤250V
Mechanical operation	5000 mating cycles
Housing material	Brass (natural chrome plated) shell and collet nut, nickel plated brass latch sleeve and mid pieces
Insulator	PPS
Contacts	Brass (gold plated)
Humidity (max)	≤95% [at 60°C /140°F]
Vibration	15g [10 Hz - 2000 Hz]
Shock resistance	100g [6 ms]
Salt spray corrosion	>72 hr
Climatical category	50/175/21
Shielding (min)	75 dB (10 MHz)
Shielding (min)	40 dB (1 GHz)
IP rating	IP68 (when connected and using environmental cable clamp)



KEY FEATURES

Key coded | Panel mounting socket | Flat face | Face slots for tightening with a tool

ACCESSORIES

Metal and rubber caps for sockets

PART NO.	DESCRIPTION
CCT31	Camcirc metal cap for sockets A3



PART NO.	DESCRIPTION
CCT32	Camcirc rubber cap for sockets A3



ASSOCIATED PRODUCTS

CCA3P1/A12

- CCA Series A3 size plug

page 114

002

PCB TERMINAL BLOCKS

081

TERMINAL STRIPS

095

WIRE TO BOARD CONNECTORS

100

CIRCULAR CONNECTORS

151

IP68 CONNECTORS

158

INTERFACE MODULES AND RELAY BASES