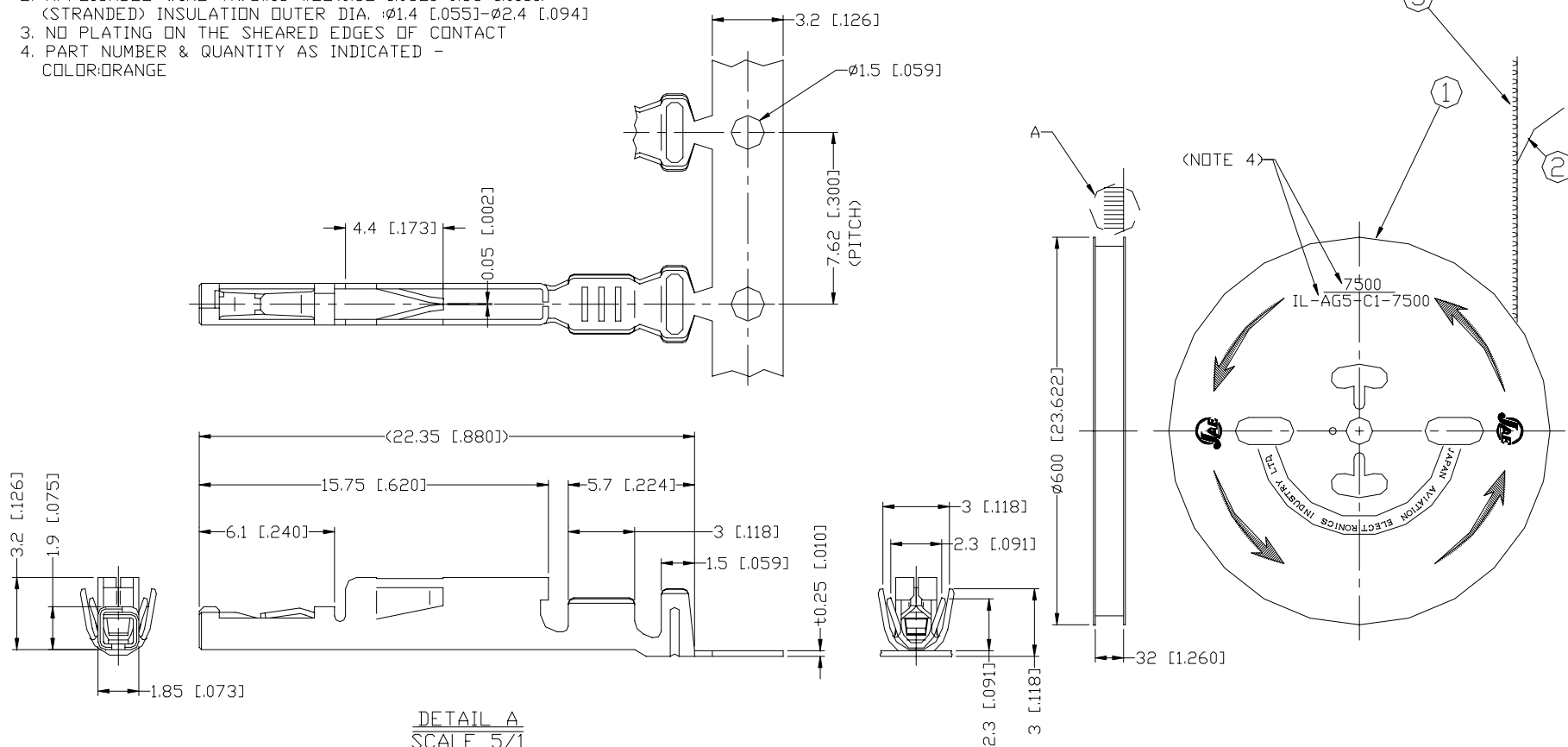


1000-R-RS

DWG NO

REV.	DATE	DESCRIPTION	DRAWN	CHK'D	APPD.	APPD.
	/ /	SEE CN				

- NOTE: 1. APPLICABLE MATING PIN: 0.64±0.05
 2. APPLICABLE WIRE: AWG#18-#22(0.82 [0.032]-0.33 [0.013])
 (STRANDED) INSULATION OUTER DIA. :Ø1.4 [0.055]-Ø2.4 [0.094]
 3. NO PLATING ON THE SHEARED EDGES OF CONTACT
 4. PART NUMBER & QUANTITY AS INDICATED -
 COLOR:ORANGE




DETAIL A
SCALE 5/1

NO.	DESCRIPTION	QTY.	MATERIAL	FINISH	NOTES
3	SOCKET CONTACT	7500	PHOSPHOR BRONZE	TIN PLATE	-----
2	INTERLEAVING PAPER	1	PAPER	-----	-----
1	MAGAZINE	1	CARDBOARD	-----	-----

All dimensions in millimeters [inches] unless otherwise specified.
 FINISH: Sharp edges and burrs should be eliminated except for special requests.

TOLERANCE:	ANGLE:
. ±	.XX ±
.XX ±	.XXX ±
.XXX ±	OFF CENTER °
	WITHIN °

SPECIFICATION	ORIGINAL DATE	DWG. METHOD	FILE NAME	SCALE	JAE OREGON, INC. 11555 S.W. LEVETON DRIVE TUALATIN, OR 97062  This drawing and related documents cannot be reproduced without the written consent of JAE OREGON, INC.
ASSY DWG NO.	DRAWN:	ACAD R2K	SJR00014R00.DWG	NONE	
MATERIAL	CHECKED:	ILIE GANT	TITLE:		
FINISH/COLOR	APPD:	WALT WATSON	IL-AG5-C1-7500 MAGAZINE ASSEMBLY		
TREATMENT	APPD:	JAN VALENTA	SERIES:	DWG. NO.	REV. 0
	APPD:	P. STOUGHTON			***