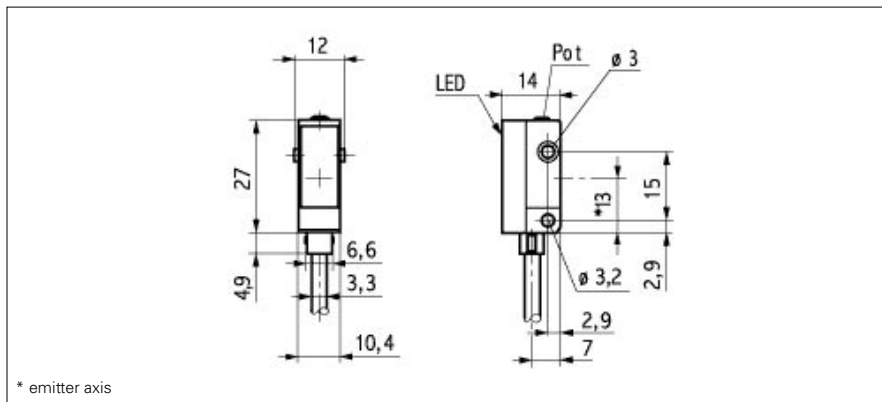


Diffuse sensors with background suppression

FHDK 10N5101

Dimension drawing



General data

Type	background suppression
Light source	pulsed red diode
Sensing distance Tw	20 ... 100 mm
Sensing range Tb (at Tw max.)	5 ... 100 mm
Sensing range Tb (at Tw min.)	5 ... 20 mm
Soiled lens indicator / alignment aid	flashing light indicator
Light indicator	LED yellow
Sensitivity adjustment	mechanical, 5 turn
Wave length	660 nm

Electrical data

Response time / release time	< 1 ms
Voltage supply range +Vs	10 ... 30 VDC
Current consumption max.	33 mA
Current consumption typ.	23 mA
Voltage drop Vd	< 1,8 VDC
Output function	light / dark operate
Output circuit	NPN
Output current	< 100 mA
Short circuit protection	yes
Reverse polarity protection	yes

Mechanical data

Width / diameter	10,4 mm
Height	27 mm
Depth	14 mm
Type	rectangular
Housing material	plastic (ASA)
Connection types	cable

Ambient conditions

Operating temperature	-25 ... +65 °C
Protection class	IP 65

Photo



Connection diagram

