



Auxiliary supply Us			
Auxiliary rated supply voltage DC	VDC	12...48	
Auxiliary operating voltage range DC	min VDC	12	
	Max VDC	48	
Power consumption	Max VA	15	
Power dissipation Max	W	6	
Measuring voltage inputs			
Rated voltage (Ue)	phase-phase VAC	600	
	phase-neutral VAC	347	
Operating voltage range	phase-phase VAC	40...830	
	phase-neutral VAC	5...480	
Voltage inputs operational frequency	min Hz	45 and 360	
	max Hz	66 and 440	
Voltage inputs measurement method	True RMS		
Connection method	Single. Two. Three-phase with or without neutral. Balanced three-phase system. Three-phase ARON.		
Current inputs			
Rated current (Ie)	A	1A/5A	
Measurement range	0.004...6		
Measurement method	TRMS		
Overload capacity	+20% Ie by external CT with 5A secondary		
Overload peak	A	120A for 0.5s	
Accuracy			
	VLN voltage	Class 0.2 (IEC/EN 61557-12), V:50-480V~	
	VLL voltage	Class 0.2 (IEC/EN 61557-12), V:87-830V~	
	Current	Class 0.2 (IEC/EN 61557-12), In:5A~	

POWER ANALYZER WITH WIDESCREEN COLOUR LCD. AUXILIARY SUPPLY 12...48VDC. EXPANDABLE WITH 3 EXP... MODULES, BUILT-IN RS485 AND ETHERNET PORTS, DATA MEMORY FOR LOGGING, COMPATIBLE WITH EASY BRANCH POWER MONITORING SYSTEM

Frequency	Class 0.02 (IEC/EN 61557-12)
Active power	Class 0.5 (IEC/EN 61557-12)
Reactive power	Class 1 (IEC/EN 61557-12)
Active energy	Class 0.5s (IEC/EN 62053-22)
Reactive energy	Class 1 (IEC/EN 62053-24)
THD	Class 5 (IEC/EN 61557-12)
2nd 15th order harmonics	Class 5 (IEC/EN 61557-12)

Insulations

Rated insulation voltage Ui IEC/EN	V	600
Rated impulse withstand voltage Uimp	kV	9.6
Operating frequency withstand voltage	kV	5.4

Functions

Harmonic analysis	63rd order
PLC logic	Yes
Type of communication port	RS485/Ethernet
Ethernet-RS485 gateway function	Yes
Data logging memory	Yes
Neutral/earth current and voltage monitoring	Yes
Statistics of network quality according to EN50160	Yes
EASY BRANCH support	Yes

Mechanical features

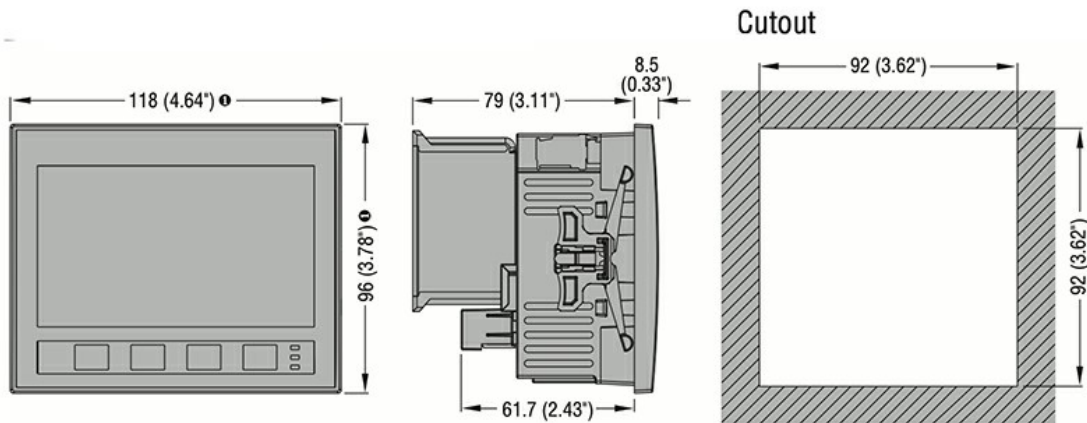
Housing type	Xantar RAL 7035
Terminals type	Removable
Conductor cross section	
	min mm ² 0.2
	Max mm ² 2.5
	min AWG 24
	Max AWG 12

Tightening torque (Max)	Nm	0.5
	lbin	4.5
Fixing	Flush-mounting	
Weight	g	439

Ambient conditions

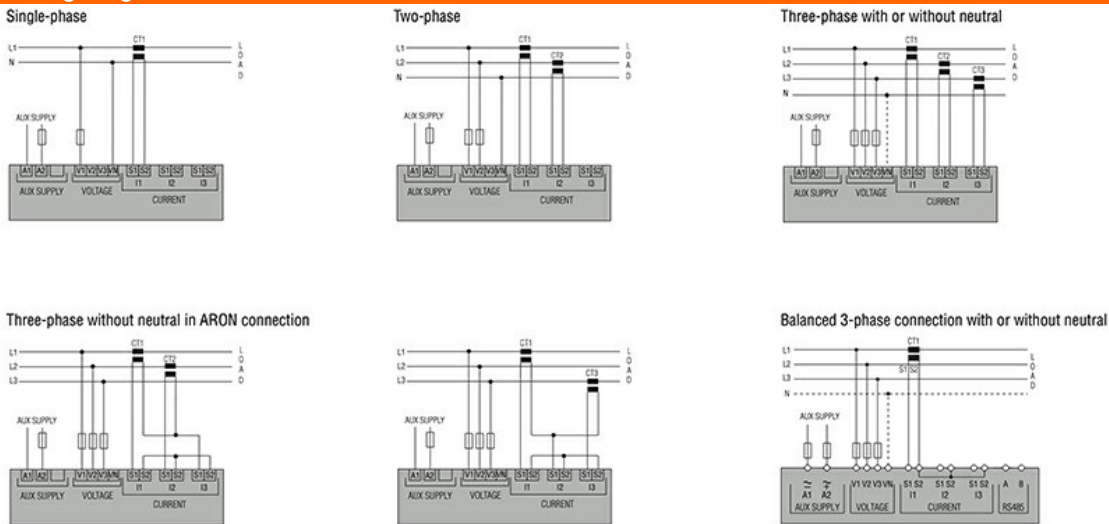
Temperature			
Operating temperature			
	min	°C	-20
	max	°C	+60
Storage temperature			
	min	°C	-30
	max	°C	+80
Relative humidity		%	<80
Maximum Pollution degree			2
Protection degree			IP65

Dimensions

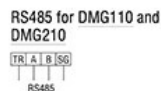


① Dimensions with gasket: 122x100mm/4.80x3.94"

Wiring diagrams



CODE	AUX SUPPLY
DMG100-110-200-210-300	100...240VAC 110...250VDC
DMG6...	100...440VAC 110...250VDC
DMG7000-7500-8000-9000	100...240VAC 110...250VDC



Certifications and compliance

Compliance

- CSA 22.2 No 61010-2-030
- CSA C22.2 No 61010-1
- IEC/EN/BS 61010-1
- UL61010-1
- UL61010-2-030

Certificates

- CE
- UKCA

ETIM classification

ETIM 8.0

EC002301 -
Multifunction
measuring
instrument