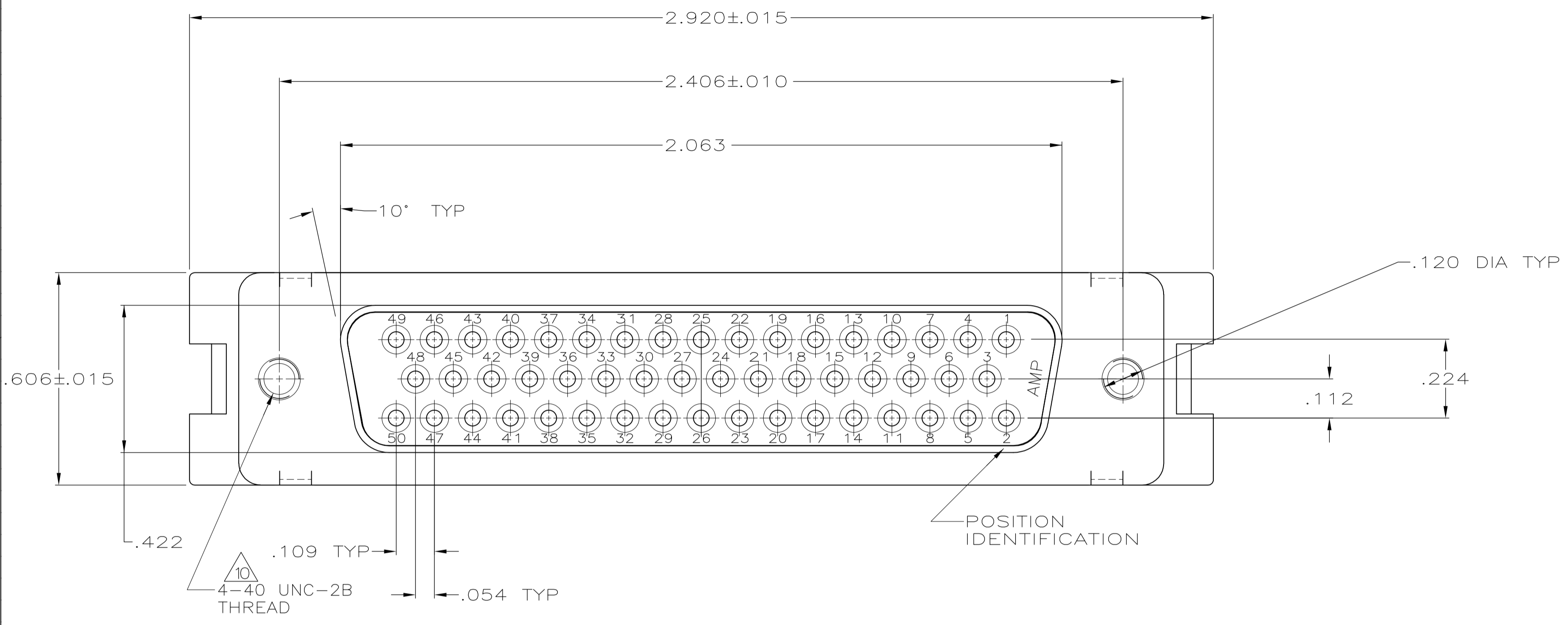
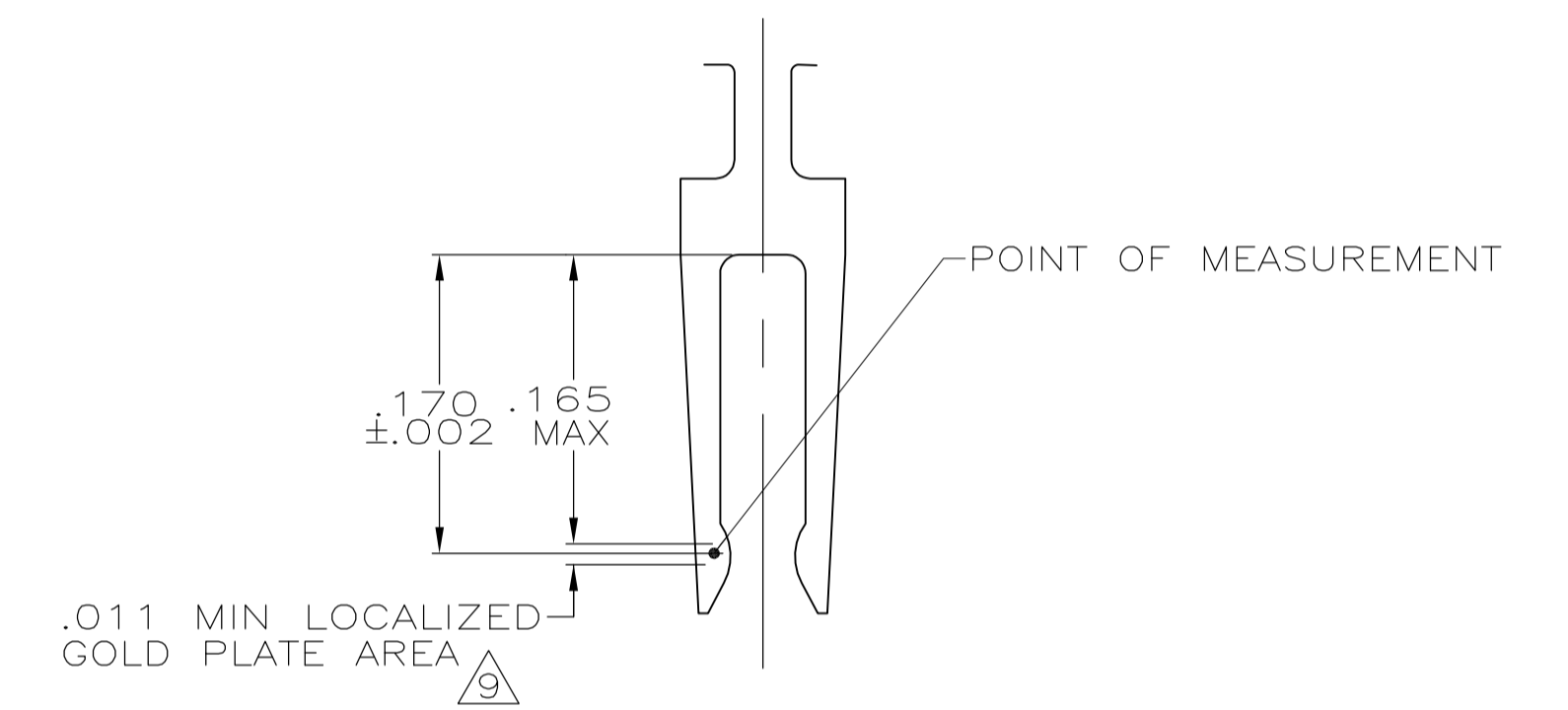
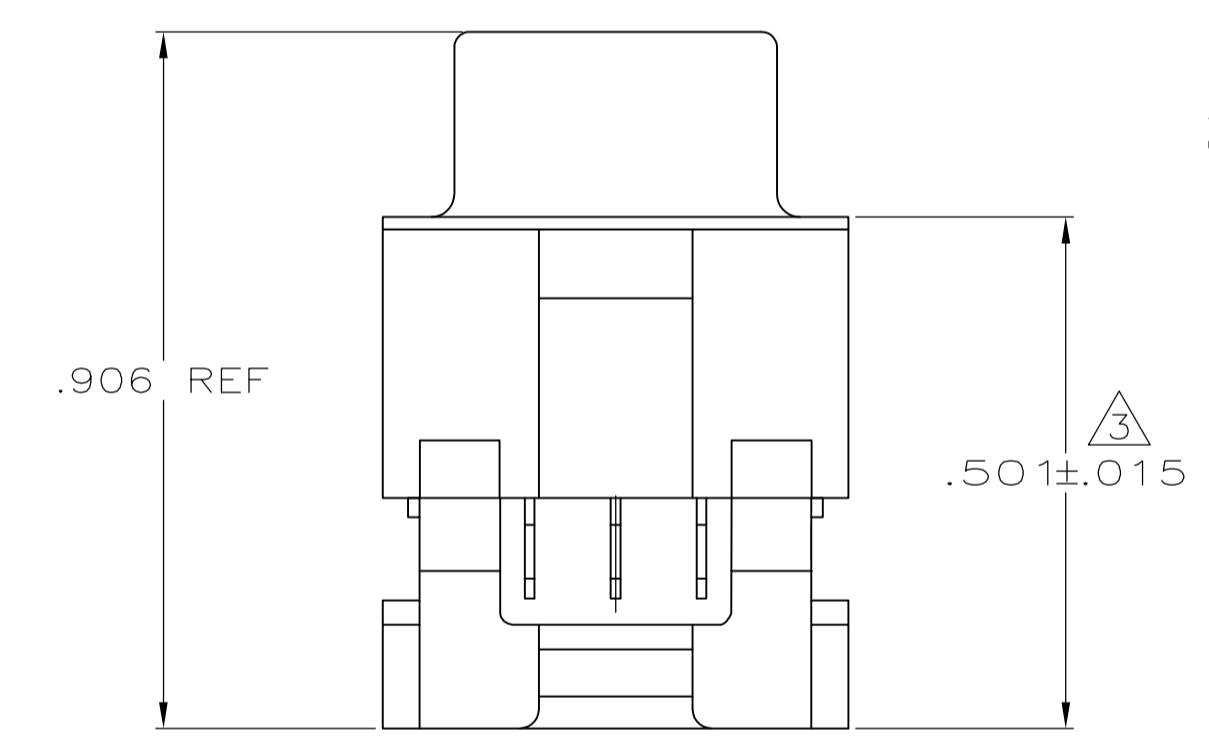
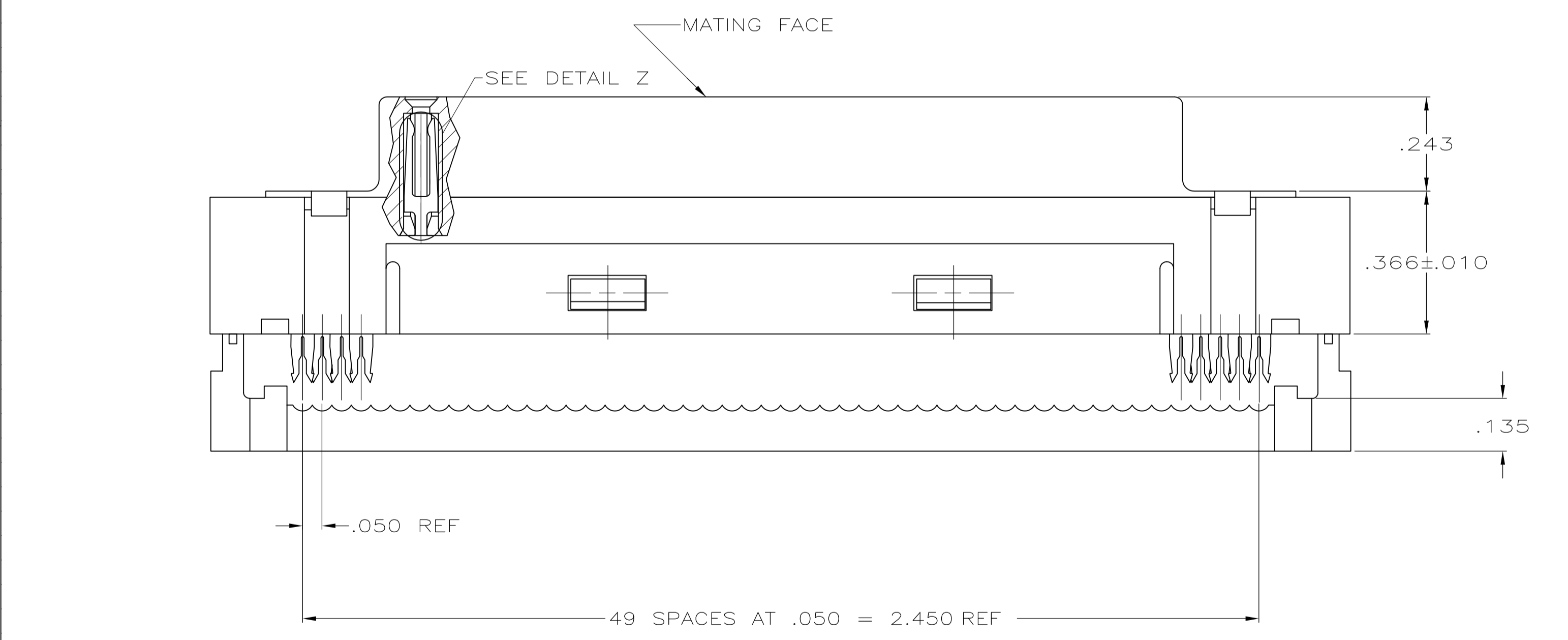


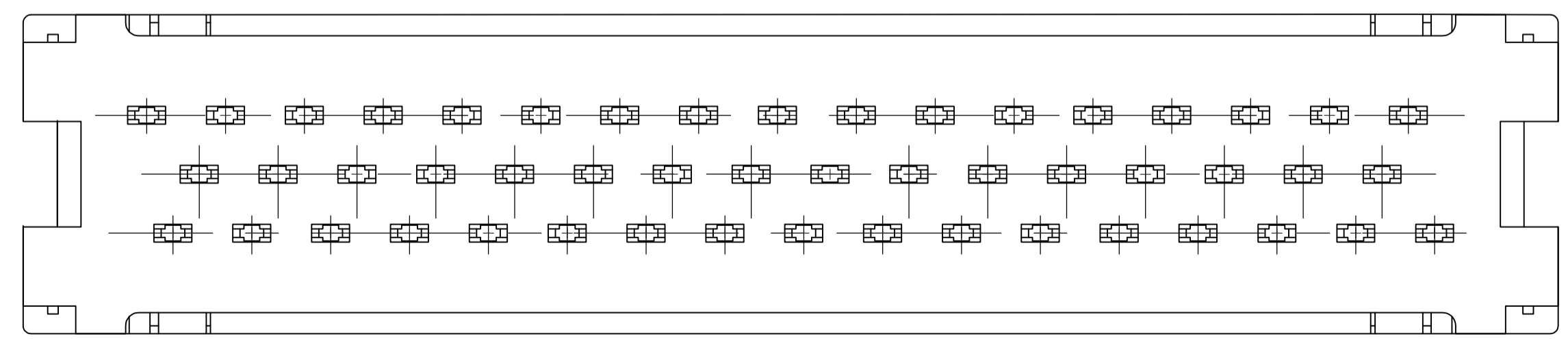
LOC		DIST		REVISIONS			
GP	00	REV	DATE	BY	CHK	APPV	
B1	REVISED PER ECO-11-004835		11MAR11	RK	HMR		



- CONNECTORS COMPLY WITH AMP SPEC 108-40012.
 - CONNECTOR DESIGNED FOR 28 AND 26 AWG STRANDED AND SOLID CONDUCTOR RIBBON CABLE ON .050 ϕ .
- △3 DIMENSION APPLIES TO TERMINATED CONNECTOR.
 △4 MOLDED PARTS:FLAME RETARDANT 94V-0 RATED THERMOPLASTIC; COLOR:BLACK.
 △5 SHELL: STEEL PER QQ-S-698.
 △6 CONTACTS: PH BRZ PER QQ-B-750.
 △7 GOLD PLATING PER MIL-G-45204, TIN PLATING PER MIL-T-10727,NICKEL PLATING PER QQ-N-290.
 △8 SHELL: BRIGHT TIN PLATED.
 △9 CONTACTS: PLATED .000030 GOLD IN LOCALIZED GOLD PLATE AREA,.000100 - .000200 MATTE TIN ON TERMINATION END,ALL OVER .000050 NICKEL ON ENTIRE CONTACT.
 △10 THE MAX SCREW PENETRATION INTO THE CONNECTOR = .312.
 △11 THREADED INSERTS: ZINC PLATED .000150-.000300 THICK, CLEAR CHROMATE COATED.



DETAIL Z
 SCALE 10:1
 ROTATED 180° CW



1658606-1
 PART NO

THIS DRAWING IS A CONTROLLED DOCUMENT.		DIN L BAUM 6/12/03	TE Connectivity	
DIMENSIONS: INCHES		CHK C ROHDE 6/12/03		
TOLERANCES UNLESS OTHERWISE SPECIFIED:		APPV M WALMSLEY 6/12/03	NAME	
0 PLC ± -			RECPT ASSY, HDF, FRONT METAL SHELL	
1 PLC ± -			LEAD-FREE, AMP-LATCH	
2 PLC ± -			APPLICATION SPEC	
3 PLC ± .005			SIZE	CAGE CODE DRAWING NO
4 PLC ± -			A1	00779 C=1658606
ANGLES ± -			WEIGHT	RESTRICTED TO
MATERIAL FINISH		CUSTOMER DRAWING		SCALE NTS SHEET 1 OF 1 REV B1