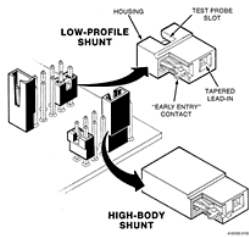


68786-202 - Mini-Jump™ :
2.54 mm (0.1 in.) Centerline,
Low Profile Single Row Shunt
Color White 0.38 μm (15 μin.)
Gold Plating



ACTIVE



www.fci.com

Alternate Products

68786-202LF

Specifications

General

Number of contacts (Total)	2
Number of rows	1
Mating half	0.64 mm (0.025 in.) Square Pins of 3.68 mm (0.145 in.) min. Height
Series Number	68786

Dimensional

Dim A (in)	0.2 in.
Dim A (mm)	5.08 mm
Spacing (Center line)	2.54 mm (0.1 in.)
Height (Housing)	5.08 mm (0.2 in.)

Electrical

Current rating	2.5 amps
Resistance (Contact)	15 milli ohms (Initial), 20 milli ohms (After test)
Resistance (Insulation)	50000 M-ohms min.
Voltage rating	800V AC rms (Sea level)

Mechanical

Durability (Mating cycles)	50
Insertion force	450gf (1lbf) max.
Withdrawal Force	30gf (0.06lbf) min.

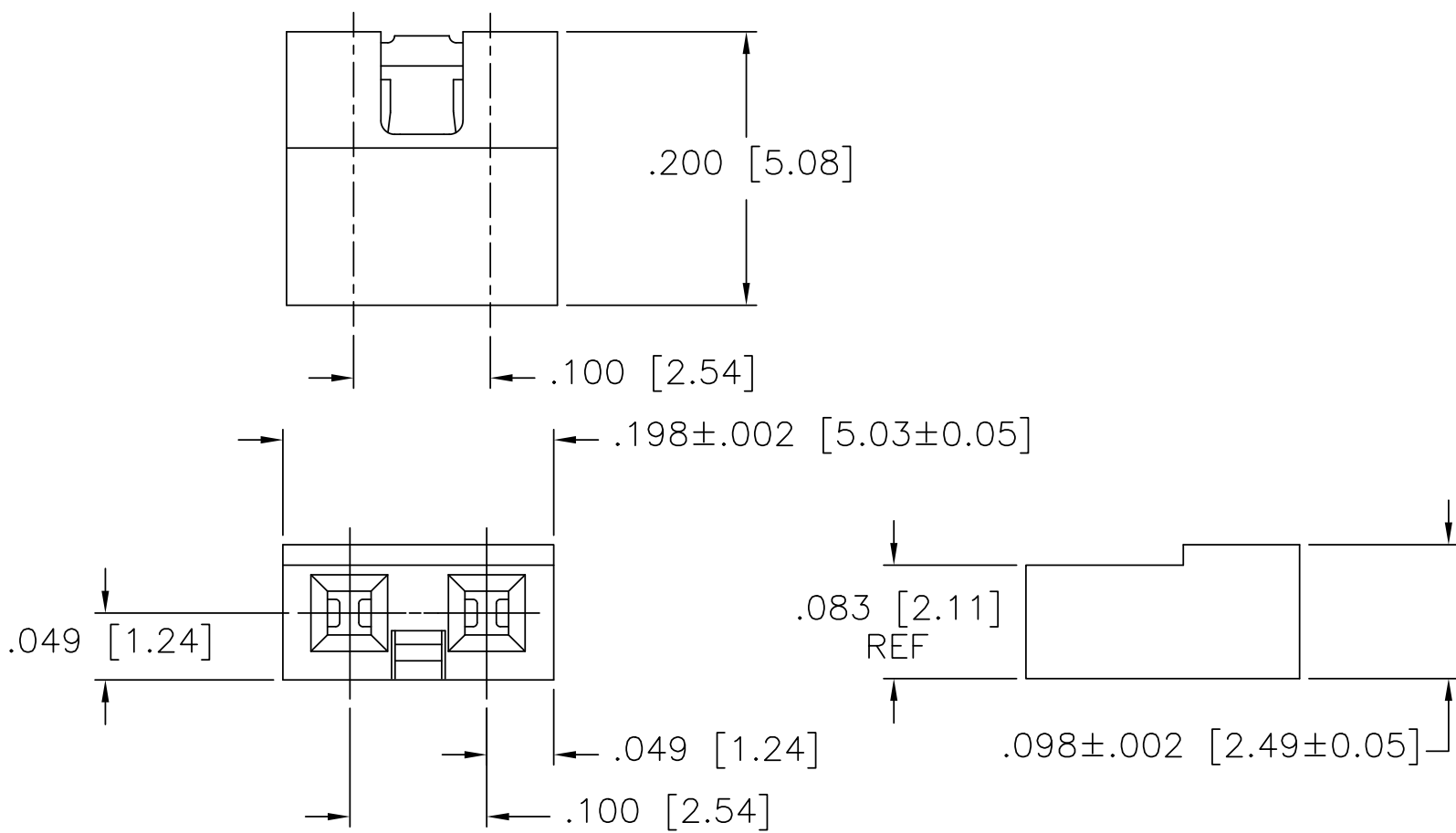
Physical

Color (Housing)	White
Material (Contact)	Copper Alloy
Material (Housing)	Glass-Filled PBT
Plating (Contact area)	0.76 μm (30 μin.) Gold
Underplating (Contact)	1.27 μm (50 μin.) Nickel
Temperature (Range)	-55°C to +120°C

Approvals / Certifications

UL File Number	E66906
CSA File Number	LR46923
Approvals / Certifications	UL and CSA Approved
Other Features	
Packaging (Type)	Bag
Literature	950559-001

PRODUCT NUMBER
SEE TABLE



mat'l. code		surface ISO 1302 ✓		tolerance ISO 406 ISO 1101		projection ASME Y14.5		product family JUMPER	
ltr ecn nldr date		tolerances unless otherwise specified		title		1X2 LOW PROFILE JUMPER ASSEMBLY			
S	BLX-N-011711	JZ	2012-05-04	angles	linear	INCH/MM		dwg no	
L	M05-0205	ERE	9/30/05	0°±2'		scale 1:1		sheet of 2	
M	M06-0238	MN	6/16/06	dr	R.EBY	10/07/87		size	
N	M06-0389	AGS	10/4/06	engr	M.HAHN	10/07/87		A3	
P	M08-0209	MHT	7/18/08	chr	M.HAHN	10/07/87		68786	
R	M09-0065	MHT	4/13/09	appd	M.HAHN	10/07/87		type Product Customer Drawing	
sheet	revisions	S	S						
index	sheet	1	2						

PRODUCT No.	CONTACT PLATING	HSG COLOR	LEAD FREE
68786-102	15u"/.38u Au OR GXT OVER 50u"/1.27u Ni	WHITE	NOTE 4
-202	30u"/.76u Au OR GXT OVER 50u"/1.27u Ni	WHITE	
-302	100u"/2.54u Sn	WHITE	
-402	Au FLASH OVER 50u"/1.27u Ni	BLACK	
-103	15u"/.38u Au OR GXT	BLUE	
-203	30u"/.76u Au OR GXT	BLUE	
-303	100u"/2.54u Sn	BLUE	
-403	Au FLASH OVER 50u"/1.27u Ni	BLUE	
-802	SAME AS -202 EXCEPT ADD SPECIAL MIL MARKING		
68786-204	30u"/.76u Au OR GXT OVER 50u"/1.27u Ni	YELLOW	
68786-304	100u"/2.54u Sn	YELLOW	

OBSOLETE
OBSOLETE
OBSOLETE

NOTES:

- ① MATERIAL: POLYESTER, FLAME RETARDANT PER UL-94-V0 .
2. RECOMMENDED APPLICATION DATA:
 - A. ALL MATING PINS TO BE .025/.64 SQ ON TRUE CENTERS OF GIVEN TERMINAL SPACING WITHIN .015/.38 DIA .
 - B. SUGGESTED MATING PIN LENGTH .160/4.06 MIN .
- ③ ADD "LF" SUFFIX AT THE END OF PART NUMBER FOR LEAD FREE OPTION.
4. THIS PRODUCT MEETS EUROPEAN UNION DIRECTIVES AND OTHER COUNTRY REGULATION AS DESCRIBED IN GS-22-008.
5. THIS PRODUCT IS NOT INTENDED TO BE EXPOSED TO A MANUFACTURING SOLDER PROCESS.
6. PRODUCT SPECIFICATION: BUS-12-071.

mat'l. code		surface ISO 1302 ✓	tolerance ISO 406 ISO 1101	projection 	product family JUMPER
l	tr	ec	n	o	d
s					
date		tolerances unless otherwise specified		title	
		linear	angular	1X2 LOW PROFILE JUMPER ASSEMBLY	
		0°±2'		INCH/MM	
				scale 1:1	
		dr	R.EBY	10/07/87	dwg no
		enr	M.HAHN	10/07/87	sheet 2 of 2
		chr	M.HAHN	10/07/87	size
		app	M.HAHN	10/07/87	A3
				type Product Customer Drawing	
sheet	revision				
index	sheet				

