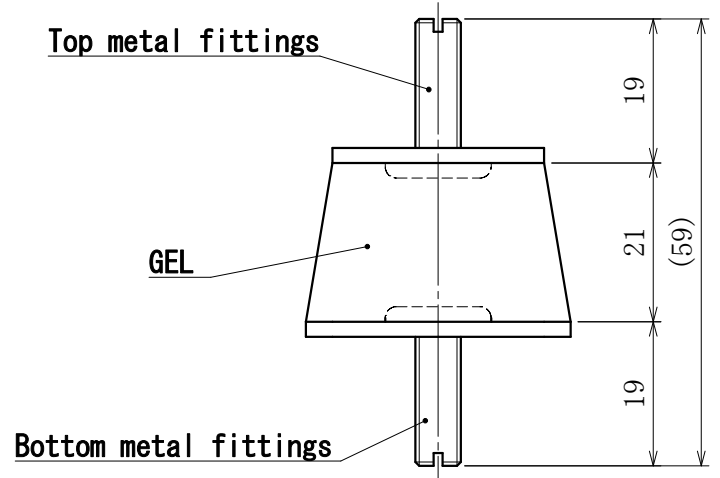


8 7 6 5 4 3 2 1

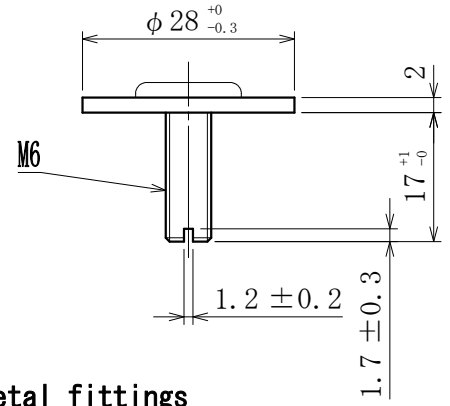
REVISIONS			
REV	DISCRIPTION	INC BY	DATE

D
C
B
A

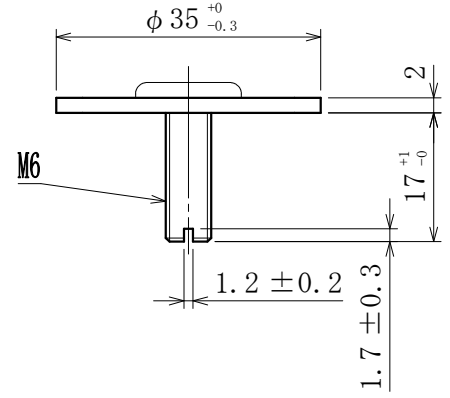
D
C
B
A



Top metal fittings



Bottom metal fittings



NOTE.
Metal fittings material : SS41 (3 values chromate processing)

DRAWN S. NIKAI DO	DATE 2016/6/8	TOLERANCE ***	TITLE θ-TW
CHECKED T. DENO	DATE 2016/6/8	MATERIAL θ-8	DRAWING NO. 16B60
APPROVED T. DENO	DATE 2016/6/8	SCALE 1 / 1	
THIRD ANGLE PROJECTION 			

8 7 6 5 4 3 2 1