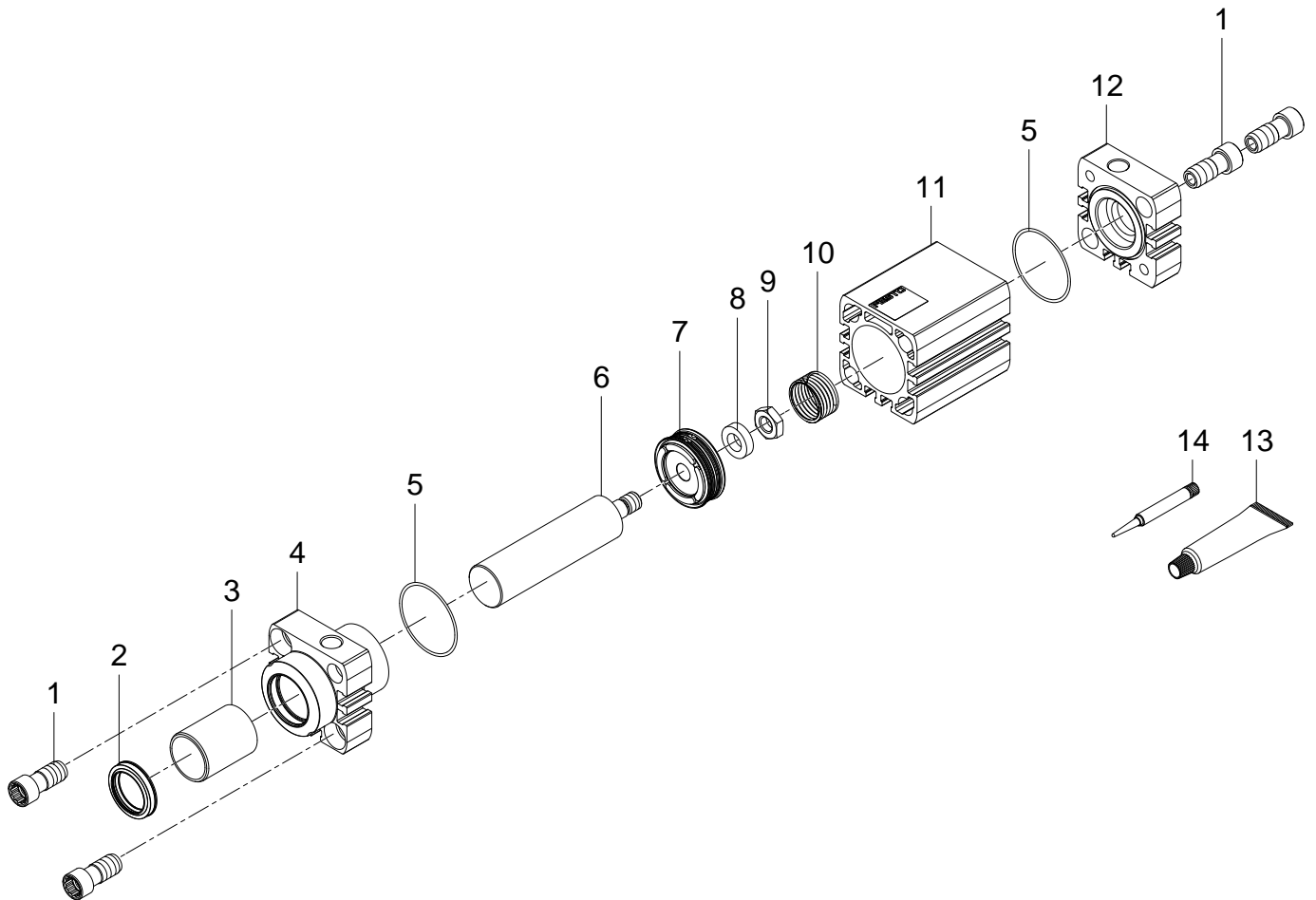


576096 DFSP-32-15-S-PA Stopper cylinder - Series: All



576096 DFSP-32-15-S-PA Stopper cylinder - Series: All

Pos.	Part no.	Type	Note	Qty.	Unit
A	8005117	DFSP-...-32 Set of wearing parts	Spare parts: 2, 5, 7, 13, 14	1	PC
1	658856	ADN-32/40 flange screw	Tightening torque 27 Nm / 19.9 lbf ft	4	PC
2	359748	WIFC1-20X25X4,6-TPE-U Wiper seal	Grease using during assembly. See position 13	1	PC
3		XSM-2023-30 Plain bearing	Not available Grease using during assembly. See position 13	1	PC
4		DFSP-32 Bearing cap	Not available	1	PC
5		B-31,8X1-N-NBR75 O-ring ISO3601	Not available separately, see position A Grease using during assembly. See position 13	2	PC
6		DFSP-32-X-S Piston rod	Not available Grease using during assembly. See position 13	1	PC
7		BA-K10E-032-A Complete piston	Not available separately, see position A Grease using during assembly. See position 13	1	PC
8	339835	8,4 X 15 X 4 Ring		1	PC
9	200602	DIN 439-B-M8-04 Hex nut	Tightening torque 9.2 Nm / 6.8 lbf ft Use locking compound. See position 14	1	PC
10		DFSP-32 Compression spring	Not available	1	PC
11		DFSP-32-X Cylinder barrel	Not available Grease using during assembly. See position 13	1	PC
12		ADN-32 End cap	Not available	1	PC
13	684474	LUB-KC1 SILIKONFREI 20ML Lubricating grease		1	PC
14	8181256	CYBERBOND TM44 TB1ML Adhesive bonding agent		1	PC