

Features

- High conductivity
- Corrosion resistant
- Vinyl insulated
- Vibration resistant

RS PRO Red Double Crimp Ring M10

RS Stock No.: 0677148



RS PRO is the own brand of RS. The RS PRO Seal of Approval is your assurance of professional quality, a guarantee that every part is rigorously tested, inspected, and audited against demanding standards. Making RS PRO the Smart Choice for our customers.

Ensure reliable and safe electrical connections with our high-quality insulated double copper sleeve terminals. These terminals provide superior conductivity feature a protective tin plating to resist corrosion. The durable insulation adds an extra layer of safety, preventing short circuits and ensuring long-lasting performance. Their dual-grip design provides a secure hold, even under high vibration, making them ideal for demanding applications.

General Specifications

| | |
|------------------|-----------------------|
| Type | Double Copper Sleeved |
| Connector Type | Ring |
| Contact Plating | Tin |
| Contact Material | Copper |

Electrical Specifications

| | |
|---------------------|--------------|
| Insulation Material | PVC |
| Stud Size | M8 |
| Wire Entry | 5mm 12-10AWG |

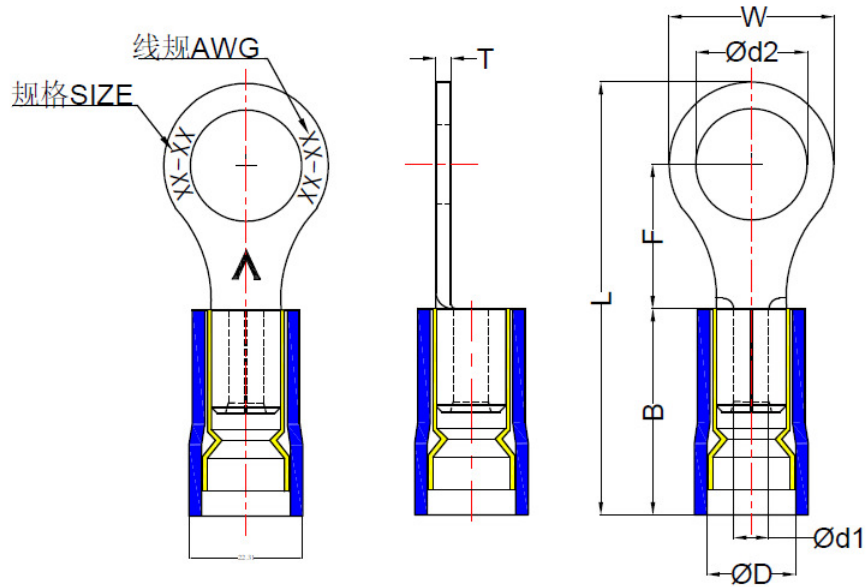
Operation Environment Specifications

| | |
|--------------------|----------|
| Temperature Rating | 75°C max |
|--------------------|----------|

Approvals

| | |
|---------------------------|-----------------|
| Compliance/Certifications | REACH, RoHS, UL |
|---------------------------|-----------------|

| | |
|--------------|--|
| Declarations | |
|--------------|--|



Drawing Specifications

| | |
|--------|--------|
| Od2 | 10.5mm |
| W | 15.0mm |
| F | 13.5mm |
| L | 35.0mm |
| B | 14.0mm |
| OD | 6.8mm |
| Od1 | 3.4mm |
| T | 1.0mm |
| Size | 5-10 |
| AWG | 12-10 |
| Colour | Yellow |