

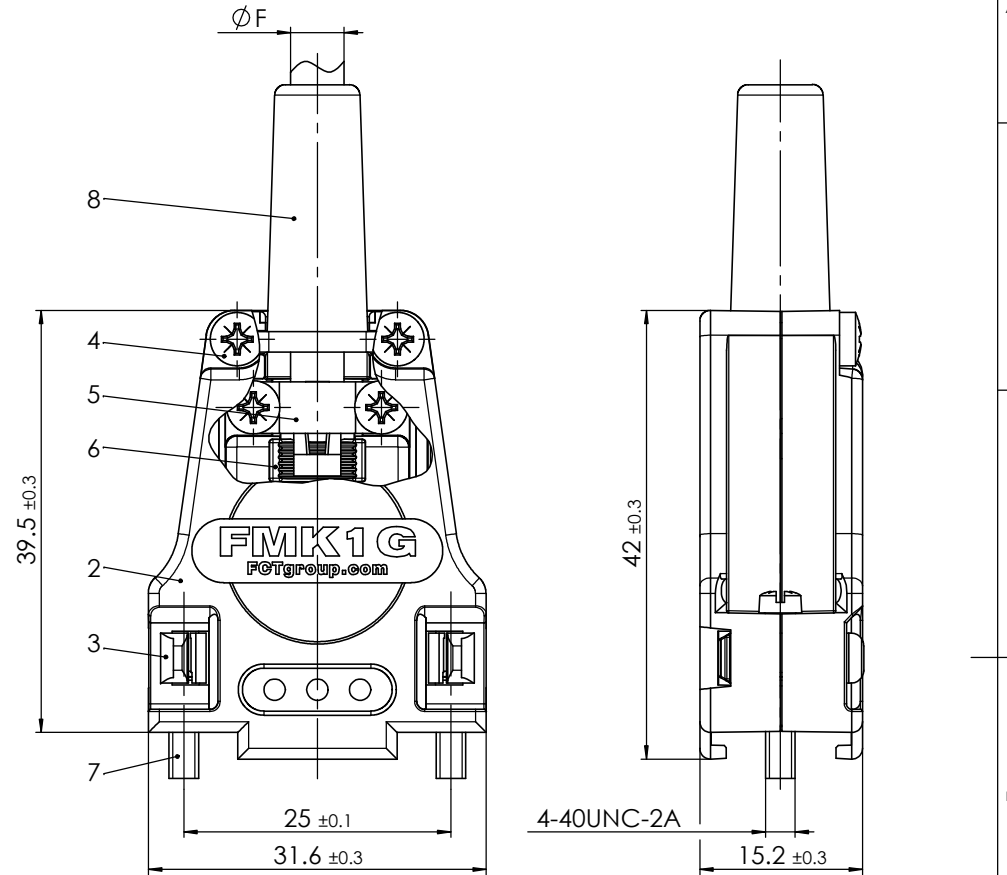
reverse side
1 : 1

RoHS compliant

Packing unit on supplement AM0411

max. torque are 40 Ncm
Part-No. 8, 9 and 10 not mounted

øF1 = Cable diameter without rubber bushing ø3 - ø9.5mm
øF2 = Cable diameter with rubber bushing max. 6.5mm



No.	St.	Part	Type Description / Material	Surface plating / Colour / Class
10	1	High power contact	FMP006S204	AuroPur / 20A / AWG 12-16
9	1	High power contact	FMP006P204	AuroPur / 20A / AWG 12-16
8	1	Rubber bushing	TPE	black
7	2	Locking screw	FVS1/5-K1163 4-40 / Steel	nickel plated
6	1	Strain relief	ABS	nickel plated
5	1	Cable clamp	Steel	tin plated
4	4	Screw	Case hardened steel	zinc plated
3	2	Catch spring	PEI	black
2	1	Hood	FMK1G / Zinc die-cast	nickel plated
1	1	Mixed-Layout Connector	F2W2PC-K120	
			Type Description / Material	Surface plating / Colour / Class

Measurement without tolerance occ. to ISO 2768-m		SCALE	TITLE
		2:1	Hood Connector Set
DRAWN		NAME / DATE	
CHECKED		ameyererrichte 11-04-2016	
		BWiitek 27-07-2016	
1		DWG.NO.	REV.
		FMK1G-2W2PCA-5908	1
REV.	DATE	CH.-NO.	PAGES 1

COMMENT: ALL RIGHTS ARE RESERVED BY US FOR THIS DRAWING. WITHOUT OUR PRIOR CONSENT, IT IS NOT ALLOWED TO REPRODUCE, COPY, TRANSMIT OR OTHERWISE DISSEMINATE THIS DRAWING AND IT ALSO MAY NOT BE IMPROPERLY USED BY THE RECEIVER, OR A THIRD PARTY.