

Mobile Plastic distributor with rack, handle, RCBO, 2m power cord 32A

Item no.: 0520x0202005



Safe standing, comfortable to carry and easy to store

Distributor can be taken off the rack, additional mounting possibilities for wall installation

Robust and shockproof cover made of high-quality ABS plastic

Protective switchgear below lockable, shockproof cover made of polycarbonate

Features: sockets with hinged lids 4 x 16A/230V, 1 x 16A/400V, 1 x 32A/400V

Safety (ABB): 1 x circuit breaker 3 pole, 4 x circuit breaker 1 pole, RCD 40A/400V type A 30mA

2m power cord H07RN-F 5G 6,0mm² with CEE plug 32A, 400V, 5-pole, 6h

Increased safety due to high-quality plug ins

All external metal parts are made of stainless materials

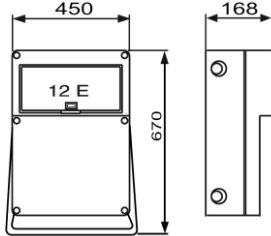

Made in Germany, 100% checked, all wired distributors are individually checked

Safety class: IP 54



Mobile Plastic distributor

Technical data

<p>Output:</p> <p>1 x CEE 32 A, 400 V~</p> <p>1 x CEE 16 A, 400 V~</p> <p>4 x socket (type E) 230 V~</p> <p>Safety:</p> <p>none</p> <p>1 x circuit breaker 16 A, 3-pole, C</p> <p>4 x circuit breaker 16 A, 1-pole, C</p> <p>With RCD switch 40 A, type A ,</p> <p>400 V~,</p> <p>4-pole, 0,03 A via all outputs</p>	
<p>Input:</p> <p>CEE plug 32A, 400V, 5-pole, 6h</p> <p>with 2m power cord H07RN-F 5G 6,0mm² in black</p> <p>Weight: 7,47 kg</p> <p>Safety class: IP54</p> <p>Protection class: II</p>	
<p>Item no. 0520x0202005 EAN 4012096010487 PU 1</p>	<p>670 x 450 x 168 mm</p> <p>Dimensions (L x W x H)</p>