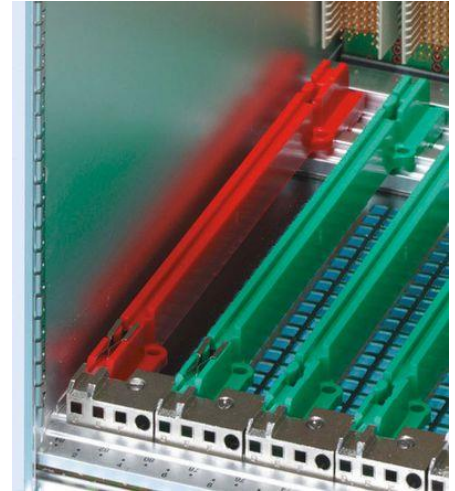


# Datasheet

## Grey PCB guide, 160mm

RS Stock number 367-1649

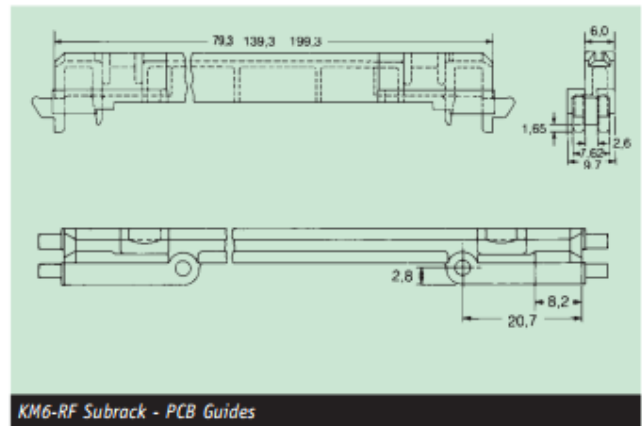


### KM6-RF Subrack - PCB Guides

- IEC60297-3 and IEEE1101.10 compliant
- Bolt down facility for added strength
- 100,160 and 220 single part, 1,6mm thickness
- Three part version for other lengths
- UL94-V1 and V0 versions
- Red 160 version for CompactPCI™ system slots
- PCB grounding clip IEEE1101.10

#### Contents of kit

Item/Description	Material/Finish
	UL94 flammability rating / yellow cardno.
Guides, Pack of 10	Luranyl 2452/1, green V1 / E41871 Noryl HF185, lt grey V0 / E45329(R) Noryl HF185, red V0 / E45329(R)



#### Ordering information

UL94-	Colour	PCB length	Order code
V1	Green	100mm	950-242850B
V1	Green	160mm	950-232662J
V1	Green	220mm	950-232663G
V0	Light grey	160mm	950-277491E
V0	Light grey	220mm	950-277494K
V0	Red	160mm	950-277496F