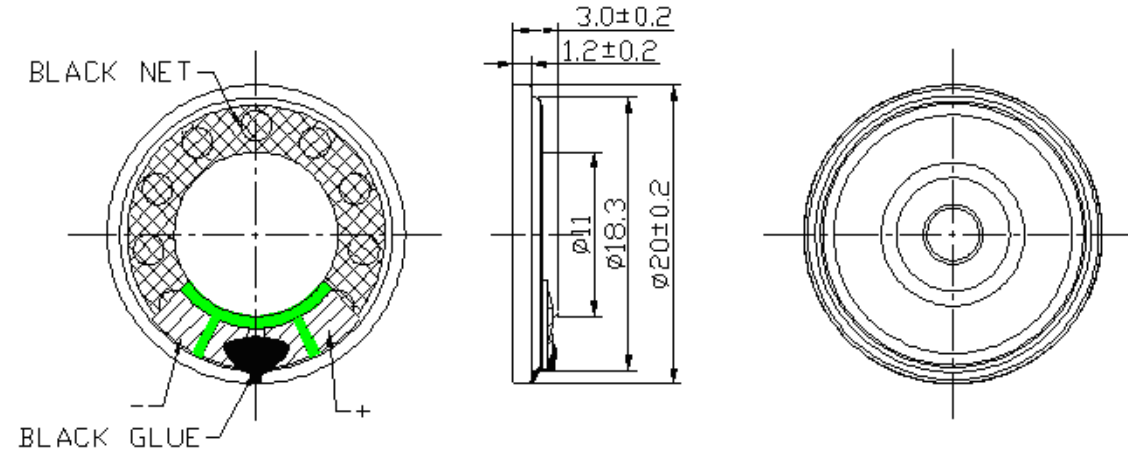


ABS-245-RC 8OHM, 20x3tMM DYNAMIC SPEAKER

SPEAKERS

Specifications

	ABS-245-RC
Rated impedance	8±15%Ω/2KHz/1V
Rated power	0.5W
Maximum power	0.8W
Resonant frequency	500±20%Hz/1V
Sound pressure level at (AVG 0.8, 1.0, 1.2 1.5)KHz 0.1W/0.1m baffle board (IEC)	86±3dB
Frequency range	f0Hz-10KHz
Total harmonic distortion	5% Max at 1KHz/0.5W
Flux density	0.6T
Operating temperature	-20°~+60°C
Storage temperature	-30°~+60°C
Weight	2.4g
Voice coil diameter	ø8.7mm
Magnet size (NdFeB)	ø7.5x1.0tmm



Dimensions Unit: mm
specified tolerance: ±0.3mm

Part Name	Qty	Material
Frame	1	SPCC
Diaphragm	1	Black PET
Voice coil	1	Self bonding wire
Plate	1	SPCC
Magnet	1	NdFeB
PCB	1	Epoxy



ALAN BUTCHER COMPONENTS LTD

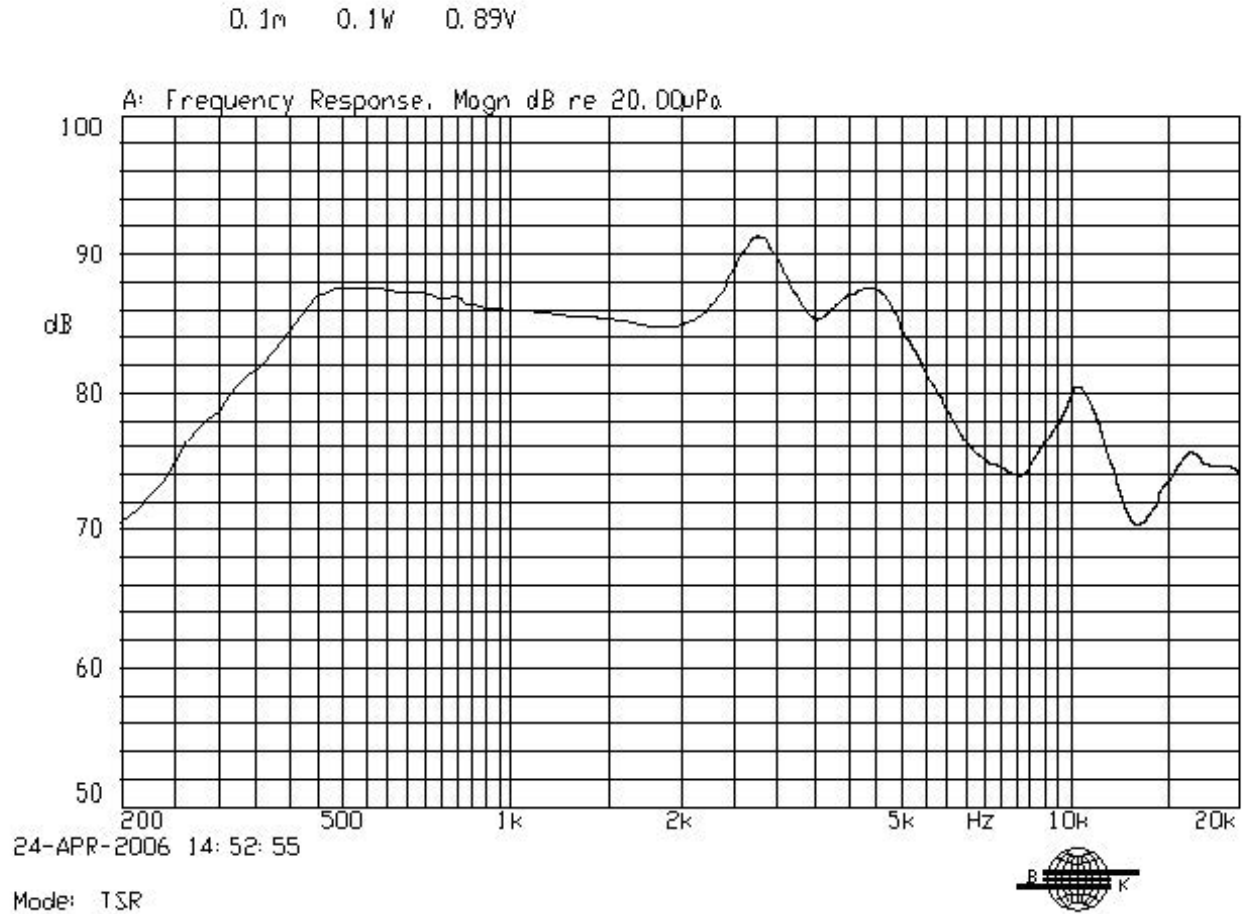
Alan Butcher Components Ltd

Unit 1 Beechwood Clump Farm Industrial Estate Tin Pot Lane Blandford Dorset DT11 7TD

Telephone 01258 456360 Facsimile 01258 459194 Email sales@abcomponents.co.uk

www.abcomponents.co.uk

Frequency response curve:



Alan Butcher Components Ltd
Unit 1 Beechwood Clump Farm Industrial Estate Tin Pot Lane Blandford Dorset DT11 7TD
Telephone 01258 456360 Facsimile 01258 459194 Email sales@abcomponents.co.uk
www.abcomponents.co.uk