



Connectors > Rectangular Connectors > Rectangular Contact Inserts



Contact Type: **Screw**  
 Pole Configuration: **16+PE**  
 Number of Positions: **16**  
 Sealable: **No**  
 Wire Size: **14 – 20 AWG**

### Features

#### Product Type Features

Product Type	Contact Insert
Sealable	No

#### Configuration Features

Number of Positions	16
---------------------	----

#### Contact Features

Contact Type	Screw
Pole Configuration	16+PE
Contact Current Rating (Max)	16 A

#### Dimensions

Wire Size	.5 – 2.5 mm <sup>2</sup>
-----------	--------------------------

#### Operation/Application

Circuit Application	Power & Signal
---------------------	----------------

### Product Compliance

[For compliance documentation, visit the product page on TE.com>](#)

EU RoHS Directive 2011/65/EU	Compliant with Exemptions
EU ELV Directive 2000/53/EC	Not Yet Reviewed
China RoHS 2 Directive MIIT Order No 32, 2016	Restricted Materials Above Threshold

EU REACH Regulation (EC) No. 1907/2006

Current ECHA Candidate List: JUL 2019  
(201)Candidate List Declared Against: JAN 2019  
(197)

Pb (3.7% in Pb-Alloy in Copper)

EU REACH Regulation (EC) No. 1907/2006

Current ECHA Candidate List: JUL 2019  
(201)Candidate List Declared Against: JAN 2019  
(197)

Halogen Content

Low Halogen - Br, Cl, F, I < 900 ppm per  
homogenous material. Also BFR/CFR/PVC  
Free

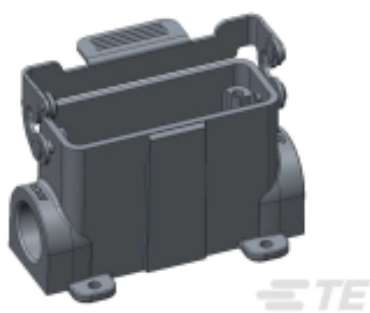
Solder Process Capability

Not reviewed for solder process capability

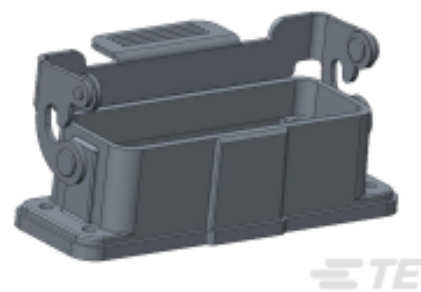
## Product Compliance Disclaimer

This information is provided based on reasonable inquiry of our suppliers and represents our current actual knowledge based on the information they provided. This information is subject to change. The part numbers that TE has identified as EU RoHS compliant have a maximum concentration of 0.1% by weight in homogenous materials for lead, hexavalent chromium, mercury, PBB, PBDE, DBP, BBP, DEHP, DIBP, and 0.01% for cadmium, or qualify for an exemption to these limits as defined in the Annexes of Directive 2011/65/EU (RoHS2). Finished electrical and electronic equipment products will be CE marked as required by Directive 2011/65/EU. Components may not be CE marked. Additionally, the part numbers that TE has identified as EU ELV compliant have a maximum concentration of 0.1% by weight in homogenous materials for lead, hexavalent chromium, and mercury, and 0.01% for cadmium, or qualify for an exemption to these limits as defined in the Annexes of Directive 2000/53/EC (ELV). Regarding the REACH Regulations, TE's information on SVHC in articles for this part number is still based on the European Chemical Agency (ECHA) 'Guidance on requirements for substances in articles' (Version: 2, April 2011), applying the 0.1% weight on weight concentration threshold at the finished product level. TE is aware of the European Court of Justice ruling of September 10th, 2015 also known as O5A (Once An Article Always An Article) stating that, in case of 'complex object', the threshold for a SVHC must be applied to both the product as a whole and simultaneously to each of the articles forming part of its composition. TE has evaluated this ruling based on the new ECHA "Guidance on requirements for substances in articles" (June 2017, version 4.0) and will be updating its statements accordingly.

## Compatible Parts



TE Model / Part #  
T1619161121-000  
[H16A-SGRS-PG21](#)



TE Model / Part #  
T1509161000-000  
[H16A-AGS](#)



TE Model / Part #  
T1519161000-000  
[H16A-ADMS](#)



TE Model / Part #  
T1519162000-000  
[H16A-ADS](#)



TE Model / Part #  
T1619161120-000  
H16A-SGRS-M20



TE Model / Part #  
T1619161125-000  
H16A-SGRS-M25



TE Model / Part #  
T1619161225-000  
H16A-SGRS-2M25



TE Model / Part #  
T1629161120-000  
H16A-SDRMS-M20



TE Model / Part #  
T1629161125-000  
H16A-SDRMS-M25



TE Model / Part #  
T1629161220-000  
H16A-SDRMS-2M20



TE Model / Part #  
T1629161225-000  
H16A-SDRMS-2M25



TE Model / Part #  
T1629163220-000  
H16A-SDRS-2M20



TE Model / Part #  
T1629163225-000  
H16A-SDRS-2M25



TE Model / Part #  
T1739161125-000  
H16A-TBFS-M25



TE Model / Part #  
T1779161120-000  
H16A-TBFHS-M20



TE Model / Part #  
T1779161125-000  
H16A-TBFHS-M25



TE Model / Part #  
T1619161116-000  
H16A-SGRS-PG16



TE Model / Part #  
T1619161216-000  
H16A-SGRS-2PG16




TE Model / Part #  
T1619161220-000  
H16A-SGRS-2M20



TE Model / Part #  
T1619161221-000  
H16A-SGRS-2PG21

### Also in the Series | HDC HA



Rectangular Contact Inserts  
(25)

### Customers Also Bought



## Documents

### Product Drawings

HA-016-F

English

### CAD Files

3D PDF

3D

Customer View Model

[ENG\\_CVM\\_CVM\\_T2010162201-000\\_B.2d\\_dxf.zip](#)

English

Customer View Model

[ENG\\_CVM\\_CVM\\_T2010162201-000\\_B.3d\\_igs.zip](#)

English

Customer View Model

[ENG\\_CVM\\_CVM\\_T2010162201-000\\_B.3d\\_stp.zip](#)

English

### Datasheets & Catalog Pages

[HEAVY DUTY CONNECTORS](#)



English

[Heavy Duty Connectors](#)

English

[HDC Flyers July 2015 \(Chinese\)](#)

[HDC Connectors - July 2015 \(English\)](#)

English

---

**Product Specifications**

[Product Specification](#)

English

---

**Product Environmental Compliance**

[REACH Substance Communication Document](#)

English

---

**Agency Approvals**

[Agency Approval Document](#)

English