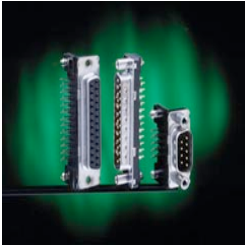


D09P33E4GV00LF - D-Subminiature Delta D : Signal 9 way Pin Right Angle Solder US standard, 200 cycles, Harpoons + Female Screw UNC 4 - 40 + Elec cont., 1.6 mm PCB thickness



www.fci.com

Mating Half

DE09S064TLF

865609SLTLF

Specifications

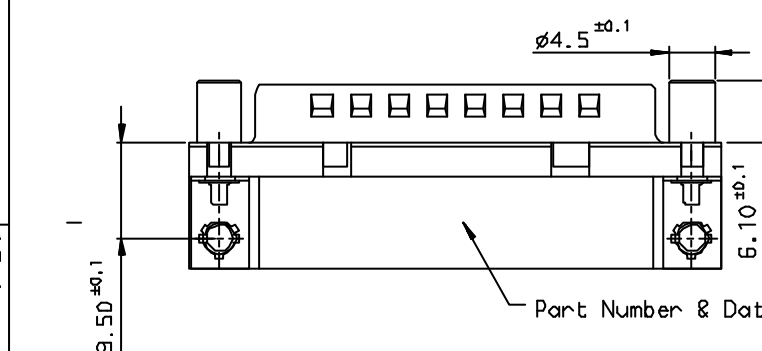
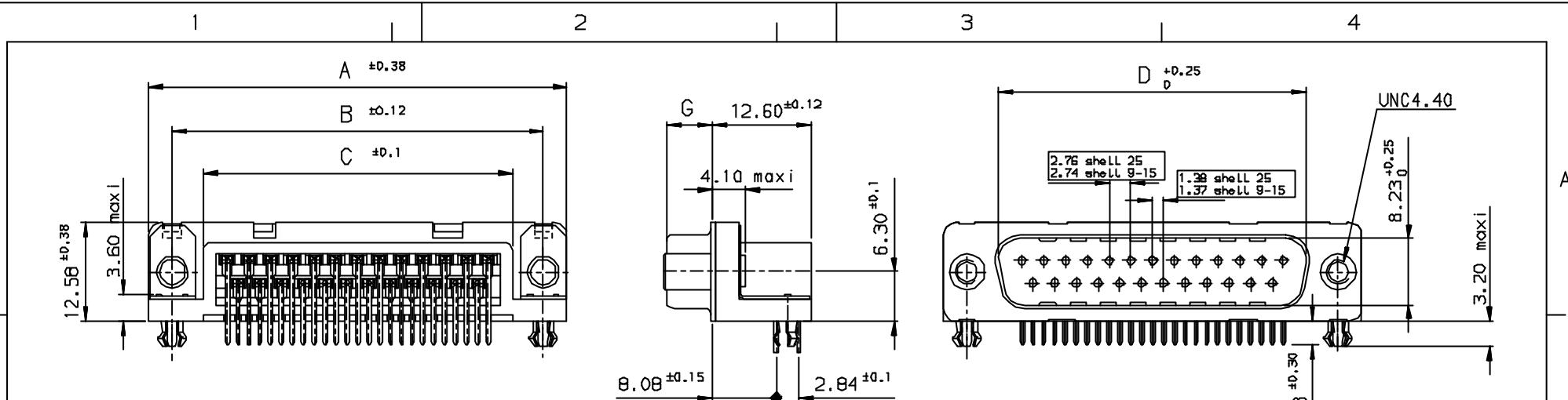
General	
Contact type	Signal
Gender	Pin
Number of contacts (Total)	9
Orientation	Right Angle
Product Type	Connector
Termination Style	Solder
Dimensional	
Size (Shell)	E
Thickness (Board)	1.6 mm
Electrical	
Current rating	5A Per contact
Resistance (Contact)	< 10 milli-ohms
Voltage rating	300V rms at 50 Hz
Voltage rating (DWV - Dielectric withstanding)	1000V rms
Mechanical	
Durability (Plating - Mating cycles)	Std Class (>200 Mating Cycles)
Extraction force (Mating part)	0.3N min. Per contact
Insertion force (Mating part)	5N max. Per contact
Mounting	
Attachment	Board
Mounting accessory	Harpoons + Female Screw UNC 4-40 + Electrical continuity
Termination	US standard
Physical	

Plating (Contact)	Gold over Nickel
Plating (Shell)	Bright Pure Tin over Nickel
Plating (Termination)	Matte Tin over Nickel
Temperature (Operating - range)	-55°C to +125°C
Approvals / Certifications	
Approvals / Certifications	Recognized File E 118235 (R)
Other Features	
Most Popular Configuration	Yes

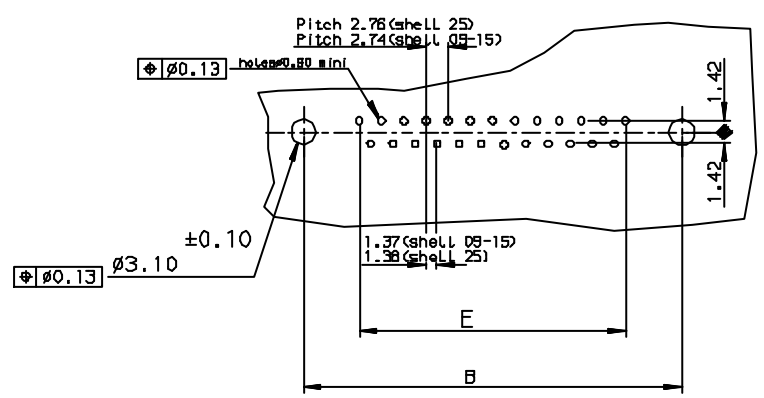
Tous droits strictement réservés. Reproduction ou utilisation sans titre
 interdite sans autorisation écrite de
 la Direction des Conception et
 Production de FCI. Droits de reproduction FCI.

FCI

All rights strictly reserved. Reproduction or use in any
 form without the written authority from the proprietor.
 Property of FCI. Copyright FCI.



PC card drilling dimensions(after plating)
 (thickness 1.60±0.20mm)



PuLL Parts							
SHELL	A±0.38	B±0.12	C±0.10	D±0.25	E±0.07	G±0.25	PART NUMBER
09	30.81	24.99	16.96	16.79	10.96	5.90	D09P33E4GV00**
15	39.14	33.32	25.18	25.12	19.18	5.90	D15P33E4GV00**
25	53.03	47.04	39.12	38.84	33.12	5.70	D25P33E4GV00**

GENERAL CHARACTERISTICS - SEE DRAWING C01-8545-0000

LF FOR LEAD FREE

d	DATE	REVISION DESCRIPTION
1	27/7/05	LEAD FREE DETAILS ADDED

Utr	Eon no	Dr	date
d	105-0124	J5	27/7/05

Dr JOHN SLEEBA 7/4/03		Product Family	II-SUB	Tolerance LINEAR ±0.1 ANGULAR ±1°	Projection	MM
Eng GEORGE VJ 7/4/03		Spec ref			Size A3	Scale
Chr GEORGE VJ 27/7/05		Material			ECN	
Appr K Somasundaram 27/7/05						
FCI		Title MALE CONNECT.DELTA D right angle screwlock,harpoon & metal plate	Dwg no C01-8545-0151	Rev. d		
Catalog no		DELTA-D	CUSTOMER COPY	Sheet 1 of 1		