



Brand of NTN corporation

Technical data

23040EAKW33

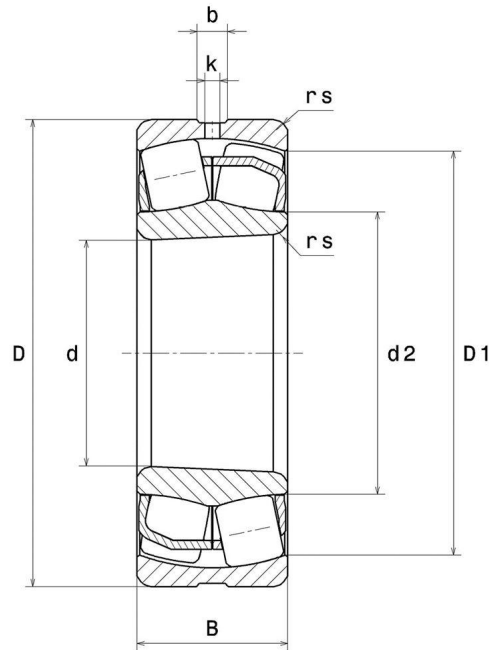
Spherical roller bearings



Spherical roller bearing, pressed steel cage, groove and lubrication holes on outer ring, tapered bore 1:12

ULTAGE

VISUAL (S)

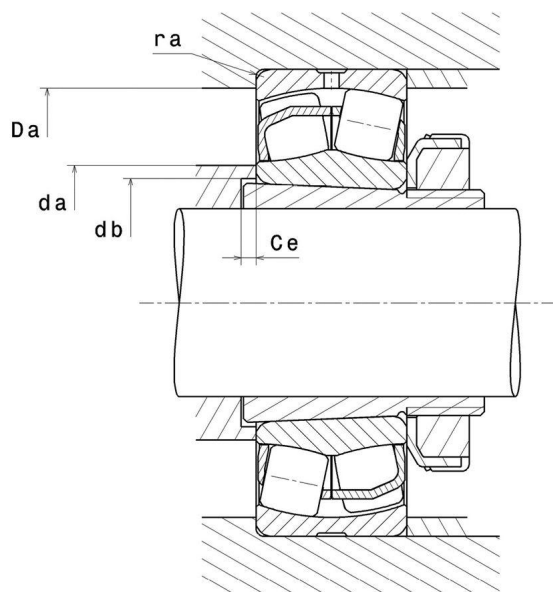


NTN Europe

1 rue des Usines · BP 2017 · 74010 Annecy Cedex · France · Tel. +33 (0)4 50 65 30 00
S.A. au capital de 322 639 919 € · RCS ANNECY B 325 821 072 · Id. Fiscale : FR 48 325 821 072
SIRET 325 821 072 00015 · Code APE 2815 Z · Code NACE 28.15

23040EAKW33

Spherical roller bearings



PRODUCT DEFINITION

Brand	SNR
d - Internal diameter	200 mm
D - External diameter	310 mm
B - Bearing/Inner ring width	82 mm
d2 - External diameter inner ring	225,3 mm
D1 - Inner diameter outer ring	282,3 mm
rs - Min fillet radius	2,1 mm
Number of lubrication holes	3 ou 4
b - Groove width	14,28 mm
k - Hole diameter	7 mm
Associated sleeve reference	H3040
Radial clearance class	CN
Mass	21,9 kg



NTN Europe

1 rue des Usines · BP 2017 · 74010 Annecy Cedex · France · Tel. +33 (0)4 50 65 30 00
 S.A. au capital de 322 639 919 € · RCS ANNECY B 325 821 072 · Id. Fiscale : FR 48 325 821 072
 SIRET 325 821 072 00015 · Code APE 2815 Z · Code NACE 28.15

PRODUCT PERFORMANCE

C - Dynamic load	1310000000 mN
C0 - Static load	1790000000 mN
Cu - Fatigue limit load	164000000 mN
e - Coefficient	0.23
Y0 - Static axial load coefficient	2.89
Y1 - Lower axial load coefficient	2.95
Y2 - Upper axial load coefficient	4.4
N ref - Reference thermal speed	10800 °/s
N lim - Mechanical Limit Speed	13800 °/s
Tmin - Min operating temperature	233,15 °K
Tmax - Max operating temperature	473,15 °K

BEARING FREQUENCIES

BPFO - Over rolling frequency on outer ring (60 rpm)	10.603 Hz
BPFI - Over rolling frequency on inner (60 rpm)	13.398 Hz
BSF - Over rolling frequency on rolling element (60 rpm)	8.374 Hz
BRF - Rotational frequency - rolling element (60 rpm)	4.187 Hz
FTF - Rotational frequency - cage (60 rpm)	0.442 Hz

ABUTMENT

da max - Max shoulder diameter IR	0 mm
da min - Min shoulder diameter IR	210,2 mm
db - Min diameter for Sleeve	210 mm
Ce - Min length fro Sleeve	9 mm
Da max - Max shoulder diameter OR	299,8 mm



ABUTMENT

ra max - Max shaft & housing fillet radius 2 mm

INDUSTRY CALCUL FACTORS

Equivalent dynamic radial load

$P = X.F_r + Y.F_a$

Fa / Fr ≤ e		Fa / Fr > e	
X	Y	X	Y
1	Y1	0.67	Y2

Equivalent static radial load

$P_o = X_o.F_r + Y_o.F_a$

X _o	Y _o
1	Y0

The values for e, Y1, Y2 and Y0 are shown in the above table .

