

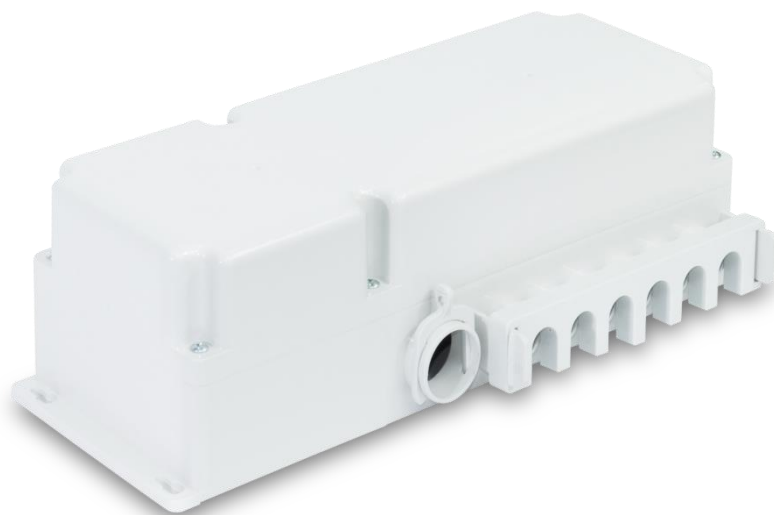


# Datasheet

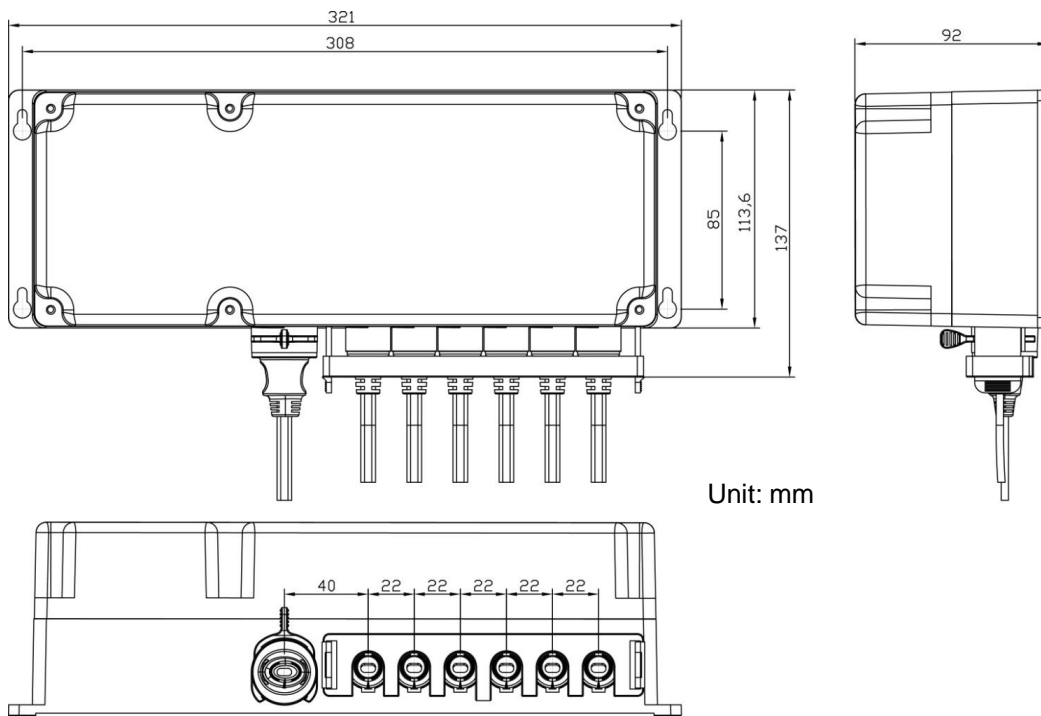
## RS PRO

Stock number: 1774524

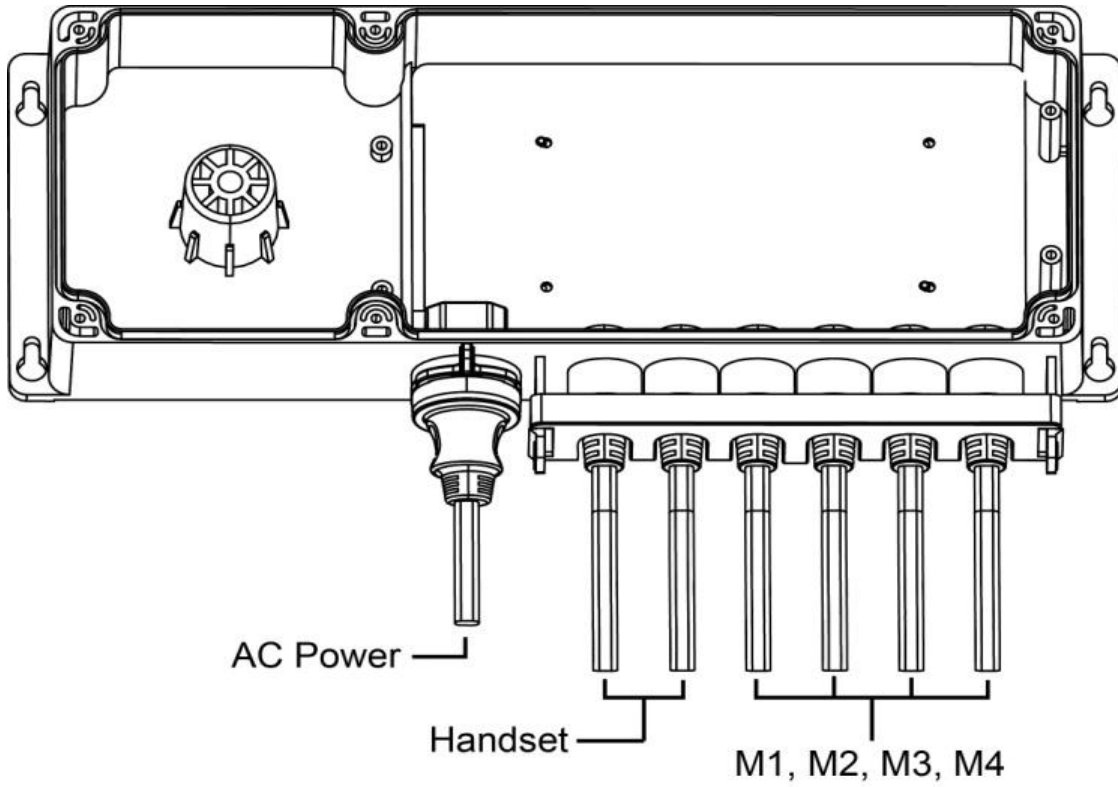
EN



- ◆ Input voltage : 230V AC 50Hz
- ◆ Output voltage : 24V DC
- ◆ Max. current : 3A @ 24V (CB4P)
- ◆ Max. number of actuators this control box can drive : 1
- ◆ Duty cycle : 10% or 2 min continuous operation in 20 min.
- ◆ IP Protection level : IPX4
- ◆ Protection class : Class I
- ◆ Colour : RAL7035
- ◆ Certified : CE mark
- ◆ Cable length : 3000mm



Unit: mm



# Ordering Key

**CB4P — 230 — 24—1 — 1 —CG**

**Input Voltage**

230 : 230V AC

**Output Voltage**

24 : 24V DC

**Number of Handsets**

1 : for 1 handset

**Number of Motors**

1 : for 1 actuator

**Charger Function**