

T4162214005-004 ✓ ACTIVE

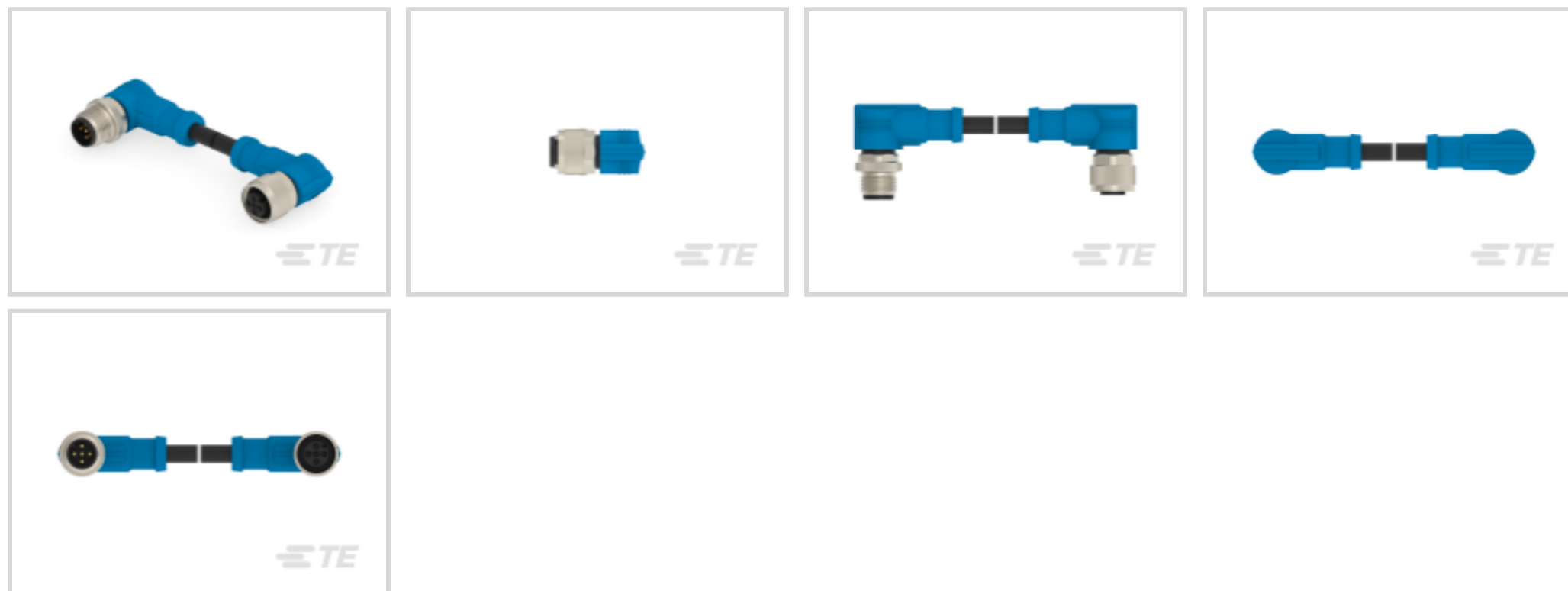


TE Internal #: T4162214005-004

M12 to M12 Cable Assembly, 5 Position, Cable Assembly Length 3 m [9.8 ft], Sensor/Actuator, A Code, M12 Plug End A, M12 Socket End B, Shielded

[View on TE.com >](#)

Cable Assemblies > Copper Cable Assemblies > M8/M12 Cable Assemblies > M12 A-Code Male to Female Double Ended Cable



Cable Assembly Length: 3 m [9.8 ft]

M8/M12 Application Type: **Sensor/Actuator**

Number of Positions: 5

Connector & Keying Code: **A**

Cable Assembly Type: **M12 to M12**

[All M12 A-Code Male to Female Double Ended Cable \(140\)](#)

Features

Product Type Features

Cable Assembly Type	M12 to M12
Cable Assembly (End A)	M12 Plug
Cable Assembly (End B)	M12 Socket

Configuration Features

Number of Positions	5
---------------------	---

Electrical Characteristics

Operating Voltage	60 VDC
-------------------	--------

Body Features

Connector Color (End B)	Black
Jacket Material	PVC
Connector Color (End A)	Black
Conductor Material	Copper Alloy
Cable Color	Black



Wire Color (Base)	Brown, White, Blue, Black, Gray
-------------------	---------------------------------

Connector & Keying Code	A
-------------------------	---

Contact Features

Contact Current Rating (Max)	4 A
------------------------------	-----

Mechanical Attachment

Thread Size	M12 x M12
-------------	-----------

Connector Orientation (End A)	Right Angle
-------------------------------	-------------

Connector Orientation (End B)	Right Angle
-------------------------------	-------------

Housing Features

Housing Material	Nylon GF
------------------	----------

Dimensions

Wire Size	22 AWG
-----------	--------

Operation/Application

M8/M12 Application Type	Sensor/Actuator
-------------------------	-----------------

Shielded	Yes
----------	-----

Other

Field Serviceable	Yes
-------------------	-----

Cable Assembly Length	3 m[9.8 ft]
-----------------------	-------------

Cable Assembly Configuration	Double Ended
------------------------------	--------------

Product Compliance

[For compliance documentation, visit the product page on TE.com>](#)

EU RoHS Directive 2011/65/EU	Compliant with Exemptions
------------------------------	---------------------------

EU ELV Directive 2000/53/EC	Compliant with Exemptions
-----------------------------	---------------------------

China RoHS 2 Directive MIIT Order No 32, 2016	有害物质含量超出标准 Restricted Substance(s) Above Threshold
---	--

EU REACH Regulation (EC) No. 1907/2006	Current ECHA Candidate List: JUNE 2025 (250) Candidate List Declared Against: JAN 2025 (247) SVHC > Threshold: Pb (1.9% in 2505725083)
--	---

Article Safe Usage Statements:

Do not eat, drink or smoke when using this product. Wash thoroughly after handling. Recycle if possible and dispose of the article by following all applicable governmental regulations relevant to your geographic location.

Halogen Content	Not Low Halogen - contains Br or Cl > 900
-----------------	---

ppm.

Solder Process Capability

Not applicable for solder process capability

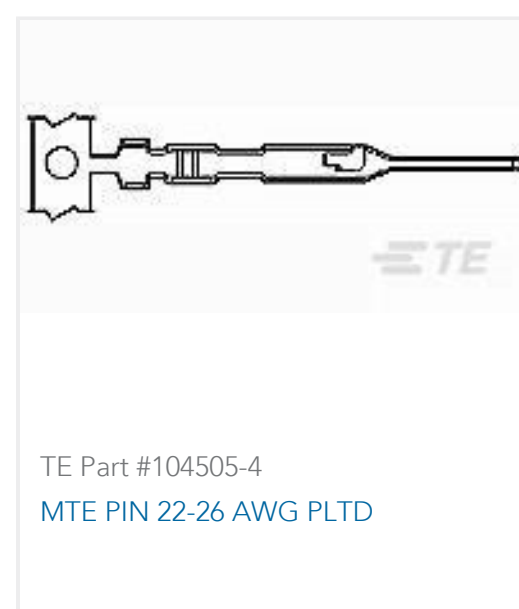
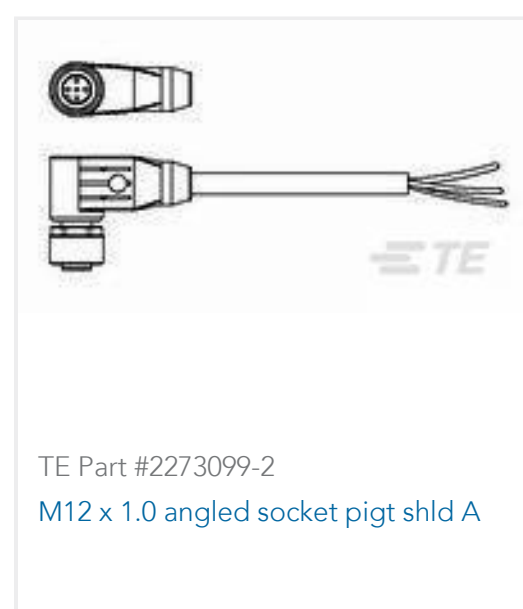
Product Compliance Disclaimer

This information is provided based on reasonable inquiry of our suppliers and represents our current actual knowledge based on the information they provided. This information is subject to change. The part numbers that TE has identified as EU RoHS compliant have a maximum concentration of 0.1% by weight in homogenous materials for lead, hexavalent chromium, mercury, PBB, PBDE, DBP, BBP, DEHP, DIBP, and 0.01% for cadmium, or qualify for an exemption to these limits as defined in the Annexes of Directive 2011/65/EU (RoHS2). Finished electrical and electronic equipment products will be CE marked as required by Directive 2011/65/EU. Components may not be CE marked. Additionally, the part numbers that TE has identified as EU ELV compliant have a maximum concentration of 0.1% by weight in homogenous materials for lead, hexavalent chromium, and mercury, and 0.01% for cadmium, or qualify for an exemption to these limits as defined in the Annexes of Directive 2000/53/EC (ELV). Regarding the REACH Regulation, the information TE provides on SVHC in articles for this part number is based on the latest European Chemicals Agency (ECHA) 'Guidance on requirements for substances in articles' posted at this URL: <https://echa.europa.eu/guidance-documents/guidance-on-reach>

Compatible Parts



Customers Also Bought





TE Part #2217000-2
MODEL G II CE TERMINATOR, W
/CQM



TE Part #3-641311-4
04P MTA-100 ASSY TAPE LF

Documents

Product Drawings

[RPC-M12-5MR-3.0SH-M12-5FR-PVC](#)

English

CAD Files

[3D PDF](#)

3D

Customer View Model

[ENG_CVM_CVM_T4162214005-004_A.2d_dxf.zip](#)

English

Customer View Model

[ENG_CVM_CVM_T4162214005-004_A.3d_igs.zip](#)

English

Customer View Model

[ENG_CVM_CVM_T4162214005-004_A.3d_stp.zip](#)

English

By downloading the CAD file I accept and agree to the [Terms and Conditions](#) of use.

Product Specifications

[Application Specification](#)

English

Agency Approvals

[UL](#)

English