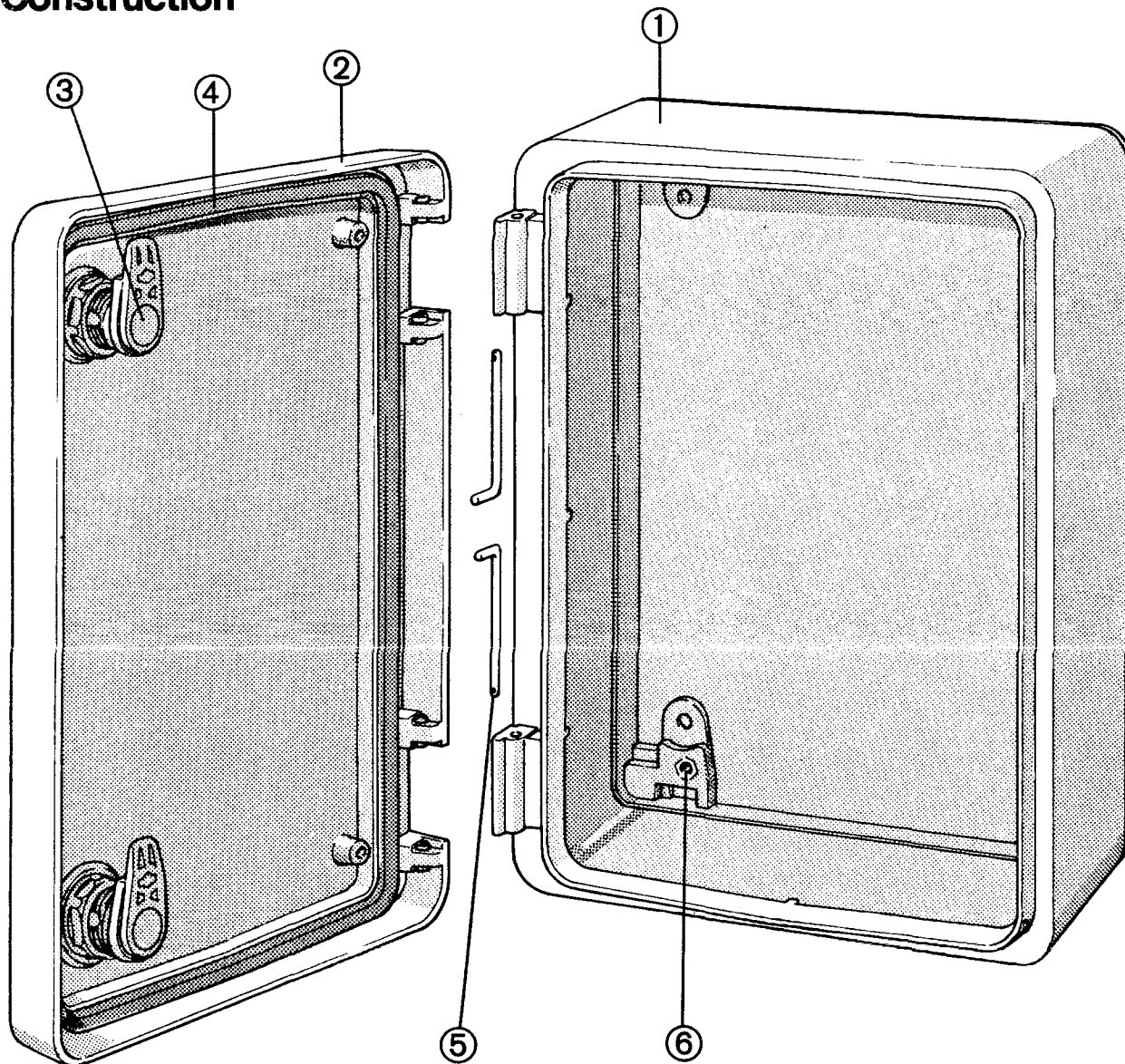


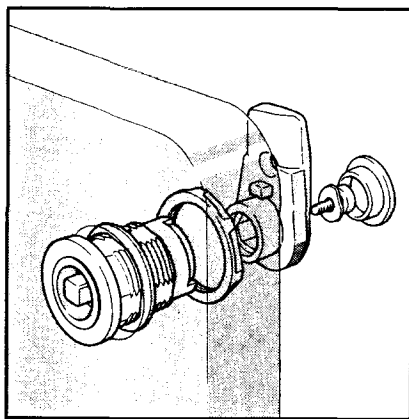
SIZE 2

RS 507-602 & 507-624

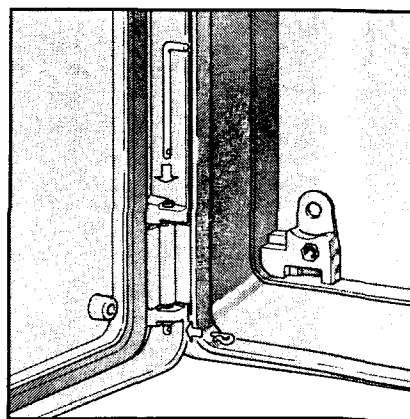
Construction



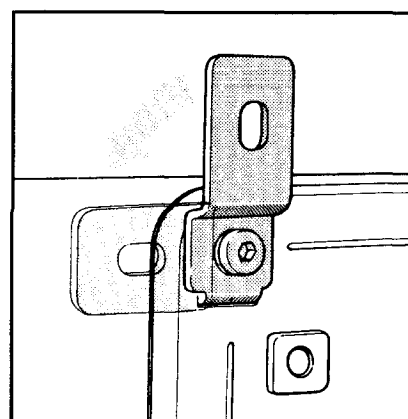
- ① Main body
- ② Door
- ③ Quick lock
- ④ Sealing
- ⑤ Hinge pin
- ⑥ Threaded insert



Locks are interchangeable by removing the sealing cap and the Allen screw.



The door may be removed by taking out the locking clip and hinge pin.



Wall mounting brackets are easily fixed in the vertical or horizontal position.