



summation current transformer type B 60 mm

Model	
product brand name	SENTRON
product designation	summation current transformer
design of the product	Type B
residual current (I _{dn}) minimum	1 mA
internal diameter of summation current transformer	60 mm
symmetrical tolerance of supply voltage at DC	24 V
wire length maximum	10 m
protection class IP at connection all terminals	IP20
surge voltage resistance rated value	8 kV
operating voltage rated value	
• maximum	800 V
Main circuit	
operational current rated value	200 A
Control current	
control supply voltage	
• at DC rated value minimum	24 V
• at DC rated value maximum	24 V
Suitability	
suitability for use	for AC and DC systems
Connections	
connectable conductor cross-section	
• minimum	0.2 mm ²
• maximum	1.5 mm ²
type of electrical connection	Plug-in terminal
Mechanical Design	
height	153.3 mm
width	125.8 mm
depth	82.4 mm
Net Weight	690 g
Environmental conditions	
influence of the surrounding temperature	Max. 95% humidity
ambient temperature during operation	
• minimum	-25 °C
• maximum	70 °C
ambient temperature during storage	

- minimum
- maximum

-40 °C
70 °C

Certificates

reference code according to IEC 81346-2

F

Approvals Certificates

General Product Approval



Confirmation



other

Environment



Confirmation

Environmental Con-
firmations

Siemens
EcoTech



Environmental Con-
firmations

Further information

Information on the packaging

<https://support.industry.siemens.com/cs/ww/en/view/109813875>

Information for data generation and storage

<https://support.industry.siemens.com/cs/ww/en/view/109995012>

Information- and Downloadcenter (Catalogs, Brochures,...)

<https://www.siemens.com/lowvoltage/catalogs>

Industry Mall (Online ordering system)

<https://mall.industry.siemens.com/mall/en/en/Catalog/product?mlfb=5SV8712-2KK>

Service&Support (Manuals, IECs, Certificates, Characteristics, FAQs,...)

<https://support.industry.siemens.com/cs/ww/en/ps/5SV8712-2KK>

Image database (product images, 2D dimension drawings, 3D models, device circuit diagrams, ...)

https://www.automation.siemens.com/bilddb/cax_en.aspx?mlfb=5SV8712-2KK

CAX-Online-Generator

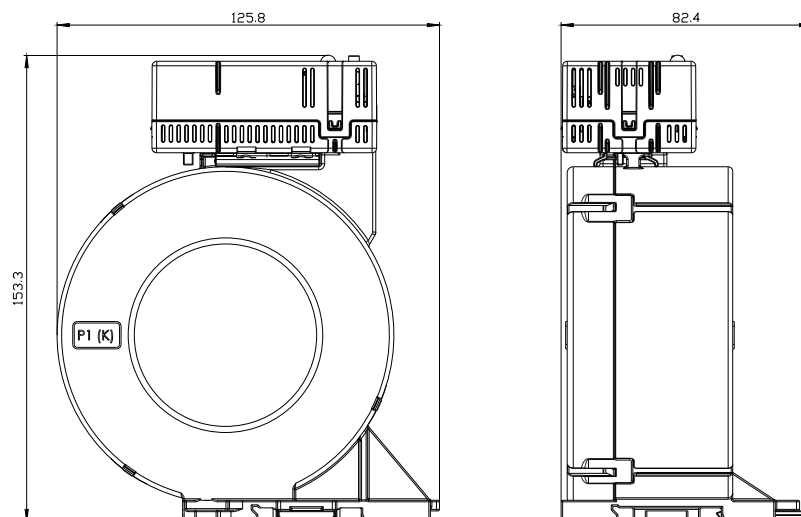
<https://www.siemens.com/cax>

Tender specifications

<https://www.siemens.com/specifications>

Characteristic curves

https://curves.simaris.siemens.com/curves/<mmp_prod_noCOMP='HAUPT'></mmp_prod_no>



last modified:

4/8/2025

