

Datasheet

IEC Thermocouple Barrier Terminal blocks

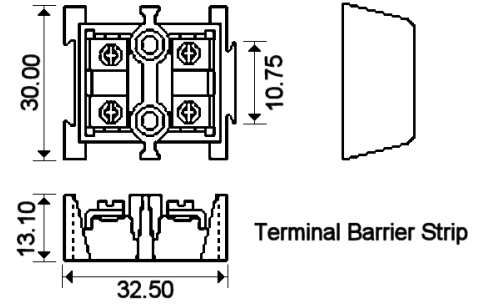
Interlockable terminal blocks in Thermocouple Types K & J



Thermocouple Type 'K'



Thermocouple Type 'J'



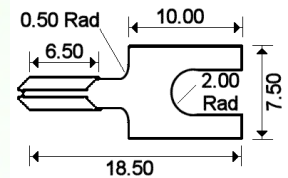
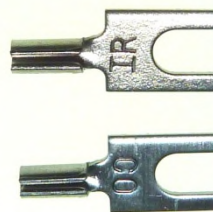
Schematic Drawing

- Interlocking barrier terminal blocks
- Blocks supplied singularly with end caps allowing a multiple number of blocks to be joined together
- Thermocouple Types 'K' or 'J'
- Connections made from thermocouple material
- Colour coded to IEC-584
- Max temperature 220°C

T/C Type	Colour Code (to IEC-584)	+Positive Contact (alloy type)	-Negative Contact (alloy type)	Allied Code	RS order Code
K	Green	+Nickel Chromium	-Nickel Alloy	70641754	236-4205
J	Black	+Iron	-Copper Nickel	70641753	236-4198

Optional Crimp-on Spade Terminations:

- Made from thermocouple material for Types 'K' or 'J'
- Accepts wires up to 18awg
- Supplied in packs of 20 pairs



Thermocouple Spade Terminal

Type	Allied Code	RS order Code
K	70641751	236-4160
J	70641752	236-4182

(shown – Type J IR/CO)