

PLEASE CHECK WWW.MOLEX.COM FOR LATEST PART INFORMATION

Part Number: [1718250100](#)
Status: **Active**
Overview: Super Sabre™ Connector System
Description: Super Sabre™ Female Crimp Terminal

Documents:

Drawing (PDF)	Product Specification TS-171825-001-001 (PDF)
Product Specification PS-171825-001-001 (PDF)	RoHS Certificate of Compliance (PDF)

General

Product Family	Crimp Terminals
Series	171825
Application	Power, Signal
Crimp Quality Equipment	Yes
Overview	Super Sabre™ Connector System
Product Name	Super Sabre™
UPC	887191539317

Physical

Gender	Female
Material - Metal	Copper
Material - Plating Mating	Silver
Material - Plating Termination	Matte Tin, Nickel
Net Weight	0.497/g
Packaging Type	Reel
Wire Insulation Diameter	n/a
Wire Size AWG	10, 12
Wire Size mm ²	N/A

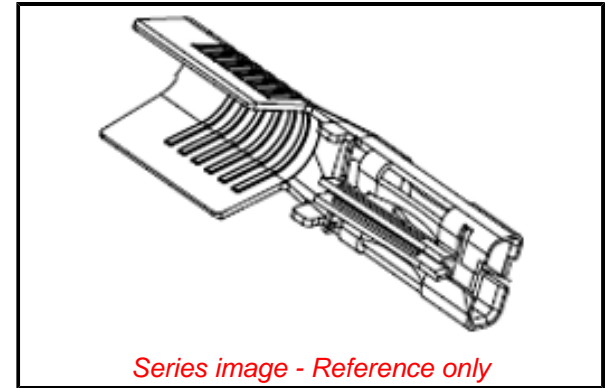
Solder Process Data

Lead-freeProcess Capability	N/A
-----------------------------	-----

Material Info

Reference - Drawing Numbers

Product Specification	PS-171825-001-001, TS-171825-001-001
Sales Drawing	SD-171825-001



EU ELV

Not Relevant

EU RoHS

Compliant

REACH SVHC

Not Contained Per -
ED/30/2017 (7 July
2017)

Halogen-Free

Status

Low-Halogen

Need more information on product environmental compliance?

Email productcompliance@molex.com
Please visit the [Contact Us](#) section for any non-product compliance questions.

China ROHS

ELV

RoHS Phthalates

Green Image

Not Relevant

Not Contained

Search Parts in this Series

[171825](#) Series

Use With

[44441](#) 7.50mm Pitch Sabre™ Receptacle Crimp Housing
[172672](#) 7.50mm Pitch Super Sabre™ Receptacle Crimp Housing