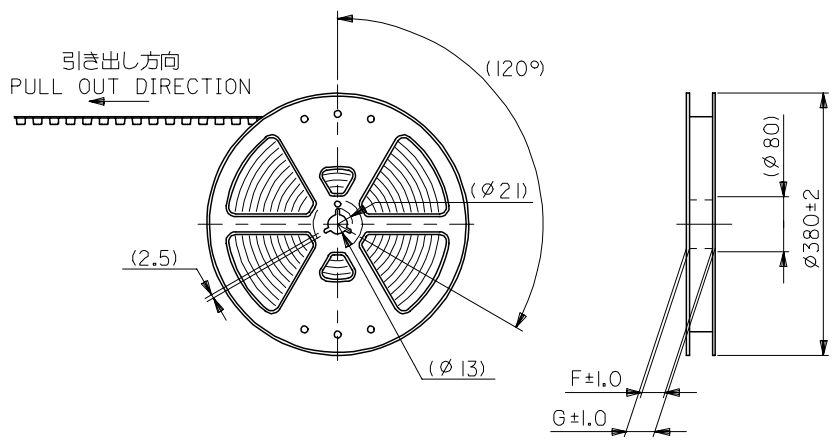
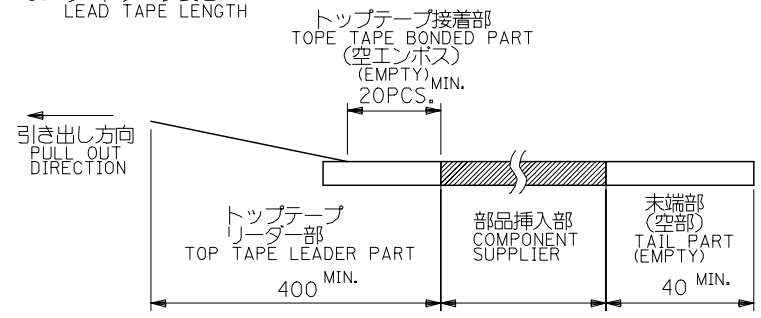


10 9 8 7 6 5 4 3 2 1



注)
NOTES

- 製品番号54363-**81 詳細寸法については、製品単体図面を参照下さい。
IN THE PACKAGE PART NUMBER 54363-**81 DETAILED DIMENSIONS, SEE SALES DRAWING FOR CONNECTOR.
- 梱包数量：2500個/リール
NUMBER OF CONNECTORS:2500 PCS/REEL.
- リードテープ長さ
LEAD TAPE LENGTH



- 材料
MATERIAL
キャリアテープ：ポリプロピレン (PP)
CARRIER TAPE:POLYPROPYLENE(PP)
トップテープ：PET, PE, PEF
TOP TAPE:PET,PE,PEF
リール：ポリスチレン
REEL : POLYSTYRENE

61.4	57.4	56±0.3	52.4	44.2	26.2	40.55	54363-1689	160	—	
				39.2		35.55	54363-1489	140	○	
49.4	45.4	44±0.3	40.4	31.7	20.2	28.05	54363-1189	110	○	
				29.2		25.55	54363-1089	100	○	
				26.7		23.05	54363-0989	90	—	
37.4	33.4	32±0.3	28.4	24.2	14.2	20.55	54363-0889	80	○	
				21.7		18.05	54363-0789	70	○	
				19.2		15.55	54363-0689	60	○	
29.4	25.4	24±0.3	—	16.7	11.5	13.05	54363-0589	50	○	
				14.2		10.55	54363-0489	40	○	
21.4	17.4	16±0.3	—	11.7	7.5	8.05	54363-0389	30	○	
				9.2		5.55	54363-0289	20	○	
G	F	E キャリアテープ幅 CARRIER TAPE WIDTH		D	(C)	(B)	(A)	製品番号 MATERIAL NO.	極数 CIRCUITS	量産対応 AVAILABLE

REVISED EC NO: J2007-1632 DRWN: NABEI 2006/12/05 CHKDK: TOYODA 2006/12/06 APPR: NUKITA 2006/12/07	GENERAL TOLERANCES (UNLESS SPECIFIED)		DIMENSION STYLE MM ONLY		SCALE ---	DESIGN UNITS METRIC	THIRD ANGLE PROJECTION	
	10 UNDER	±0.2	DRAWN BY Y. AOYAGI	DATE 2006/11/08	TITLE EMBOSSD TAPE PACKAGE FOR 54363-**81			
	10 OVER 30 UNDER	±0.25	CHECKED BY K. TOYODA	DATE 2006/11/08	MATERIAL NO.			
	30 OVER	±0.3	APPROVED BY N. UKITA	DATE 2006/11/08	MOLEX INCORPORATED			
	ANGULAR	±3 °	DRAFT WHERE APPLICABLE MUST REMAIN WITHIN DIMENSIONS		SEE CHART		DOCUMENT NO. SD-54363-049	SHEET NO. 1 OF 2

10 9 8 7 6 5 4 3 2 1

F

E

D

C

B

A

F

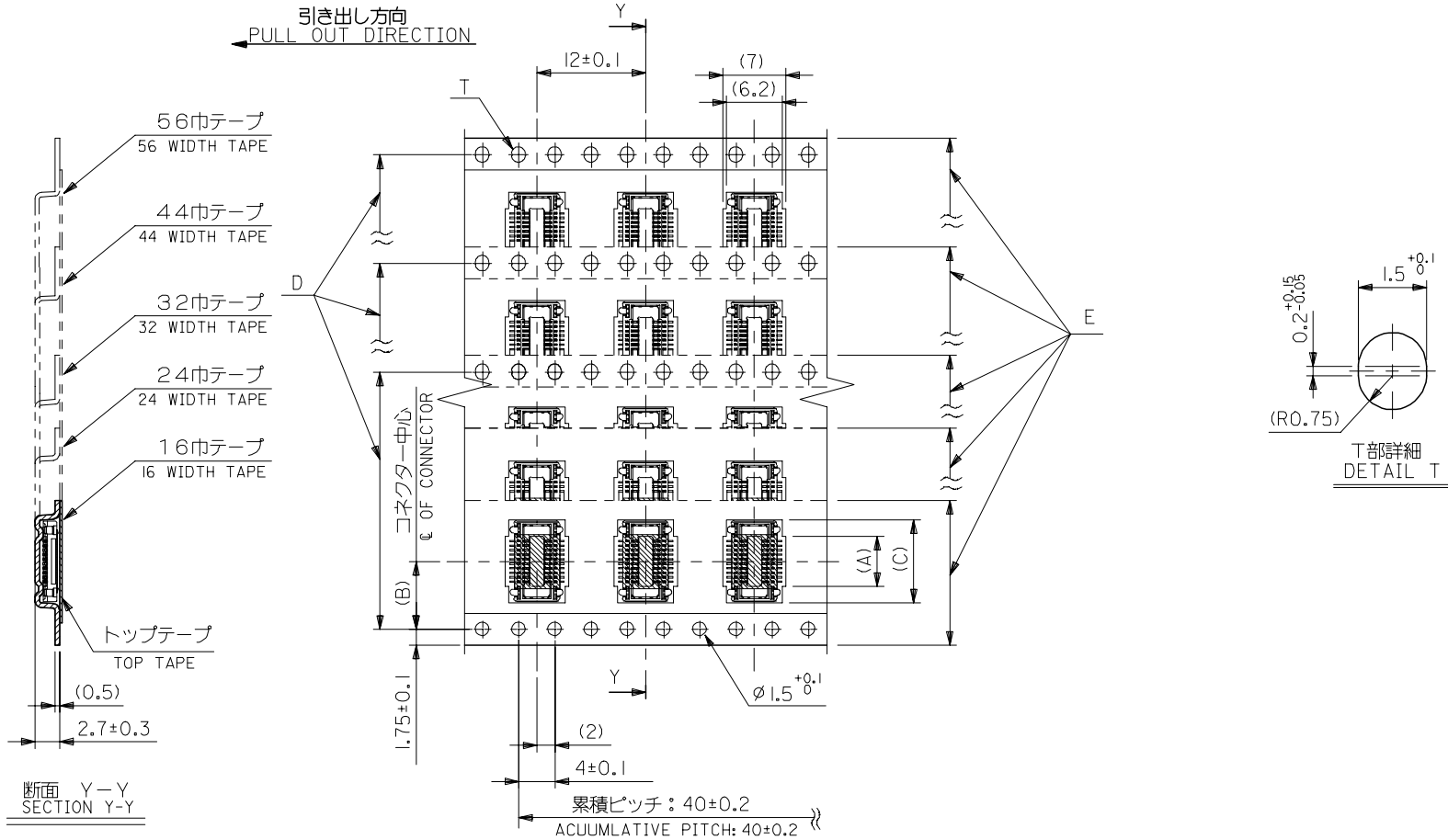
E

D

C

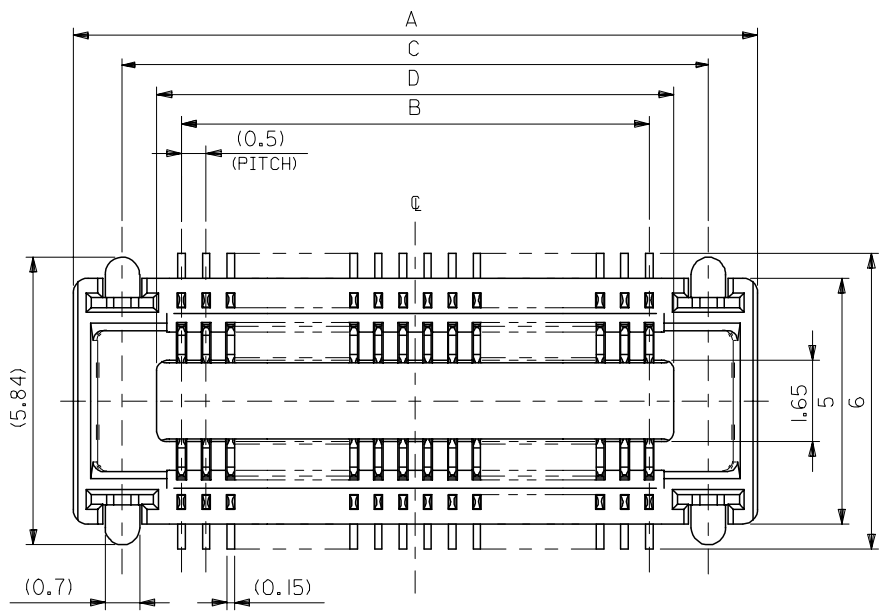
B

A



REVISED EC NO: J2007-1632 DRW: MABEI CHK: K. TOYODA APPR: NUKITA 2006/12/05 2006/12/06 2006/12/07	GENERAL TOLERANCES (UNLESS SPECIFIED)		DIMENSION STYLE MM ONLY	SCALE ---	DESIGN UNITS METRIC	THIRD ANGLE PROJECTION
	10 UNDER	±0.2	DRAWN BY Y. AOYAGI	DATE 2006/11/08	TITLE EMBOSSD TAPE PACKAGE FOR 54363-**81	
	10 OVER 30 UNDER	±0.25	CHECKED BY K. TOYODA	DATE 2006/11/08	MOLEX INCORPORATED	
	30 OVER	±0.3	APPROVED BY N. UKITA	DATE 2006/11/08	DOCUMENT NO. SD-54363-049	SHEET NO. 2 OF 2
	ANGULAR	±3 °	MATERIAL NO. SEE SHEET 1			
DRAFT WHERE APPLICABLE MUST REMAIN WITHIN DIMENSIONS		THIS DRAWING CONTAINS INFORMATION THAT IS PROPRIETARY TO MOLEX INCORPORATED AND SHOULD NOT BE USED WITHOUT WRITTEN PERMISSION				

10 9 8 7 6 5 4 3 2 1



注記
NOTES:

1. 材質
MATERIAL
ハウジング: LCP (液晶ポリマー)、ガラス充填、黒色、UL94V-0
HOUSING: LCP (LIQUID CRYSTAL POLYMER), GLASS FILLED, BLACK, UL94V-0
ターミナル: 銅合金 (t=0.15)
TERMINAL: COPPER ALLOY (t=0.15)
ネイル: 銅合金 (t=0.2)
NAIL: COPPER ALLOY (t=0.2)
2. メッキ仕様
PLATING
ターミナル
TERMINAL
接点部: 金メッキ 0.25マイクロメートル以上
CONTACT AREA: GOLD 0.25 MICROMETER MINIMUM
半田付け部: 金メッキ 0.4マイクロメートル以下
SOLDER TAIL AREA: GOLD 0.4 MICROMETER MAXIMUM
下地メッキ: ニッケルメッキ 1.5マイクロメートル以上
UNDER PLATING: NICKEL 1.5 MICROMETER MINIMUM
ネイル
NAIL
錫メッキ 3.0マイクロメートル以上
TIN 3.0 MICROMETER MINIMUM
下地メッキ: ニッケルメッキ 1.0マイクロメートル以上
UNDER PLATING: NICKEL 1.0 MICROMETER MINIMUM
3. テール平坦度は、0.08ミリメートル以下。テールとネイルを併せた平坦度は、0.1ミリメートル以下。
TAIL COPLANARITY TO BE 0.08 MAXIMUM. TAILS AND NAILS COPLANARITY TO BE 0.1 MAXIMUM.
4. 嵌合相手: 55201-****, 55650-**** (H=2mm)
MATED CONN.: 55201-****, 55650-**** (H=2mm)
5. 本製品は、54363-xx71 (エンボス梱包品 54363-xx78) のニッケルバリア品である。
THIS PRODUCT IS 'NICKEL BARRIER' OF 54363-xx71 (EMBOSSED TAPE PKG 54363-xx78).



40.5	41.9	39.5	43.9	54363-1689	54363-1681	160	—
35.5	36.9	34.5	38.9	54363-1489	54363-1481	140	○
30.5	31.9	29.5	33.9	54363-1289	54363-1281	120	○
28	29.4	27	31.4	54363-1189	54363-1181	110	○
25.5	26.9	24.5	28.9	54363-1089	54363-1081	100	○
23	24.4	22	26.4	54363-0989	54363-0981	90	—
20.5	21.9	19.5	23.9	54363-0889	54363-0881	80	○
18	19.4	17	21.4	54363-0789	54363-0781	70	○
15.5	16.9	14.5	18.9	54363-0689	54363-0681	60	○
13	14.4	12	16.4	54363-0589	54363-0581	50	○
10.5	11.9	9.5	13.9	54363-0489	54363-0481	40	○
8	9.4	7	11.4	54363-0389	54363-0381	30	○
5.5	6.9	4.5	8.9	54363-0289	54363-0281	20	○
D	C	B	A	エンボス梱包品 EMBOSSED TAPE PACKAGING	製品番号 MATERIAL NO.	極数 CIRCUITS	量産対応 AVAILABLE

REVISED EC NO: J2008-1106 DRWN: AOYAGI CHKD: TOYODA APPR: NUKITA	GENERAL TOLERANCES (UNLESS SPECIFIED)		DIMENSION STYLE MM ONLY		SCALE 10:1	DESIGN UNITS METRIC	THIRD ANGLE PROJECTION
	10 UNDER	±0.2	DRAWN BY Y. AOYAGI	DATE 2006/11/08	TITLE 0.5 MM PITCH B/B CONN. WITH FITTING NAIL -LEAD FREE-		
	10 OVER 30 UNDER	±0.25	CHECKED BY K. TOYODA	DATE 2006/11/08	MOLEX INCORPORATED		
	30 OVER	±0.3	APPROVED BY N. UKITA	DATE 2006/11/08	DOCUMENT NO. SD-54363-050	SHEET NO. 1 OF 2	
	ANGULAR ±3 °	DRAFT WHERE APPLICABLE MUST REMAIN WITHIN DIMENSIONS		SIZE A3	THIS DRAWING CONTAINS INFORMATION THAT IS PROPRIETARY TO MOLEX INCORPORATED AND SHOULD NOT BE USED WITHOUT WRITTEN PERMISSION		

10 9 8 7 6 5 4 3 2 1

F

E

D

C

B

A

F

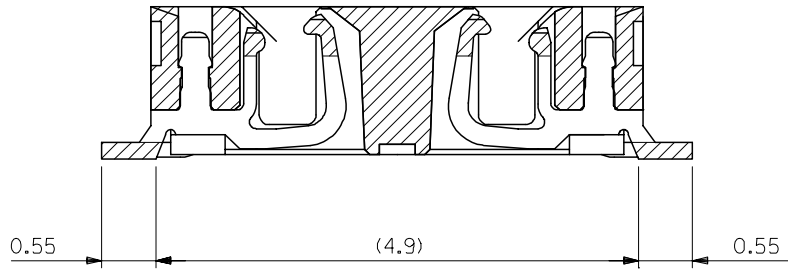
E

D

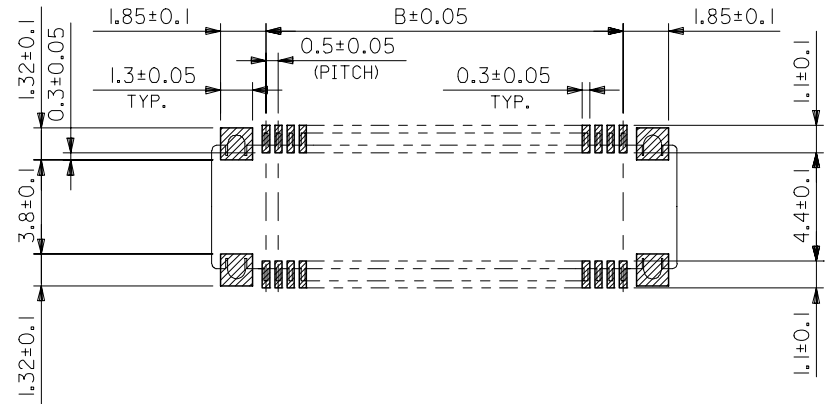
C

B

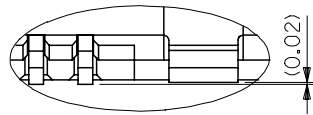
A



半田付け部詳細図
DETAIL FOR SOLDERING AREA



推奨基板寸法
RECOMMENDED PCB PATTERN LAYOUT
(SCALE 5:1)



T部詳細
DETAIL T

REVISED EC NO: J2008-1106 DRWN: A0YAGI 2007/10/04 CHKD: KTOYODA 2007/10/05 APPR: NUKITA 2007/10/05	GENERAL TOLERANCES (UNLESS SPECIFIED)		DIMENSION STYLE MM ONLY	SCALE 10:1	DESIGN UNITS METRIC	THIRD ANGLE PROJECTION
	10 UNDER	±0.2	DRAWN BY Y. A0YAGI	DATE 2006/11/08	TITLE 0.5 MM PITCH B/B CONN. WITH FITTING NAIL -LEAD FREE-	
	10 OVER 30 UNDER	±0.25	CHECKED BY K. TOYODA	DATE 2006/11/08	MOLEX INCORPORATED	
	30 OVER	±0.3	APPROVED BY N. UKITA	DATE 2006/11/08		
	ANGULAR	±3 °	MATERIAL NO.	SEE SHEET 1	DOCUMENT NO. SD-54363-050	SHEET NO. 2 OF 2
DRAFT WHERE APPLICABLE MUST REMAIN WITHIN DIMENSIONS		SIZE A3	THIS DRAWING CONTAINS INFORMATION THAT IS PROPRIETARY TO MOLEX INCORPORATED AND SHOULD NOT BE USED WITHOUT WRITTEN PERMISSION			