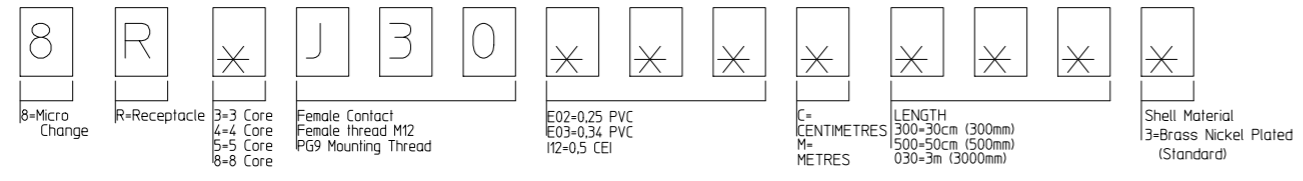


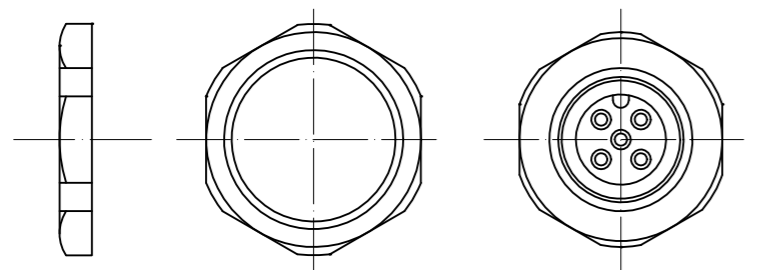
STARY P/N	MOLEX P/N	WH P/N	L[mm]	TYP KONEKTORA
	1200110024	8R4J30E03M0403	4000	4 POLE
	1200110037	8R5J30E03C5003	500	5 POLE
	1200110038	8R5J30E03M0203	2000	5 POLE
	1200110266	8R5J30I12M0303*	3000	5 POLE
	1200110301	8R5J30I12M0703*	7000	5 POLE
	1200110331	8R8J30E03C5003	500	8 POLE
	1200110342	8R5J30E03M0103	1000	5 POLE
	1200110369	8R4J30I03C3003	300	4 POLE
	1200110456	8R8J30E03C6003	600	8 POLE
	1200110756	8R4J30E03C5003	500	4 POLE
1200110731	1200700229	8R5J30E03C3003	300	5 POLE
	1200700230	8R5J30E03M0053	500	5 POLE
	1200700262	8R8J30E03C3001	300	8 POLE
	1200110732	8R5J30E03M0053	500	5 POLE
1200110740	1200700263	8R8J30E03C3003	300	8 POLE
	1200700264	8R8J30E03M0203	2000	8 POLE
1200110747	1200700395	8R4J30E03C3003	300	4 POLE
	1200700356	8R8J30E03M0103	1000	8 POLE
	1200700399	8R8J30E03M0303	3000	8 POLE
	1200705020	8R4J30E03M0103	1000	4 POLE
	1200705021	8R4J30E03M0203	2000	4 POLE
	1200708013	8R4J30E03M0703	7000	4 POLE
	1200708025	8R5J30E03C500	500	5 POLE
	1200708026	8R5J30E03M020	2000	5 POLE
	1200708086	8R8J30E03M0153	1500	8 POLE

PART No MATRIX

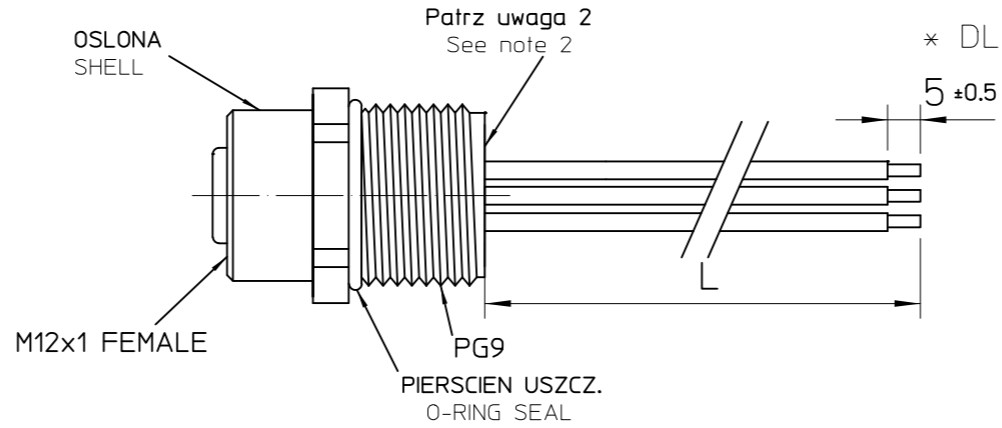


NAKRETKA  
LOCKNUT

KOLNIERZ  
FLANGE



Widok od strony czola  
FACE VIEW



\* DLA PRZEWODU '112' ZAMIAST SZAREGO - ZIELONY/ZOLTY.

Table of lenght tolerances/ Tablica tolerancji dlugosci mm

Over/Od	Up to and including/ Do-wlacznie	Tolerance/Tolerancja +
0	305	+19
305	915	+45
915	1830	+56
1830	3660	+89
3660	7320	+165
7320	14640	+317
14640	30500	+622
30500		+2% of lenght/dlugosci

UWAGI:  
1 DLUGOSCI CIECIA PRZEWODOW I SPECYFIKACJE NABIJANIA W LISCIE CIECIA.  
2. PO OSADZENIU TERMINALI ZALAC KLEJEM.

NOTES:  
1. CUTTING LENGHT AND CRIMPING SPECIFICATION IN CUTTING LIST.  
2. AFTER ASSEMBLING TERMINALS FILL WITH GLUE.

ORIGINAL RELEASE EC NO: DRWN:DWARWAS 2008/05/08 CHKD: APPR:	DESCRIPTION REV	QUALITY SYMBOLS ▽=0 ▽=0	GENERAL TOLERANCES (UNLESS SPECIFIED)	DIMENSION STYLE	SCALE	DESIGN UNITS	FIRST ANGLE PROJECTION	
			mm INCH	DRAWN BY DATE DWARWAS 2008/05/08	TITLE MMC-xP-FE-REC-PG9-xxM-PVC			
			4 PLACES ± ± 3 PLACES ± ± 2 PLACES ± ± 1 PLACE ± ±	CHECKED BY DATE	APPROVED BY DATE MWOLSZCZAK 2008/06/06	MATERIAL NO. See Chart 1	DOCUMENT NO. 8RXJ30XXXMXXX	SHEET NO. 1 OF 1
			ANGULAR ± °	DRAFT WHERE APPLICABLE MUST REMAIN WITHIN DIMENSIONS				

THIS DRAWING CONTAINS INFORMATION THAT IS PROPRIETARY TO MOLEX INCORPORATED AND SHOULD NOT BE USED WITHOUT WRITTEN PERMISSION