

HID Lighting Capacitors – GEM III

280, 330, 400, 480, 540, and 580 VAC

This capacitor series is **designed specifically for the HID Lighting applications** where the capacitors are used as part of the ballast circuit for mercury vapor, metal halide, and high-pressure sodium lamps. The units are designed to **operate at up to 90°C**, which is the normal requirement for HID ballast capacitors. Due to advances in material technology and breakthroughs in proprietary capacitor manufacturing processes, **selected ratings** are now available for operation up to **100°C** for 60,000 hours. If there are **any questions** regarding the correct application of these products, please **contact your RBC sales representative**.

SPECIFICATIONS:

Available Capacitance Range:	5 to 60 μ F
Capacitance Tolerance:	\pm 3%
Capacitance Variation with Temperature:	See Chart L-3 on page 20.
Rated Voltage:	See Rating Tables.
Leakage Current:	30 μ A maximum
Frequency:	50/60 Hz.
Operating Temperature:	-40°C to +90°C and up to 100°C MAX on selected ratings (See page 16 & 17)
Storage Temperature:	-40°C to +90°C
Operating Life:	60,000 hours with 90% survival
Dissipation Factor:	0.1% maximum
Case Material/Finish:	Unpainted Aluminum case, terne plate steel cover.
Terminations:	'Combo' terminal: 0.250" x 0.031" quick connect blades plus a solderable fork on each terminal.
Dielectric Fluid:	Dielektrol VI
Internal Protection:	UL recognized Pressure Sensitive Interrupter. The UL Code Numbers in the Ratings Tables are the numbers listed under Regal-Beloit's UL File No. E7793(N). When including these capacitors in a UL submittal, use this 'Pxxx' numbers not the Catalog Number. The generic UL designations corresponding to the Regal-Beloit numbers are given below. This number includes the Available Fault Current (AFC) ratings. All these capacitors are capable of interrupting available fault currents of up to 10,000 amperes.

Case Style	RBC Code	Generic UL Code
A	P921	A10000AFC
B	P922	B10000AFC
C	P923	C10000AFC
D	P924	D10000AFC
P	P965	P10000AFC
S	P968	S10000AFC

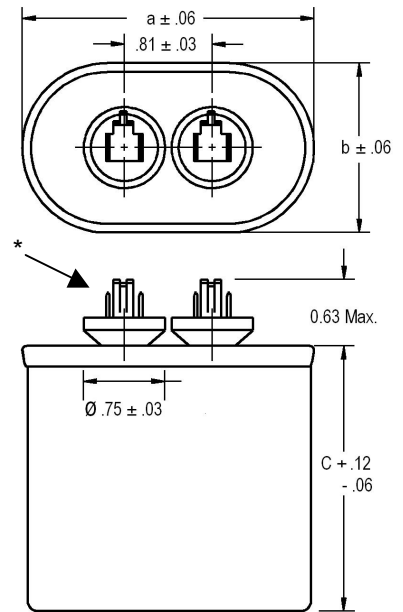


HID Lighting Capacitors – GEM III

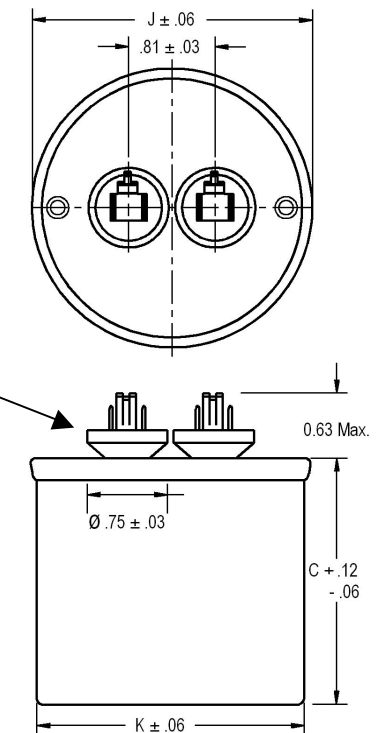
Single Ratings – 1 Section

Voltage (VAC)	Capacitance (µF)	Catalog Number	Case Style	Base Size (in.)	Can Type	Height C (in.)	UL Code
280	6.0	97F6801	A	1.25	Oval	2.12	P921
	8.0	97F6857	A	1.25	Oval	2.88	P921
	10.0	97F6858	A	1.25	Oval	2.88	P921
	10.0	97F6805	B	1.50	Oval	2.12	P922
	12.0	97F6871	A	1.25	Oval	3.88	P921
	15.0	97F6860	B	1.50	Oval	2.88	P922
	17.5	97F6812	B	1.50	Oval	2.88	P922
	20.0	97F6861	B	1.50	Oval	3.88	P922
	20.0	97F6862	C	1.75	Oval	2.88	P923
	22.5	97F6855	B	1.50	Oval	3.88	P922
	24.0	97F6873	B	1.50	Oval	3.88	P922
	24.0	97F6864	C	1.75	Oval	2.88	P923
	26.0	97F6868	B	1.50	Oval	2.88	P922
	28.0	97F6824	B	1.50	Oval	3.88	P922
	28.0	97F6823	C	1.75	Oval	2.88	P923
	29.0	97F6846	B	1.50	Oval	3.88	P922
	34.0	97F6854	B	1.50	Oval	3.88	P922
	35.0	97F6865	C	1.75	Oval	3.88	P923
	40.0	97F6866	C	1.75	Oval	3.88	P923
	42.0	97F6869	B	1.50	Oval	3.88	P922
	45.0	97F6850	C	1.75	Oval	3.88	P923
	48.0	97F6836	C	1.75	Oval	3.88	P923
	48.0	97F6872	D	2.00	Oval	2.88	P924
	52.0	97F6867	D	2.00	Oval	3.88	P924
	22.5	97F6516	P	1.75	Round	2.88	P965
	24.0	97F6522	P	1.75	Round	2.88	P965
	30.0	97F6533	P	1.75	Round	3.88	P965
	35.0	97F6538	P	1.75	Round	3.88	P965
38.0	97F6509	P	1.75	Round	3.88	P965	
40.0	97F6530	P	1.75	Round	3.88	P965	
45.0	97F6540	S	2.00	Round	3.88	P968	
48.0	97F6541	S	2.00	Round	3.88	P968	

Case Style A, B, C, and D



Case Style P, S, and T



Case Style	a	b
A	2.16	1.31
B	2.69	1.56
C	2.91	1.91
D	3.66	1.97

Case Style	K	J
P	1.75	1.88
S	2.00	2.12

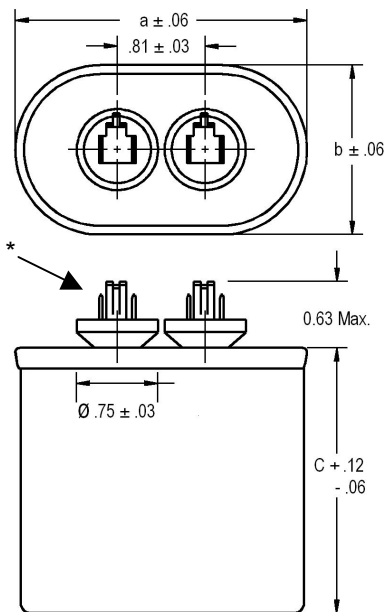
*(2) .250 x .031 Blades & Fork per terminal

*It is Regal-Beloit's goal to serve you with the **most cost effective** and **highest quality capacitor** designs. Standardization to the catalog type shown is a major program at Regal-Beloit. However, Regal-Beloit remains sensitive to your needs and requirements, and **will continue to offer the above ratings (and more) in case configurations to meet your application(s).**

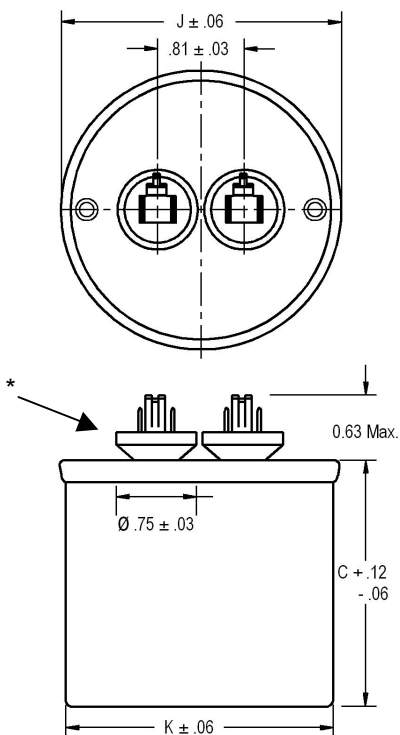
HID Lighting Capacitors – GEM III

Single Ratings – 1 Section

Case Style A, B, C, and D



Case Style P, S, and T



Voltage (VAC)	Capacitance (µF)	Catalog Number	Case Style	Base Size (in.)	Can Type	Height C (in.)	UL Code
330	2.5	97F6788	A	1.25	Oval	2.12	P921
	5.0	97F6764	A	1.25	Oval	2.88	P921
	6.0	97F6765	A	1.25	Oval	2.88	P921
	7.0	97F6766	A	1.25	Oval	2.88	P921
	8.0	97F6703	A	1.25	Oval	2.88	P921
	10.0	97F6763	A	1.25	Oval	3.88	P921
	10.0	97F6767	B	1.50	Oval	2.88	P922
	11.0	97F6762	B	1.50	Oval	2.88	P922
	12.0	97F6746	A	1.25	Oval	3.88	P921
	12.0	97F6760	B	1.50	Oval	2.88	P922
	13.0	97F6708	B	1.50	Oval	2.88	P922
	13.5	97F6749	B	1.50	Oval	2.88	P922
	14.0	97F6768	B	1.50	Oval	2.88	P922
	15.0	97F6758	B	1.50	Oval	3.88	P922
	16.0	97F6769	B	1.50	Oval	3.88	P922
	17.5	97F6761	B	1.50	Oval	3.88	P922
	17.5	97F6770	C	1.75	Oval	2.88	P923
	18.0	97F6771	B	1.50	Oval	3.88	P922
	18.0	97F6779	C	1.75	Oval	2.88	P923
	19.0	97F6715	B	1.50	Oval	3.88	P922
	20.0	97F6716	B	1.50	Oval	3.88	P922
	21.0	97F6745	B	1.50	Oval	3.88	P922
	22.5	97F6773	C	1.75	Oval	3.88	P923
	24.0	97F6759	B	1.50	Oval	3.88	P922
	24.0	97F6774	C	1.75	Oval	3.88	P923
	26.0	97F6755	B	1.50	Oval	3.88	P922
	28.0	97F6776	C	1.75	Oval	3.88	P923
	29.0	97F6780	C	1.75	Oval	3.88	P923
	30.0	97F6726	C	1.75	Oval	3.88	P923
	32.0	97F6727	C	1.75	Oval	3.88	P923
	34.0	97F6757	C	1.75	Oval	3.88	P923
	36.0	97F6784	C	1.75	Oval	3.88	P923
	45.0	97F6778	D	2.00	Oval	3.88	P924
	7.0	97F6531	P	1.75	Round	2.88	P965
	8.0	97F6518	P	1.75	Round	2.88	P965
	10.0	97F6515	P	1.75	Round	2.88	P965
	14.0	97F6506	P	1.75	Round	2.88	P965
	15.0	97F6504	P	1.75	Round	2.88	P965
	16.0	97F6519	P	1.75	Round	2.88	P965
	17.5	97F6505	P	1.75	Round	2.88	P965
	24.0	97F6537	P	1.75	Round	3.88	P965
	28.0	97F6521	P	1.75	Round	3.88	P965

Case Style	a	b
A	2.16	1.31
B	2.69	1.56
C	2.91	1.91
D	3.66	1.97

Case Style	K	J
P	1.75	1.88
S	2.00	2.12

*(2) .250 x .031 Blades & Fork per terminal

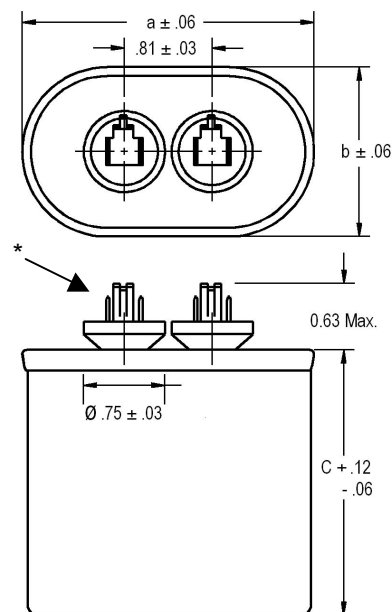
*It is Regal-Beloit's goal to serve you with the most cost effective and highest quality capacitor designs. Standardization to the catalog type shown is a major program at Regal-Beloit. However, Regal-Beloit remains sensitive to your needs and requirements, and will continue to offer the above ratings (and more) in case configurations to meet your application(s).

HID Lighting Capacitors – GEM III

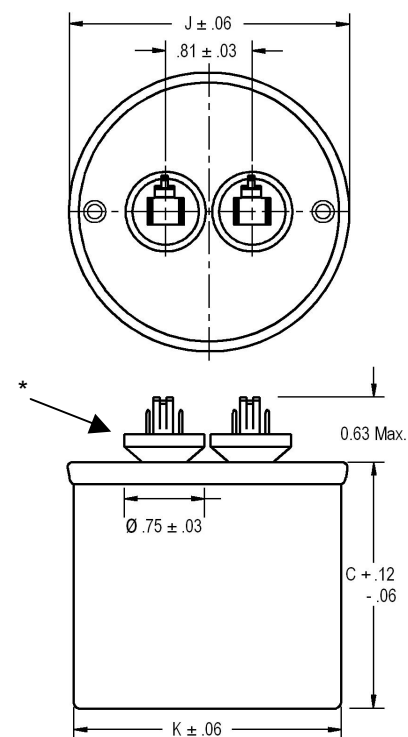
Single Ratings – 1 Section

Voltage (VAC)	Capacitance (µF)	Catalog Number	Case Style	Base Size (in.)	Can Type	Height C (in.)	UL Code
400	7.5	97F6656	A	1.25	Oval	3.88	P921
	10.0	97F6601	A	1.25	Oval	3.88	P921
	10.0	97F6606	B	1.50	Oval	2.88	P922
	12.0	97F6659	B	1.50	Oval	3.88	P922
	12.0	97F6660	C	1.75	Oval	2.88	P923
	13.0	97F6698	B	1.50	Oval	3.88	P922
	14.0	97F6661	C	1.75	Oval	2.88	P923
	15.0	97F6602	B	1.50	Oval	3.88	P922
	15.0	97F6621	C	1.75	Oval	2.88	P923
	18.0	97F6658	C	1.75	Oval	2.88	P923
	24.0	97F6622	C	1.75	Oval	3.88	P923
	24.0	97F6623	D	2.00	Oval	2.88	P924
	26.0	97F6926	B	1.50	Oval	3.88	P922
	10.0	97F6526	P	1.75	Round	2.88	P965
	14.0	97F6539	P	1.75	Round	2.88	P965
	15.0	97F6517	P	1.75	Round	2.88	P965
	24.0	97F6535	P	1.75	Round	3.88	P965
	26.0	27L709	S	2.00	Round	3.88	P968

Case Style A, B, C, and D



Case Style P, S, and T



Case Style	a	b
A	2.16	1.31
B	2.69	1.56
C	2.91	1.91
D	3.66	1.97

Case Style	K	J
P	1.75	1.88
S	2.00	2.12

*(2) .250 x .031 Blades & Fork per terminal

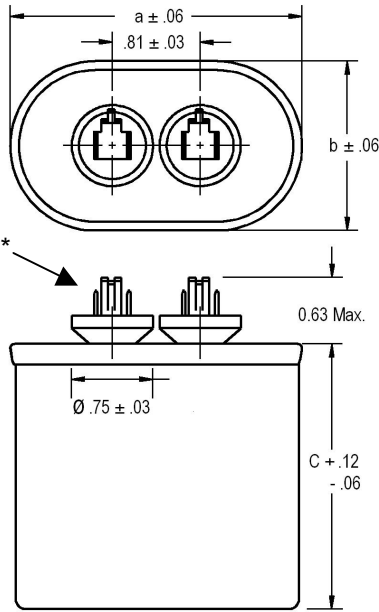
*It is Regal-Beloit's goal to serve you with the most cost effective and highest quality capacitor designs. Standardization to the catalog type shown is a major program at Regal-Beloit. However, Regal-Beloit remains sensitive to your needs and requirements, and will continue to offer the above ratings (and more) in case configurations to meet your application(s).



HID Lighting Capacitors – GEM III

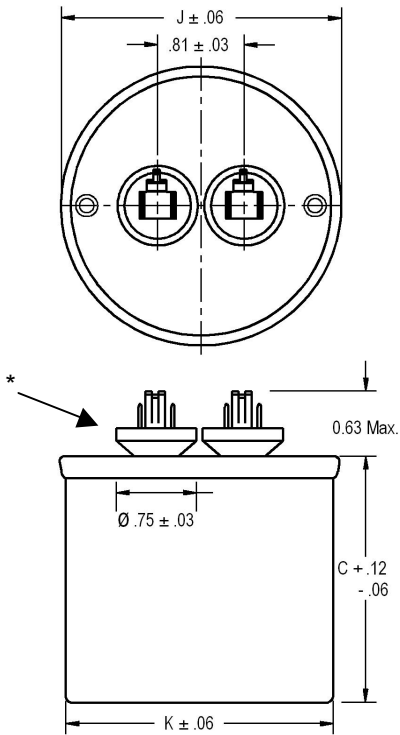
Single Ratings – 1 Section

Case Style A, B, C, and D



Voltage (VAC)	Capacitance (µF)	Catalog Number	Case Style	Base Size (in.)	Can Type	Height C (in.)	UL Code
480	3.0	97F6676	A	1.25	Oval	2.88	P921
	4.0	97F6677	A	1.25	Oval	2.88	P921
	4.5	97F6678	A	1.25	Oval	2.88	P921
	5.0	97F6681	A	1.25	Oval	2.88	P921
	6.5	97F6695	A	1.25	Oval	3.88	P921
	8.5	97F6692	B	1.50	Oval	2.88	P922
	10.0	97F6907	B	1.50	Oval	3.88	P922
	12.0	97F6674	B	1.50	Oval	3.88	P922
	14.0	97F6673	B	1.50	Oval	3.88	P922
	15.0	97F6685	B	1.50	Oval	3.88	P922
	16.0	97F6675	C	1.75	Oval	3.88	P923
	20.0	97F6694	C	1.75	Oval	3.88	P923
	21.0	97F6683	C	1.75	Oval	3.88	P923
	24.0	97F6680	C	1.75	Oval	3.88	P923
	24.0	97F6679	D	2.00	Oval	2.88	P924
	28.0	97F6918	C	1.75	Oval	4.75	P923

Case Style P, S, and T



Case Style	a	b
A	2.16	1.31
B	2.69	1.56
C	2.91	1.91
D	3.66	1.97

Case Style	K	J
P	1.75	1.88
S	2.00	2.12

*(2) .250 x .031 Blades & Fork per terminal

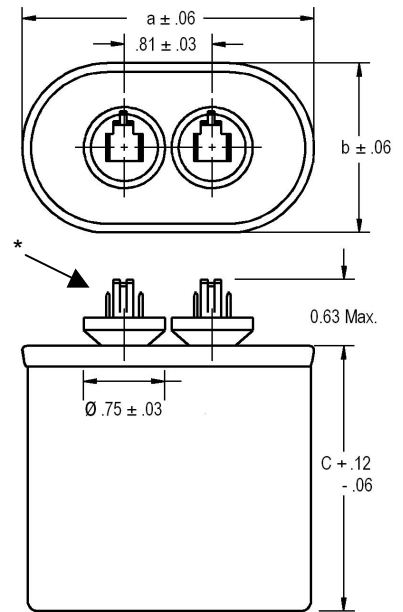
*It is Regal-Beloit's goal to serve you with the most cost effective and highest quality capacitor designs. Standardization to the catalog type shown is a major program at Regal-Beloit. However, Regal-Beloit remains sensitive to your needs and requirements, and will continue to offer the above ratings (and more) in case configurations to meet your application(s).

HID Lighting Capacitors – GEM III

Single Ratings – 1 Section

Voltage (VAC)	Capacitance (µF)	Catalog Number	Case Style	Base Size (in.)	Can Type	Height C (in.)	UL Code
540	7.5	27L176	B	1.50	Oval	2.88	P962
	10.5	97F6935	C	1.75	Oval	2.88	P963
	13.0	97F6924	B	1.50	Oval	3.88	P962
	16.0	97F6919	C	1.75	Oval	3.88	P963
	16.0	97F6920	B	1.50	Oval	3.88	P962
	18.0	97F6933	C	1.75	Oval	3.88	P963
	22.5	97F6951	C	1.75	Oval	4.75	P963
	22.5	97F6956	D	2.00	Oval	3.88	P964
	26.0	97F6934	D	2.00	Oval	3.88	P964
	32.0	97F6923	D	2.00	Oval	3.88	P964
	35.0	97F6940	D	2.00	Oval	4.75	P964
	36.0	97F6952	D	2.00	Oval	4.75	P964

Case Style A, B, C, and D



Case Style	a	b
A	2.16	1.31
B	2.69	1.56
C	2.91	1.91
D	3.66	1.97

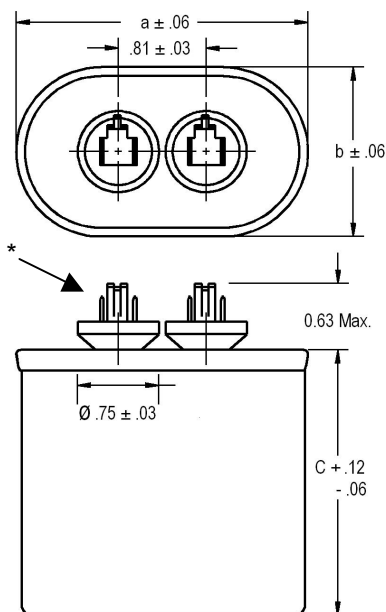
*(2) .250 x .031 Blades & Fork per terminal

*It is **Regal-Beloit's goal** to serve you with the **most cost effective** and **highest quality capacitor** designs. Standardization to the catalog type shown is a major program at Regal-Beloit. However, Regal-Beloit remains sensitive to your needs and requirements, and **will continue to offer the above ratings (and more) in case configurations to meet your application(s).**

HID Lighting Capacitors – GEM III

Single Ratings – 1 Section

Case Style A, B, C, and D



Voltage (VAC)	Capacitance (µF)	Catalog Number	Case Style	Base Size (in.)	Can Type	Height C (in.)	UL Code
580	8.0	27L791	B	1.50	Oval	3.88	P962
	10.0	97F6930	B	1.50	Oval	3.88	P962
	14.5	97F6948	B	1.50	Oval	3.88	P962
	20.0	97F6931	C	1.75	Oval	4.75	P963
	21.0	97F6946	C	1.75	Oval	4.75	P963
	24.0	97F6945	C	1.75	Oval	4.75	P963
	26.0	97F6921	C	1.75	Oval	4.75	P963

Case Style	a	b
A	2.16	1.31
B	2.69	1.56
C	2.91	1.91
D	3.66	1.97

*(2) .250 x .031 Blades & Fork per terminal

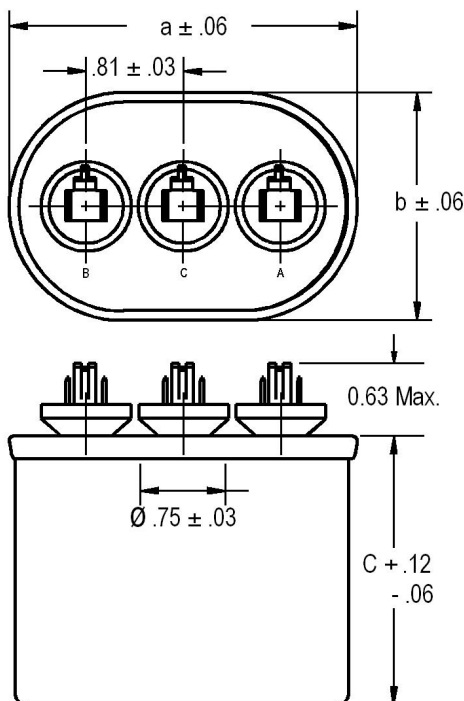
*It is **Regal-Beloit's goal** to serve you with the **most cost effective** and **highest quality capacitor** designs. Standardization to the catalog type shown is a major program at Regal-Beloit. However, Regal-Beloit remains sensitive to your needs and requirements, and **will continue to offer the above ratings (and more) in case configurations to meet your application(s).**

HID Lighting Capacitors – GEM III

Dual Ratings – 2 Sections

Voltage (VAC)	Capacitance		Catalog Number	Case Style	Base Size (in.)	Can Type	Height C (in.)	UL Code
	Main (µF)	Aux (µF)						
280	8.5	3.5	27L382	C	1.75	Oval	2.12	P923
	18.0	6.0	27L430	C	1.75	Oval	2.88	P923
	18.0	10.0	97F6890	C	1.75	Oval	2.88	P923
	20.0	8.0	25L6755	C	1.75	Oval	2.88	P923
	20.0	12.0	97F6880	C	1.75	Oval	2.88	P923
	20.0	15.0	97F6878	C	1.75	Oval	3.88	P923
	22.0	7.0	27L432	C	1.75	Oval	2.88	P923
	24.0	4.0	97F6691	C	1.75	Oval	2.88	P923
	24.0	8.0	97F6882	C	1.75	Oval	2.88	P923
	24.0	11.0	27L724	C	1.75	Oval	3.88	P923
	27.0	8.0	97F6886	C	1.75	Oval	3.88	P923
	28.0	7.0	27L442	C	1.75	Oval	2.88	P923
	33.0	15.0	97F6884	C	1.75	Oval	3.88	P923
	35.0	13.0	25L6753	C	1.75	Oval	3.88	P923
	35.0	20.0	27L55	D	2.00	Oval	3.88	P924
	36.0	12.0	97F6885	C	1.75	Oval	3.88	P923
	36.0	20.0	97F6883	C	1.75	Oval	4.75	P923
	38.0	17.0	97F6887	C	1.75	Oval	3.88	P923
	40.0	15.0	27L573	C	1.75	Oval	3.88	P923
	42.0	14.0	97F6881	C	1.75	Oval	3.88	P923
42.0	22.0	27L705	D	2.00	Oval	3.88	P924	

Case Style C and D



Case Style	a	b
C	2.91	1.91
D	3.66	1.97

MAIN SECTION: C to A
AUXILIARY SECTION: B to C

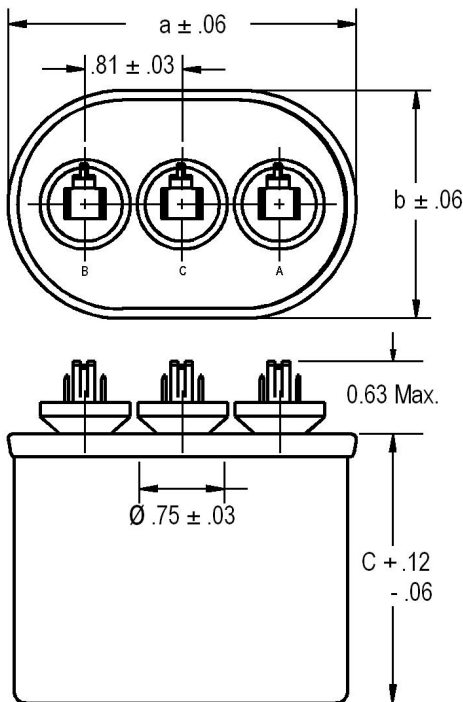
*It is Regal-Beloit's goal to serve you with the most cost effective and highest quality capacitor designs. Standardization to the catalog type shown is a major program at Regal-Beloit. However, Regal-Beloit remains sensitive to your needs and requirements, and will continue to offer the above ratings (and more) in case configurations to meet your application(s).

HID Lighting Capacitors – GEM III

Dual Ratings – 2 Sections

Voltage (VAC)	Capacitance		Catalog Number	Case Style	Base Size (in.)	Can Type	Height C (in.)	UL Code
	Main (µF)	Aux (µF)						
300	19.0	7.0	27L630	C	1.75	Oval	2.88	P923
	20.0	8.0	27L401	C	1.75	Oval	3.88	P923
	24.0	8.0	27L402	C	1.75	Oval	3.88	P923
	24.0	11.0	27L590	C	1.75	Oval	3.88	P923
	25.0	10.0	27L470	C	1.75	Oval	3.88	P923
	26.0	9.0	27L400	C	1.75	Oval	3.88	P923
	35.0	15.0	27L591	C	1.75	Oval	4.75	P923
	35.0	16.0	27L413	C	1.75	Oval	4.75	P923
	37.0	11.0	27L444	C	1.75	Oval	4.25	P923
	45.0	19.0	27L727	D	2.00	Oval	4.75	P924

Case Style C and D



Case Style	a	b
C	2.91	1.91
D	3.66	1.97

MAIN SECTION: C to A

AUXILIARY SECTION: B to C

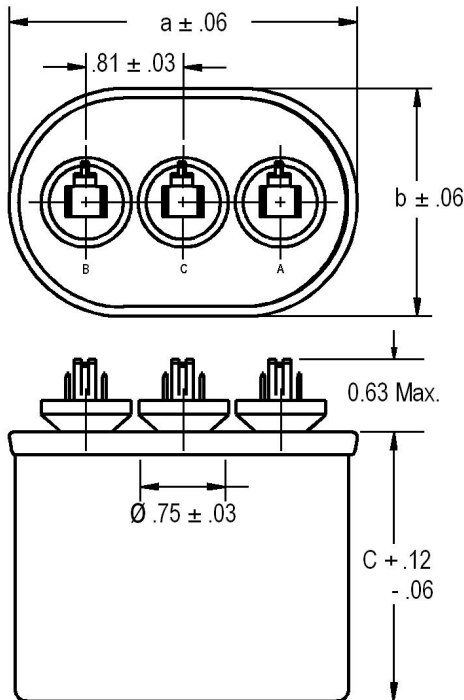
*It is Regal-Beloit's goal to serve you with the most cost effective and highest quality capacitor designs. Standardization to the catalog type shown is a major program at Regal-Beloit. However, Regal-Beloit remains sensitive to your needs and requirements, and will continue to offer the above ratings (and more) in case configurations to meet your application(s).

HID Lighting Capacitors – GEM III

Dual Ratings – 2 Sections

Voltage (VAC)	Capacitance		Catalog Number	Case Style	Base Size (in.)	Can Type	Height C (in.)	UL Code
	Main (µF)	Aux (µF)						
330	9.5	6.5	27L543	C	1.75	Oval	2.88	P923
	10.5	8.0	27L542	C	1.75	Oval	2.88	P923
	11.5	7.0	27L850	C	1.75	Oval	3.88	P923
	14.0	10.5	27L541	C	1.75	Oval	2.88	P923
	15.0	11.0	27L539	C	1.75	Oval	3.88	P923
	16.5	11.5	27L540	C	1.75	Oval	3.88	P923
	18.0	10.0	27L827	C	1.75	Oval	3.88	P923
	33.0	15.0	27L476	D	2.00	Oval	3.88	P924
	39.0	13.0	27L600	C	1.75	Oval	4.75	P923
45.0	19.0	27L562	C	1.75	Oval	5.75	P923	

Case Style C and D



Case Style	a	b
C	2.91	1.91
D	3.66	1.97

MAIN SECTION: C to A
AUXILIARY SECTION: B to C

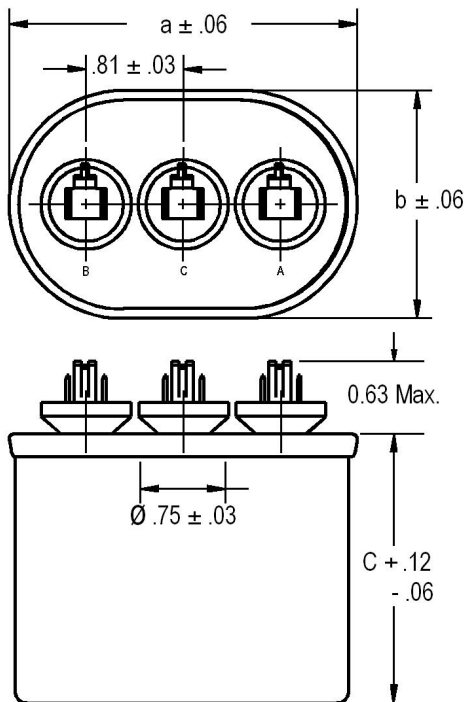
*It is Regal-Beloit's goal to serve you with the most cost effective and highest quality capacitor designs. Standardization to the catalog type shown is a major program at Regal-Beloit. However, Regal-Beloit remains sensitive to your needs and requirements, and will continue to offer the above ratings (and more) in case configurations to meet your application(s).

HID Lighting Capacitors – GEM III

Dual Ratings – 2 Sections

Voltage (VAC)	Capacitance		Catalog Number	Case Style	Base Size (in.)	Can Type	Height C (in.)	UL Code
	Main (µF)	Aux (µF)						
400	7.0	3.0	25L6252	C	1.75	Oval	2.12	P923
	8.0	2.0	97F6960	C	1.75	Oval	2.12	P923
	10.0	5.0	27L589	C	1.75	Oval	2.88	P923
	11.5	3.0	97F6927	C	1.75	Oval	2.88	P923
	12.0	12.0	97F6950	C	1.75	Oval	3.88	P923
	15.0	6.0	27L865	C	1.75	Oval	3.88	P923
	15.0	7.5	27L797	C	1.75	Oval	3.88	P923
	15.0	9.0	27L973	C	1.75	Oval	3.88	P923
	15.0	10.0	27L427	C	1.75	Oval	2.88	P923
	16.0	10.0	27L531	C	1.75	Oval	3.88	P923
	17.0	7.0	27L443	C	1.75	Oval	3.88	P923
	20.0	4.0	27L729	C	1.75	Oval	3.88	P923
	20.0	6.0	27L480	C	1.75	Oval	3.88	P923
	20.0	8.0	27L576	C	1.75	Oval	3.88	P923
	24.0	10.0	27L853	C	1.75	Oval	3.88	P923
	24.0	15.0	27L428	C	1.75	Oval	3.88	P923
	26.0	15.0	27L53	C	1.75	Oval	3.88	P923
	30.0	18.0	27L68	D	2.00	Oval	3.88	P924
	35.0	24.0	27L862	D	2.00	Oval	3.88	P924
	42.0	22.0	27L667	D	2.00	Oval	3.88	P924

Case Style C and D



Case Style	a	b
C	2.91	1.91
D	3.66	1.97

MAIN SECTION: C to A
AUXILIARY SECTION: B to C

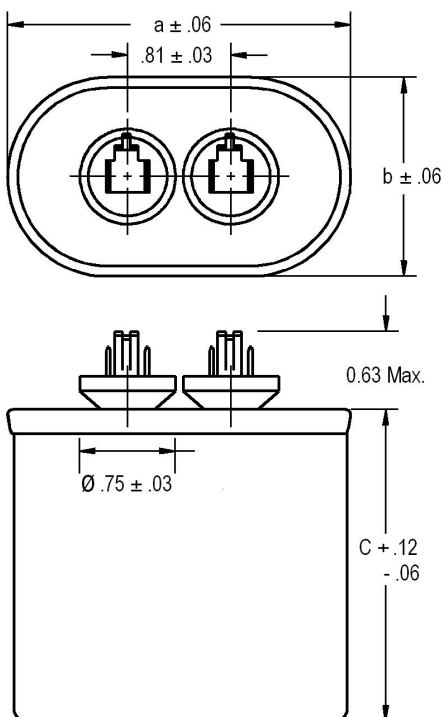
*It is Regal-Beloit's goal to serve you with the most cost effective and highest quality capacitor designs. Standardization to the catalog type shown is a major program at Regal-Beloit. However, Regal-Beloit remains sensitive to your needs and requirements, and will continue to offer the above ratings (and more) in case configurations to meet your application(s).

HID Lighting Capacitors – GEM III

100°C Max – Single Ratings – 1 Section

Voltage (VAC)	Capacitance (μF)	Catalog Number	Case Style	Base Size (in.)	Can Type	Height C (in.)	UL Code
280	48.0	27L7000	C	1.75	Oval	3.88	P923
330	14.0	27L7002	A	1.25	Oval	3.12	P921
330	26.0	27L7003	C	1.75	Oval	2.88	P923
360	24.0	27L7004	C	1.75	Oval	3.12	P923
400	10.0	27L7001	C	1.75	Oval	2.88	P922
400	24.0	27L7009	C	1.75	Oval	3.12	P923

Case Style A and C

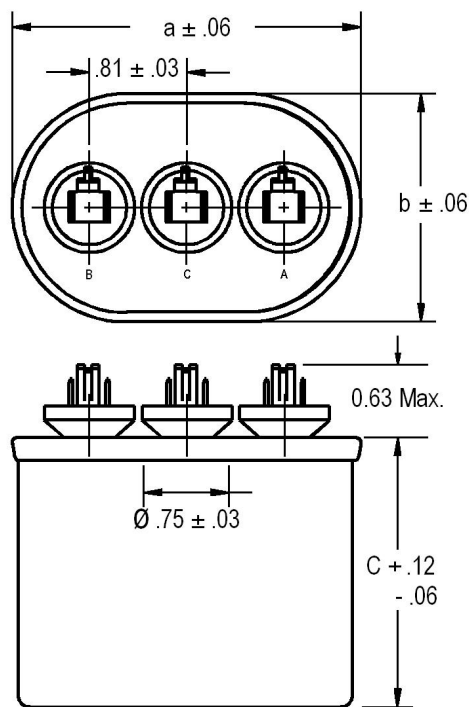


Case Style	a	b
A	2.16	1.31
C	2.91	1.91

*It is **Regal-Beloit's goal** to serve you with the **most cost effective** and **highest quality capacitor** designs. Standardization to the catalog type shown is a major program at Regal-Beloit. However, Regal-Beloit remains sensitive to your needs and requirements, and **will continue to offer the above ratings (and more) in case configurations to meet your application(s).**

Voltage (VAC)	Capacitance		Catalog Number	Case Style	Base Size (in.)	Can Type	Height C (in.)	UL Code
	Main (µF)	Aux. (µF)						
280	36.0	12.0	27L7005	C	1.75	Oval	3.88	P923
330	11.0	6.0	27L7008	C	1.75	Oval	3.88	P923
330	18.0	8.0	27L7007	C	1.75	Oval	2.88	P923

Case Style C



Case Style	a	b
C	2.91	1.91
D	3.66	1.97

MAIN SECTION: C to A
AUXILIARY SECTION: B to C

*It is **Regal-Beloit's goal** to serve you with the **most cost effective** and **highest quality capacitor** designs. Standardization to the catalog type shown is a major program at Regal-Beloit. However, Regal-Beloit remains sensitive to your needs and requirements, and **will continue to offer the above ratings (and more) in case configurations to meet your application(s).**