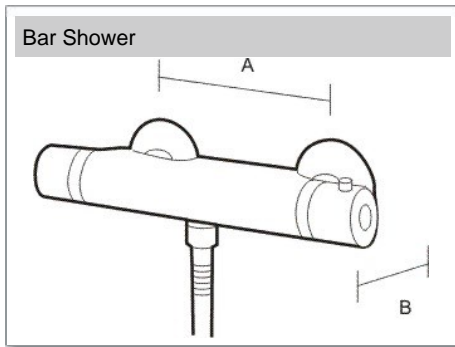




Komo Thermostatic Bar Shower. Excluding Shower Kit



Size	Pattern No.	Pack 1 Qty	Pack 2 Qty	Code	Barcode	Price (£) ex VAT
NA	Bar Shower CP	1	0	4S4001	5013866052750	£180.25



Code	Description	A	B
4S4001	KOMO CP THERMOSTATIC BAR SHOWER	150 - 175	95

Pegler Yorkshire reserve the right to change specifications

5 Year Guarantee

Luxury Taps and Mixers

Pegler Yorkshire Customcare 5 Year Guarantee - Terms and Conditions

Product are subject to a 5 year guarantee that is between Pegler Yorkshire and the final purchaser of the product.

The guarantee is subject to proof of purchase being supplied.

This guarantee does not affect any statutory rights the consumer may have in law.

The guarantee covers manufacturing or material defects and does not cover parts subject to normal wear and tear.

Finishes other than chrome are covered for a period of 3 years only and the guarantee on the finish is subject to the cleaning instructions being followed.

The guarantee is not applicable where the product is fitted contrary to the conditions in the fitting instructions.

Abusive behaviour and accidental damage to the product are not covered by this guarantee.

The extent of this liability is limited to the cost of the replacement of the defective item and not to fitting or consequential damages.

Description	Minimum Operating Pressure (bar)	Maximum Cold Working Pressure (bar)	Maximum Hot Working Pressure (bar)
Bar Shower	0.1 bar	5.0 bar at temperatures up to 85oC	Not Suitable for Maximum Hot Working Pressure

Care

To maintain the surface finish, simply wipe occasionally with a mild detergent on a soft damp cloth. Dry, using a soft cloth. Never use abrasive cleaners or chemical household cleaners and avoid contact with concentrated bleach.

Maintenance

No regular maintenance is required for this product.

In case of complete replacement Pegler recommend service valves should be fitted to the supply inlets.

For any further help or replacement parts please contact the Service Support Team on 0800 1560050.

Regulations

It is important to ensure that the water supplies to your shower are connected in accordance with the water regulations (WRAS) requirements and good plumbing practice.

It is Pegler's recommendation and good plumbing practice that the supplies of hot and cold water to the shower valve should be equal (Balanced) pressure in order to provide a consistent flow. Supplies should be from a common source, either mains or tank fed. If supplies are not equal pressures then a Non Return Valve (801 Non Return Valve) should be fitted.

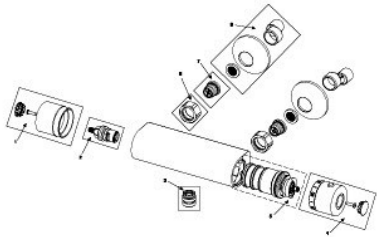
Bylaw 17(2) B

The Shower head of any shower hose pipe should be fitted with a fixing or sliding attachment so that it can only be discharged at a point not less than 25mm above the spill over level of the bath tray or fixed appliance

Bylaw 30 (2)

Where the shower valve is supplied with hot water from a storage cistern and cold water from the mains supply pipe a cold storage cistern that complies to bylaw 30 (2) must be used.

Bar Shower



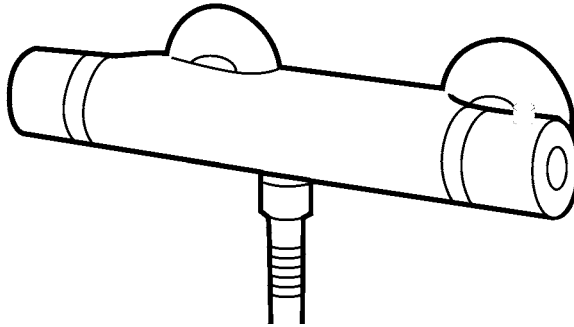
1						
Spare Key	Description	Code	Barcode	Date From	Date To	Price (£) ex VAT
1	HD80CP HANDLE CHROME	854129	5013866070747	01/01/1900	To Current	£11.77
2						
Spare Key	Description	Code	Barcode	Date From	Date To	Price (£) ex VAT
2	HK81 HEADWORK CARTRIDGE	854130	5013866070754	01/01/1900	To Current	£35.47
3						
Spare Key	Description	Code	Barcode	Date From	Date To	Price (£) ex VAT
3	ON6 OUTLET NIPPLE	854131	5013866070761	01/01/1900	To Current	£2.92
4						
Spare Key	Description	Code	Barcode	Date From	Date To	Price (£) ex VAT
4	HD81CP HANDLE CHROME	854132	5013866070778	01/01/1900	To Current	£20.57
5						
Spare Key	Description	Code	Barcode	Date From	Date To	Price (£) ex VAT
5	HK82 HEADWORK CARTRIDGE	854133	5013866070785	01/01/1900	To Current	£70.96
6						
Spare Key	Description	Code	Barcode	Date From	Date To	Price (£) ex VAT
6	CPN1 CAPNUT	854134	5013866070792	01/01/1900	To Current	£5.17
7						
Spare Key	Description	Code	Barcode	Date From	Date To	Price (£) ex VAT
7	NRV1 NON RETURN VALVE	854135	5013866070808	01/01/1900	To Current	£11.77
8						
Spare Key	Description	Code	Barcode	Date From	Date To	Price (£) ex VAT
8	FP47 FIXING PACK	854136	5013866070815	01/01/1900	To Current	£17.45

Your Guide to the installation, care
and maintenance of

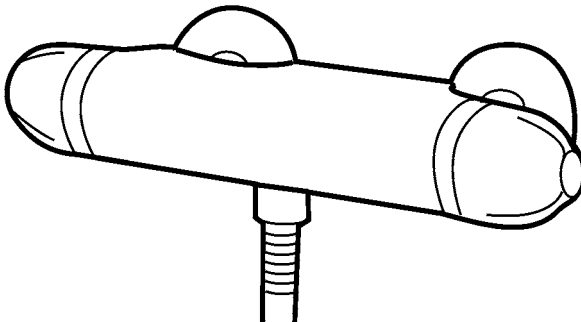
Komo & Mimo

Exposed Thermostatic Bar Showers

4S4001, 4S4011



Komo Exposed Thermostatic Bar Shower 4S4001



Mimo Exposed Thermostatic Bar Shower 4S4011

pegler

OPERATING SPECIFICATION

Hot water supply temperature:

Maximum: 85°C

Minimum: 5°C Higher than maximum required mixed temperature.
Advisable 65°C

Minimum difference between hot and cold mixed temperature is 10°C

Operating Pressure

Maximum: 5 Bar

Minimum: 0.1 Bar

Operating pressure (on hot and cold line) should be kept as balanced as possible in order to assure maximum efficiency.

When the supply is higher than 5 Bar a pressure reducing valve should be fitted before the shower valve.

TECHNICAL DATA

The temperature control knob is fitted with auto stop at 43°C to avoid scalding. The mixer ports are Supplied 3/4 BSP threads. The mixer is provided with an outlet at base of the mixer.

PLUMBING RECOMMENDATIONS.

An independant hot and cold water supply is required for the shower system (do not pipe off the main) please refer to installation diagrams.

Large runs of pipe work will cause frictional loss of pressure.

The recommended pipework from both cylinder and water tank should be 22mm minimum for low pressure systems.

If more than one shower valve is installed the minimum feed from tank to cylinder should be 28mm. (Ensure adequate supply of both hot and cold water can be maintained).

INSTALLATION

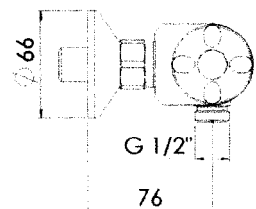
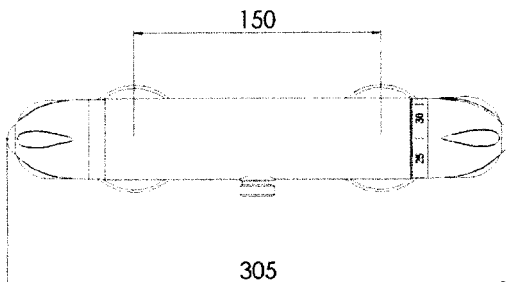
IMPORTANT: Rinse pipe work carefully prior to fitting the mixer.

Install mixer with the water outlet facing downwards and the temperature control to the right. The centre between the water inlets is max: 155 min: 145

the hot water supply connects to the left hand marked with a red dot. The flexible shower hose fits the outlet at the bottom of the mixer.

place sealing washers inside mixer nuts. Screw unions into mixer nuts and tighten with 30mm spanner.

Turn on water supply and check for leaks.



TEMPERATURE SETTING

The mixer has been set in the factory under balanced pressures to maximum 43°C. Where conditions are different from the above, the temperature of mixed water may vary from these settings. You can adjust the calibration of the mixer to suit individual requirements.

FOLLOW THESE INSTRUCTIONS CAREFULLY

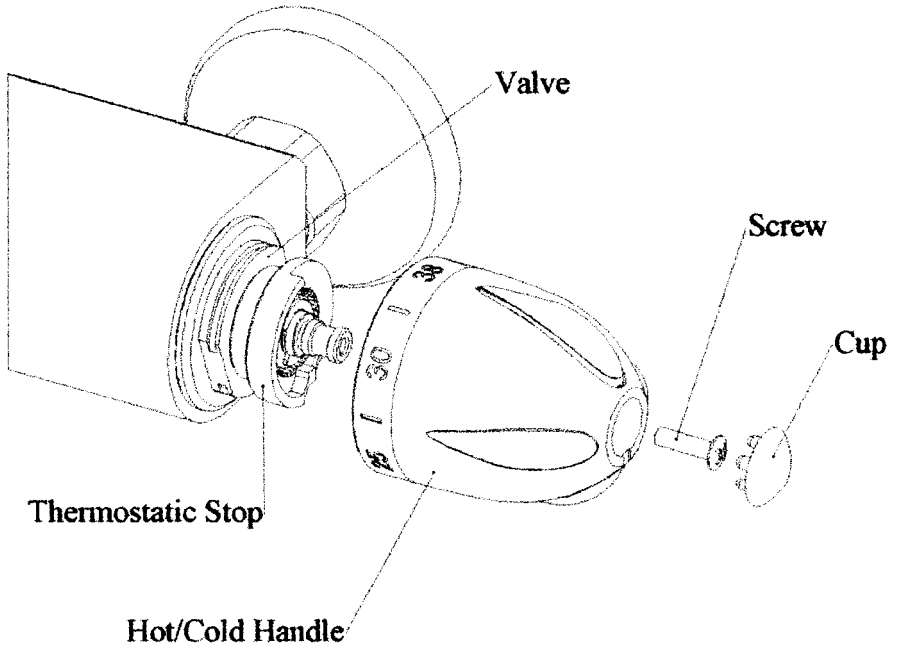
The valve is set to a maximum 43°C. Check this is the case by using a thermometer in the water flow from the valve.

If you require hotter flow re-set the calibration.

Remove the clip from hot/cold control. remove screw. The control knob can now be pulled off.

Turn the valve until the temperature is at the required level. Test again using a thermometer.

When water temperature is at the required level re-fit screw and cup.



CLEANING FILTERS

Through years of use impurities and limescale could restrict flow of water through the filters of the cartridge. To clean the filter:

Shut off water supply to both inlets. Unscrew mixer and clean filters.



e x p e r i e n c e d e s i g n i n n o v a t i o n

For further information, please contact your appropriate sales office.

HEAD OFFICE

Pegler Limited,
St Catherine's Avenue,
Doncaster,
South Yorkshire DN4 8DF.

Tel: 01302 560560
Fax: 01302 367661
Internet: www.pegler.co.uk

EXPORT

Tel: 44 (0)1302 855656
Fax: 44 (0)1302 730513

Email: export@pegler.co.uk

UK

Northern team:
Tel: 0870 1200281
Fax: 01302 560108

Southern team:
Tel: 0870 1200282
Fax: 01302 560458

Western team:
Tel: 0870 1200283
Fax: 01302 560109

Email: uk.sales@pegler.co.uk

Technical customcare line **0870 1200285**

www.pegler.co.uk

5 YEAR
GUARANTEE

Showers are guaranteed for 5 years from the date of purchase.
Full guarantee details are available on request.