

## 885 Outdoor

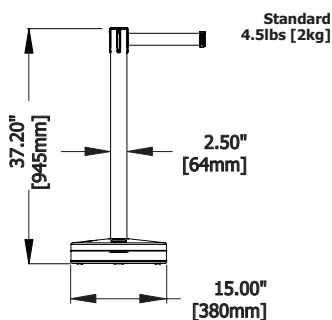
The 885 Outdoor is of rugged plastic construction, with a base that can be filled with either sand or water for added flexibility in terms of overall weight & stability.

### Features

- Super light when empty for easy transportation
- Available in 5 different plastic post colours (Black, Red, Yellow, Blue, White)
- Suitable for outdoor use, but should not be permanently placed outside
- 4-way connectivity
- Constant torque webbing retraction
- Supplied with anti-tamper tape end as standard
- 3.65m webbing option
- Accommodates the full range of sign holders

### Benefits

- Perfect for outdoor use and easy to transport
- The ultimate in flexibility, the Tensabarrier® is easy to set up and simple to store
- Guide & inform your customers & employees
- Easily achieve the optimum queue layout for your floor space
- Reduces customer stress by removing ambiguity as to where the customer should queue and by providing separation between individuals and queue lines
- Durable & hardwearing dye print that does not scratch or deteriorate
- Digitally printed webbing offers branding opportunities
- Delivered flat packed for easy storage



height	945mm	tube O.D.	64mm
base dia.	380mm	weight	2Kg when empty

8.5kg When base filled with water