



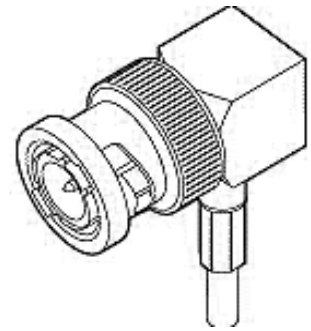
Part Number : [731000015](#)

Product Description : BNC Plug, Right-Angle, Crimp, RG-141, RG-303 and RG-58 Cable, Brass Body, Nickel (Ni) Plated, Die Cast Coupling Nut, Nickel (Ni) Plated, 50 Ohms

Series Number : 73100

Status : Active

Product Category : RF / Coaxial Connectors



Documents & Resources

Drawings

[731000015 sd.pdf](#)

[STEP AP242](#)

[SOLIDWORKS](#)

[Creo](#)

Product Environment Compliance

Compliance

China RoHS	Not Reviewed
EU ELV	Not Reviewed
Low-Halogen Status	Not Reviewed
REACH SVHC	Not Reviewed
EU RoHS	Not Reviewed

Compliance Statements

- EU RoHS
- REACH SVHC
- Low-Halogen

Industry Documents

- IPC 1752A Class C
- IPC 1752A Class D
- Molex Product Compliance Declaration
- IEC-62474
- chemSHERPA (xml)

Substances of Interest

- PFAS

EU RoHS Certificate of Compliance

Additional Product Compliance Information

Part Details

General

Status	Active
Category	RF / Coaxial Connectors
Series	73100
Description	BNC Plug, Right-Angle, Crimp, RG-141, RG-303 and RG-58 Cable, Brass Body, Nickel (Ni) Plated, Die Cast Coupling Nut, Nickel (Ni) Plated, 50 Ohms
Product Name	BNC
Style	Cable
Type	Miniature
UPC	756054334782

Electrical

Frequency	4 GHz
Impedance	50Ω
Power / Voltage	VOLTAGE: 500 Vrms@Sea Level

Physical

Cable Attachment	Crimp
Gender	Plug
Keying to Mating Part	N/A
Net Weight	18.867/g
Orientation	Right Angle
Packaging Type	Tray
Panel Mount	No
Panel Mount Method	N/A
PCB Mounting	N/A
Reverse Polar	No

Wire/Cable Type	RG-58, RG-141, RG-303, LMR-195
-----------------	--------------------------------

This document was generated on Aug 11, 2025