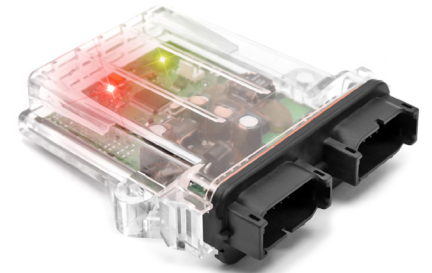




ARMORIPX™



The Clear Choice for Sealed Enclosures

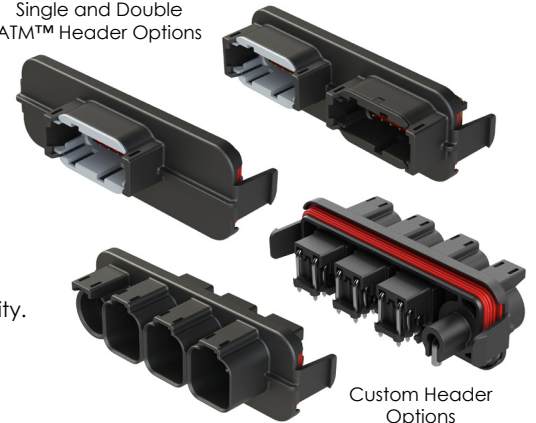
The Amphenol **Armor IPX™ Clear Sealed Enclosure** provides superior protection for printed circuit boards and electronic control modules in harsh environments and off-road applications, all in a clear, see-through housing. Available in two additional enclosure material types: Black Thermoplastic or Ultem® (Transparent Amber). Simplified installation is accomplished via a rugged tandem through-hole design for ease of mounting and includes optional environmental venting. The **Armor IPX™** electrical interface is established with the compact **ATM™ Header System** featuring optional keying and sealed 90° molded pins. The snap-in headers quickly and securely attach to the **Armor IPX™** enclosure and mate with standard **ATM™ Series** plugs. **Armor IPX™ Sealed Enclosures** and **ATM™ Header Systems** are compatible with industry standard EEC enclosures.

Key Features

- Interchangeable with industry standard connectors
- Optional header configurations - ATM™ Series 24 I/O (A, B, C & D Keying)
- Rugged tandem through-hole design for ease of mounting
- Snap-in headers establish ease of interface with PCB
- Cross hatch design increases venting protection
- Resistant to most fluids used in industrial applications



Single and Double ATM™ Header Options



Custom Header Options

Available Options

- Custom/Blank Headers available to assist in establishing additional connector interface flexibility.
- Vented enclosures (environmental venting)
- Enclosures available in Thermoplastic Black or Ultem® (Transparent Amber) material
- ATM™ Headers with optional tin- or gold-plated pins

Technical Specifications

Temperature Range	Clear Enclosure: -40°C to +120°C Black Enclosure: -55°C to +125°C Ultem® (Transparent Amber) Encl: -55°C to +125°C ATM™ Headers: -55°C to +125°C
Temperature (Humidity)	320 Hr
Temperature (Life)	1000 Hr
UV Exposure	500 Hr
Max. Current (AMP)	7.5A @ 85°C (ATM™ Headers)
IP Ratings	IP67/69K (w/ Header Installed)
Contact Resistance	<10mΩ (ATM™ Headers)
Insulation Resistance	>1000MΩ @ 500 VDC (ATM™ Headers)
Current Cycling	500 Hr (ATM™ Headers)

Material	Clear Enclosure: PC Black Enclosure: PA66 Ultem® (Transparent Amber) Enclosure: PEI ATM™ Headers: PA66
Salt Fog	96 Hr
Vibration	10 to 2000Hz – 20g peak level – XYZ – 24 Hr
Shock	50g - 20 pulses
Pins	Brass, Post Tin or Gold plated (ATM™ Headers)
Sealing Material	Silicone Rubber (ATM™ Headers)
RoHS	Compliant



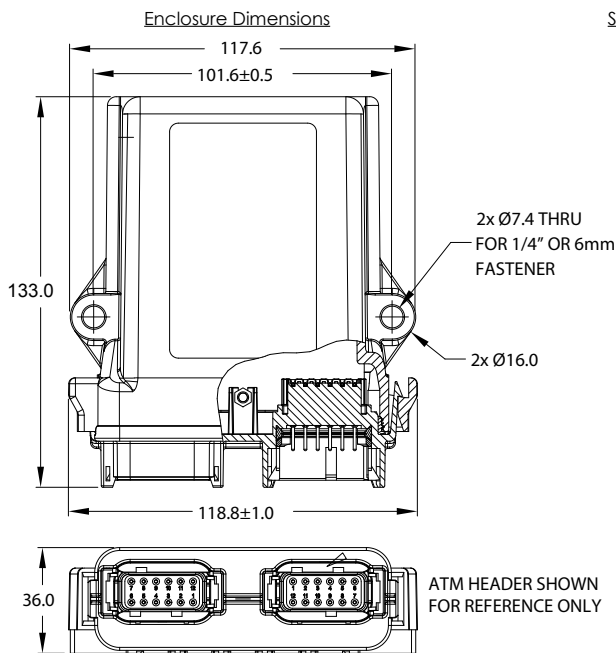
A Series™ Family



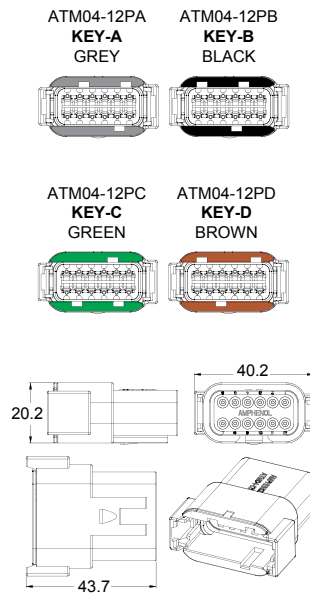
Standard products. Custom solutions
Customer Service +1 800 394 7732

Armor IPX Series™ Enclosures & Headers

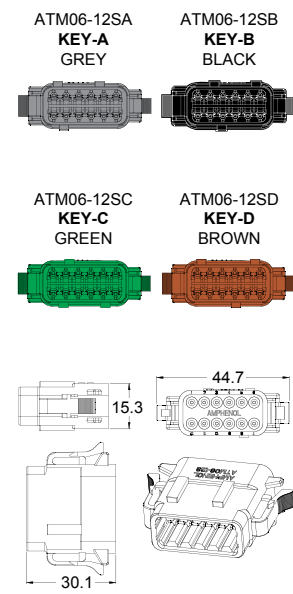
Image	Part Number	Description	Amp	Voltage
	AIPXE-325X4A-E017	Armor IPX™, Clear, Thermoplastic Enclosure, Vent Hole, Op. Temp. Range: -40°C to +120°C	-	-
	AIPXE-325X4B-E017	Armor IPX™, Clear, Thermoplastic Enclosure, w/out Vent Hole, Op. Temp. Range: -40°C to +120°C	-	-
	AIPXE-325X4A	Armor IPX™, Black, Thermoplastic Enclosure, Vent Hole, Op. Temp. Range: -55°C to +125°C	-	-
	AIPXE-325X4B	Armor IPX™, Black, Thermoplastic Enclosure, w/out Vent Hole, Op. Temp. Range: -55°C to +125°C	-	-
	AIPXE-325X4A-E016	Armor IPX™, Ultem® (Transparent Amber), Enclosure, Vent Hole, Op. Temp. Range: -55°C to +125°C	-	-
	AIPXE-325X4B-E016	Armor IPX™, Ultem® (Transparent Amber), Enclosure, w/out Vent Hole, Op. Temp. Range: -55°C to +125°C	-	-
	ATM13-12PA-GR01	Armor IPX™, ATM™ Header, Thermoplastic, 1x12 Position, Size 20, A Key - Gold Plating	7.5A	250V
	ATM13-12PB-GR01	Armor IPX™, ATM™ Header, Thermoplastic, 1x12 Position, Size 20, B Key - Gold Plating	7.5A	250V
	ATM13-12PC-GR01	Armor IPX™, ATM™ Header, Thermoplastic, 1x12 Position, Size 20, C Key - Gold Plating	7.5A	250V
	ATM13-12PD-GR01	Armor IPX™, ATM™ Header, Thermoplastic, 1x12 Position, Size 20, D Key - Gold Plating	7.5A	250V
	ATM13-12PA-R008	Armor IPX™, ATM™ Header, Thermoplastic, 1x12 Position, Size 20, A Key - Tin Plating	7.5A	250V
	ATM13-12PB-R008	Armor IPX™, ATM™ Header, Thermoplastic, 1x12 Position, Size 20, B Key - Tin Plating	7.5A	250V
	ATM13-12PC-R008	Armor IPX™, ATM™ Header, Thermoplastic, 1x12 Position, Size 20, C Key - Tin Plating	7.5A	250V
	ATM13-12PD-R008	Armor IPX™, ATM™ Header, Thermoplastic, 1x12 Position, Size 20, D Key - Tin Plating	7.5A	250V
	ATM13-12PA-12PB-BM01	Armor IPX™, ATM™ Header, Thermoplastic, 2x12 Position, Size 20, A&B Key - Gold Plating	7.5A	250V
	ATM13-12PA-12PC-BM01	Armor IPX™, ATM™ Header, Thermoplastic, 2x12 Position, Size 20, A&C Key - Gold Plating	7.5A	250V
	ATM13-12PA-12PD-BM01	Armor IPX™, ATM™ Header, Thermoplastic, 2x12 Position, Size 20, A&D Key - Gold Plating	7.5A	250V
	ATM13-12PB-12PC-BM01	Armor IPX™, ATM™ Header, Thermoplastic, 2x12 Position, Size 20, B&C Key - Gold Plating	7.5A	250V
	ATM13-12PB-12PD-BM01	Armor IPX™, ATM™ Header, Thermoplastic, 2x12 Position, Size 20, B&D Key - Gold Plating	7.5A	250V
	ATM13-12PC-12PD-BM01	Armor IPX™, ATM™ Header, Thermoplastic, 2x12 Position, Size 20, C&D Key - Gold Plating	7.5A	250V
	ATM13-12PA-12PB-BM03	Armor IPX™, ATM™ Header, Thermoplastic, 2x12 Position, Size 20, A&B Key - Tin Plating	7.5A	250V
	ATM13-12PA-12PC-BM03	Armor IPX™, ATM™ Header, Thermoplastic, 2x12 Position, Size 20, A&C Key - Tin Plating	7.5A	250V
	ATM13-12PA-12PD-BM03	Armor IPX™, ATM™ Header, Thermoplastic, 2x12 Position, Size 20, A&D Key - Tin Plating	7.5A	250V
	ATM13-12PB-12PC-BM03	Armor IPX™, ATM™ Header, Thermoplastic, 2x12 Position, Size 20, B&C Key - Tin Plating	7.5A	250V
	ATM13-12PB-12PD-BM03	Armor IPX™, ATM™ Header, Thermoplastic, 2x12 Position, Size 20, B&D Key - Tin Plating	7.5A	250V
	ATM13-12PC-12PD-BM03	Armor IPX™, ATM™ Header, Thermoplastic, 2x12 Position, Size 20, C&D Key - Tin Plating	7.5A	250V
	AIPXE-325XBP-01	ArmorIPX™, Blank Header Plate, Thermoplastic	-	-



Standard ATM™ Receptacle Dimensions



Standard ATM™ Plug Dimensions



Dimensions in mm

For more information, contact: Customer Service, +1 800 394 7732, csr@amphenol-sine.com