

REDUCER

Ex db, Ex eb, Ex ta, Ex nR, IP65/66/68

for General Industrial and Hazardous Area Installations

Features and Benefits

- Precision manufactured from high quality brass (Marine Grade Electroless Nickel Plated™), available in aluminium or stainless steel 316/316L on request. (Note: Aluminium not suitable for Group I applications.)
- Converts mismatching threads to the required thread.

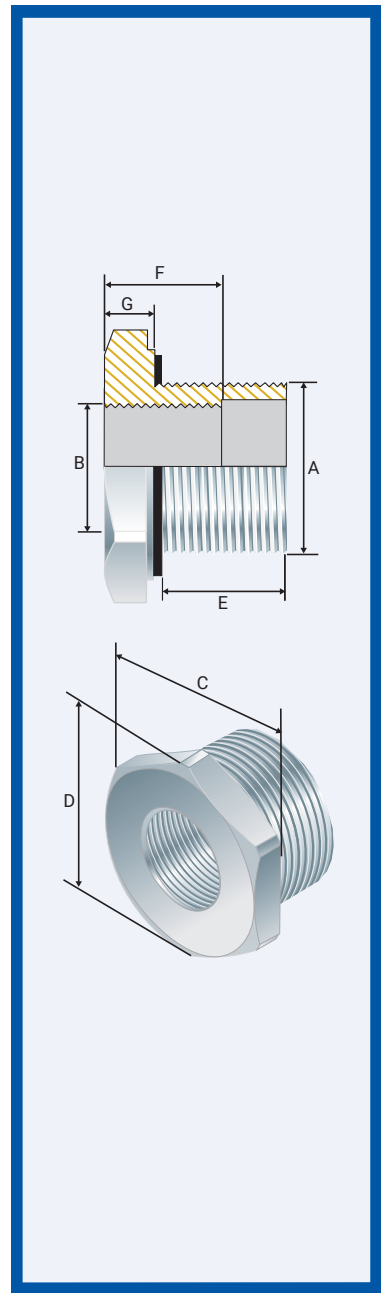


Technical Data

Type:	Reducer
Material:	Brass (Marine Grade Electroless Nickel Plated™), Aluminium, Stainless Steel 316/316L
Gasket material:	Standard HDPE or Extreme Temp. PTFE
Note:	The installer should check that the materials are suitable for the installation environment.

Standards and Certifications

Equipment Protection Levels:	IECEX/INMETRO: Ex db I Mb / Ex eb I Mb / Ex db IIC Gb / Ex eb IIC Gb / Ex ta IIIC Da / Ex nR IIC ATEX/UKEX: Ex I M2 Ex db I Mb / Ex eb I Mb, Ex II 2G 1D Ex db IIC Gb / Ex eb IIC Gb / Ex ta IIIC Da CCC: Ex db IIC Gb, Ex db I Mb, Ex eb IIC Gb, Ex eb I Mb, Ex tb IIIIC Db	
Conformance:	Standard:	Certificate:
IECEX	IEC 60079 Part 0, 1, 7, 15, 31	IECEX TSA 23.0024X
ATEX	EN 60079 Part 0, 1, 7, 31	CML 15ATEX1040X
UKEX	BS EN 60079 Part 0, 1, 7, 31	CML 21UKEX1014X
INMETRO (Brazil)	ABNT NBR IEC 60079 Part 0, 1, 7, 31	TUV 15.0485X
CCC/CNEx (Chinese)	GB/T3836.1, 2, 3, 31-2021	CNEx 21.3391X CCC 2021312313000391
SANS	SANS/IEC 60079 Part 0, 1, 7, 15, 31	MASC MS/23-9594X
IP66/68 2m - Parallel	IEC 60529	CML15Y728
IP65/66 - Tapered	IEC 60529	
IP68 - Tapered and approved grease	IEC 60529	IECEX TSA 23.0024X
Deluge Protection	DTS-01	CML 14CA370-2
Corrosion Protection	ASTM B117-11, BS EN ISO 3231	EXOVA N968667
Marine ABS	IEC 60079 Part 0, 1, 7, 15, 31, IEC 60529	ABS 20-SG1952706-1-PDA
DNV	IEC 60079 Part 0, 1, 7, IEC 60529	TAE0000010
ClassNK	IEC 60079 Part 0, 1, 7, 15, 31	TA20272M
London Underground Approval	BS EN 62444	LU 3043, LU 3044



Conditions and limitations for Safe Use - X

- An IP rating of IP66/68 is maintained for units with parallel threads when used with the supplied washer and for units with tapered thread when thread sealant is conducted as indicated in IEC 60079-14. Alternatively an IP65 rating is applicable.
- Operating temperature range -60°C to +95°C (HDPE gasket), -60°C to +100°C (nylon gasket) or -60°C to +160°C (PTFE gasket) is applicable if the gaskets are utilized to maintain an IP rating IP65/66/68 2m continued.
- A blanking element may not be installed on an Reducer.
- When the equipment with metric male thread and with the sealing washer fitted is intended for use / interface in threaded holes in a flame-proof enclosure the applicable thread engagement must be achieved after the washer has been fitted. Thread engagement shall be at least five full threads.

MOFLASH [★] SIGNALLING Product Code	Material	Male Metric Thread "A"	Female BSP Thread "B"	Hex Across Flats Min "C"	Hex Across Corners Min "D"	Male Thread Depth Min "E"	Female Thread Depth Min "F"	Hex Length Min "G"
50277	Brass	M25	M20	32.0	36.0	15.0	15.0	6.0
50278	Brass	M32	M20	38.0	42.8	15.0	15.0	6.0
50279	Brass	M32	M25	38.0	42.8	15.0	15.0	6.0

All dimensions are in mm.

11 Upper Conybere St, Birmingham B12 0EB, United Kingdom Tel: +44 (0) 121 446 5322 / +44 121 440 5894 , email: uksales@moflash.co.uk