



EN

Datasheet

RS PRO NYLON-INSULATED CORD END

TERMINALS

Stock number: 178-7296

MAXIMUM ELECTRIC CURRENT:

A.W.G.	20
AMP.	12

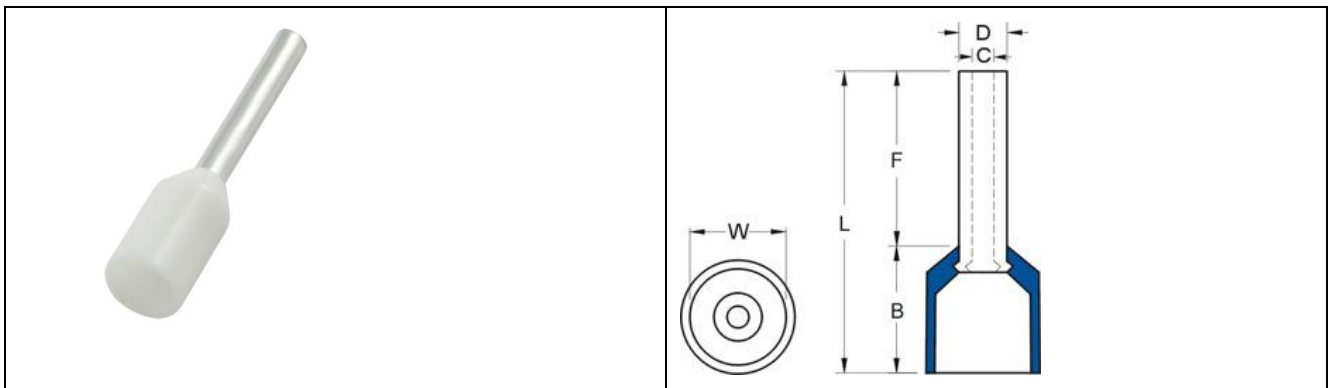
MAXIMUM ELECTRICAL RATING: 105° C 600 VOLTS MAX.

INSULATION MATERIAL: NYLON

TERMINAL MATERIAL: COPPER TUBE

SURFACE TREATMENT: TIN PLATE

INSULATION COLOR: WHITE



WIRE RANGE A.W.G. mm ²	ITEM NO.	DIMENSION inch(mm)					
		F	L	W	B	D	C
20 A.W.G.	178-7296	0.394	0.63	0.11	0.26	0.059	0.047
0.75 mm ²		10	160	2.8	6.3	1.500	1.2