

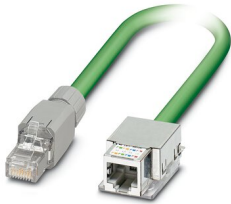
Network cable - VS-BU/PN-IP20-93B-LI/2,0



1416173

<https://www.phoenixcontact.com/gb/products/1416173>

Please be informed that the data shown in this PDF document is generated from our Online Catalog. Please find the complete data in the user documentation. Our General Terms of Use for Downloads are valid.



Assembled PROFINET cable, CAT5e, shielded, star quad, AWG 22 stranded (7-wire), RAL 6018 (yellow-green), RJ45 socket module/IP20 for Freenet system, 4-pos. on RJ45 plug/IP20, line, length: 2 m

Commercial Data

Item number	1416173
Packing unit	1 pc
Minimum order quantity	1 pc
Note	Made to Order (non-returnable)
Sales Key	ABNAAL
Product Key	ABNAAL
Catalog Page	Page 306 (PC-2011)
GTIN	4046356474283
Weight per Piece (including packing)	171.5 g
Weight per Piece (excluding packing)	160.2 g
Customs tariff number	85444210
Country of origin	PL

1416173

<https://www.phoenixcontact.com/gb/products/1416173>

Technical Data

Product properties

Product type	Data cable preassembled
Number of positions	4
No. of cable outlets	1
Shielded	yes
Cable outlet	straight

Insulation characteristics

Degree of pollution	1
---------------------	---

Electrical properties

Rated voltage (III/3)	50 V
Rated current	1.75 A
Transmission medium	Copper

Material specifications

Flammability rating according to UL 94	V0
--	----

Connection data

Connection technology

Connection method	IDC fast connection
-------------------	---------------------

Conductor connection

Connection method	IDC fast connection
-------------------	---------------------

Connector

Insertion/withdrawal cycles	≥ 1000
-----------------------------	--------

Connection 1

Degree of protection	IP20
----------------------	------

Connection 2

Material	Plastic
----------	---------

Cable / line

Cable length	2.00 m
Cable weight	67.00 kg/km
Cable type	PROFINET
Cable structure	1x4xAWG22/7; SF/TQ
External cable diameter	6.50 mm
Outer sheath, material	PVC
External sheath, color	green RAL 6018
Conductor material	Tin-plated Cu litz wires

Network cable - VS-BU/PN-IP20-93B-LI/2,0



1416173

<https://www.phoenixcontact.com/gb/products/1416173>

Conductor structure signal line	7x 0.25 mm
AWG signal line	22
Wire diameter incl. insulation	1.55 mm
Single wire, color	White, yellow, blue, orange
Wave impedance	100 Ω \pm 15 Ω (at 1 ... 100 MHz)
Smallest bending radius, fixed installation	min. 19.5 mm (cable, fixed installation)
Smallest bending radius, movable installation	min. 45.5 mm (Cable, flexible installation)
Smallest bending radius, fixed installation	min. 19.5 mm (cable, fixed installation)
Smallest bending radius, movable installation	min. 45.5 mm (Cable, flexible installation)

Ambient conditions

Degree of protection	IP20
Degree of protection	IP20

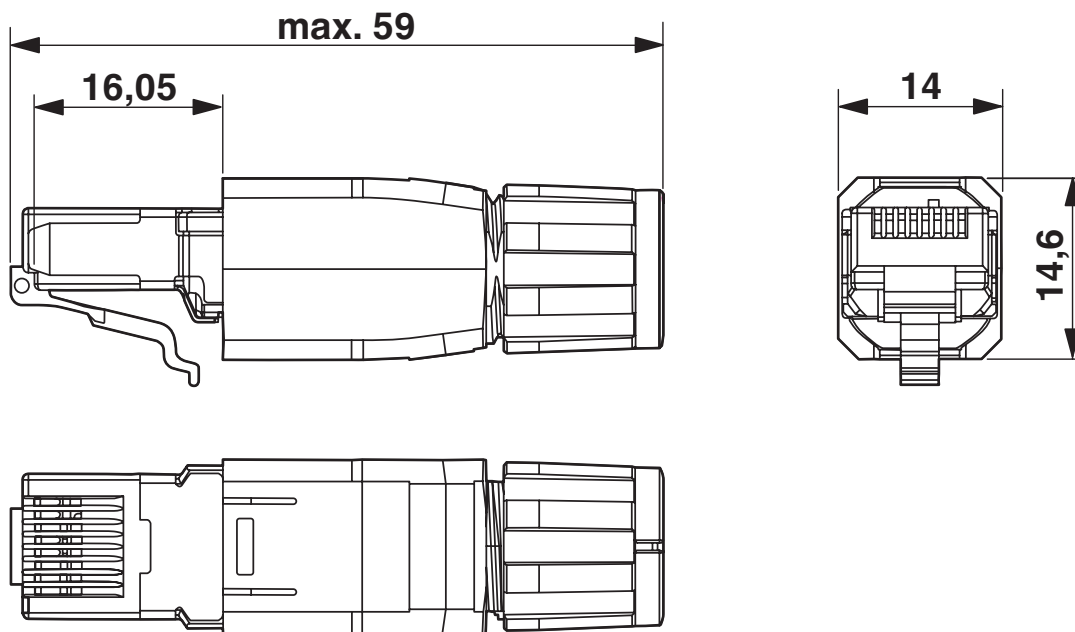
Network cable - VS-BU/PN-IP20-93B-LI/2,0

1416173

<https://www.phoenixcontact.com/gb/products/1416173>

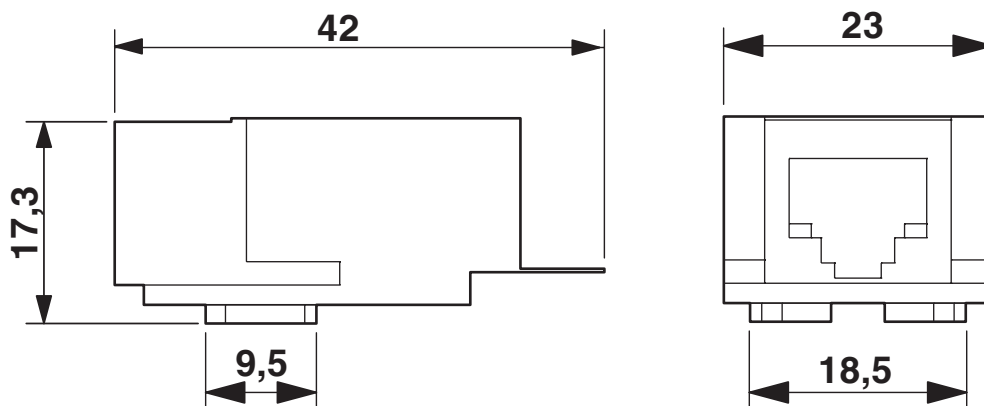
Drawings

Dimensional drawing



RJ45 connector, IP20

Dimensional drawing



RJ45 socket insert

Network cable - VS-BU/PN-IP20-93B-LI/2,0



1416173

<https://www.phoenixcontact.com/gb/products/1416173>

Approvals



EAC

Approval ID: 19060508

Network cable - VS-BU/PN-IP20-93B-LI/2,0



1416173

<https://www.phoenixcontact.com/gb/products/1416173>

Classifications

ECLASS

ECLASS-10.0.1	27060308
ECLASS-9.0	27060308
ECLASS-11.0	27060308

ETIM

ETIM 8.0	EC002599
----------	----------

UNSPSC

UNSPSC 21.0	26121600
-------------	----------

Network cable - VS-BU/PN-IP20-93B-LI/2,0



1416173

<https://www.phoenixcontact.com/gb/products/1416173>

Environmental Product Compliance

China RoHS	Environmentally friendly use period: unlimited = EFUP-e
	No hazardous substances above threshold values

Phoenix Contact 2022 © - all rights reserved
<https://www.phoenixcontact.com>

PHOENIX CONTACT Ltd
Halesfield 13, Telford
Shropshire, TF7 4PG
01952 681700
info@phoenixcontact.co.uk