

# Datasheet

ENGLISH

## RS PRO Adjustable Pressure Switch – K5 Series

Stock No: 2969989,2969995,2970002,2970018,2970030

### Up to 600 BAR rated

K5 Adjustable Pressure switches provide an electrical signal once a set pressure value is reached. Adjustment is via a graduated knob which can be locked with a grub screw.

Mechanical stops protect both the spring & micro-switch from over-pressurisation.



CE II 3 G/D EEx e T6



K5 P Execution with graduate knob

Article no.	Adjustable Pressure Range BAR	Max Pressure BAR
2969989	2 - 40	200
2969995	5 - 100	300
2970002	20 - 200	400
2970018	30 - 300	500
2970030	50 - 400	600

Screw driver adjustable on request

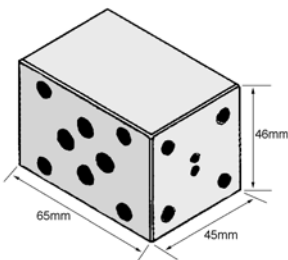
### Technical Features

Body	Anodised Aluminium
Connection	1/4" BSP Female or CETOP 3/5
Mounting	ANY orientation
Temp. Range	-20 to +80°C
Frequency	120 Cycles/min
Accuracy	±1% of Set Pressure
Fixed Hysteresis	15% of full scale reading
Weight	0.35Kg
Electrical Connection	DIN 43650
Weatherproof	IP65
Max. Contact Load	AC 250v (5 A) DC 250v (0.25 A)

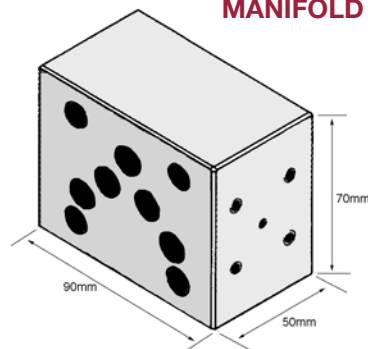
### Electrical connection



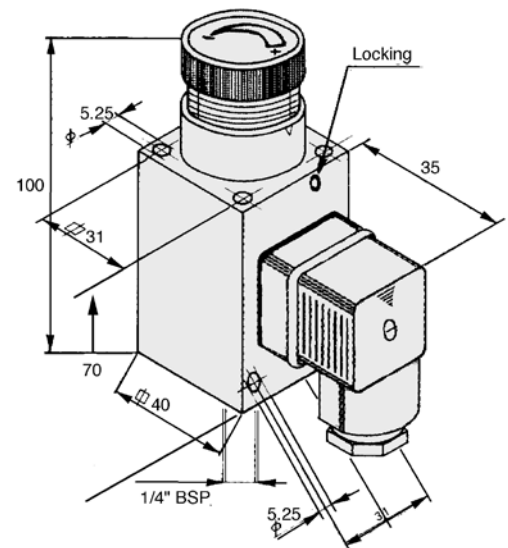
### CETOP 3 MANIFOLD



### CETOP 5 MANIFOLD



### Dimensions



With just one manifold it is possible to connect the outlet pressure to P, A or B. Made in anodized aluminium they can be used for a maximum working pressure of 350 Bar. They are supplied complete with screws to fix the pressure switch, plugs to close the pressure ports not in use and o-rings.