

ALCOSWITCH SEALED TACTILE SWITCHES

INTRODUCTION

TE Connectivity's ALCOSWITCH Sealed Tactile Switches are a comprehensive line of high-quality electromechanical components designed to deliver reliable tactile feedback and environmental protection in a wide range of applications. Engineered for durability and precision, these switches feature an IP67-sealed construction, protecting against dust, water, and other contaminants—highly reliable for demanding operating conditions.

The product family includes a broad selection of ultra-miniature, low-profile, and compact designs, available in both surface mount and through-hole configurations. To meet varying design and performance requirements, the ALCOSWITCH range offers multiple options for:

- Actuation force (light to heavy press feel)
- Actuator height and orientation (vertical or right-angle)
- Actuator travel distance (short or extended travel)
- Lifecycle durability (standard to high-cycle applications)
- Case materials and colors (for mechanical strength and design differentiation)
- Actuator materials and colors (to match tactile needs and visual styling)

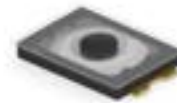
This high degree of customization helps enable integration into both consumer-facing and industrial-grade interfaces while maintaining a compact footprint and reliable electrical performance.

APPLICATIONS

- Consumer Electronics: Remote controls, handheld devices, earbuds, wearables
- Industrial Equipment: Operator panels, automation systems, test stations
- Automotive: Interior switches, infotainment interfaces, control knobs
- Medical Devices: Diagnostic tools, patient monitors, portable electronics
- Home Appliances: Touch panels, control boards, smart home interfaces
- Telecom & Networking: Server equipment, switches, routers
- Instrumentation: Portable meters, control keypads, panel interfaces



1977265



2425753



2506465



2506467



2506469



2506470



2506471



2506472



2506473



2506474



2506475










2506476








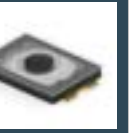
2506477

ALCOSWITCH Sealed Tactile Switches

SPECIFICATIONS

Part Number	2506465	2506467	2506469	2506470	2506471	2506472	2506473
							
Sealed Tactile Series	STSA						
Mechanical Specifications							
Size(mm)	6.2 x 6.2						
Height (mm)							
Case Material							
Case Color							
Actuator Material							
Actuator Color	There are multiple options, please refer part list for more details.						
Lifecycle (min-max)							
Actuation Force							
Actuator Travel							
Terminal Plating							
PCB Mounting Style	Gullwing	J-Lead	Gullwing	Gullwing	J-Lead	J-Lead	Through Hole
Electrical Specifications							
Contact configuration	SPST						
Contact rating max	50 mA @ 24 VDC						
Contact rating min	10 μ A @ 1 VDC						
Contact resistance	max 100 m Ω						
Insulation resistance	min 100 M Ω						
Dielectric strength	500 VAC for 1 min						
Environment Specifications							
Operating Temperature	-20°C to +105°C						
Storage Temperature	Refer drawing for individual part number						
Moisture Sensitivity Level (MSL)	1						NA
Solder Conditions	Refer drawing for individual part number						
RoHS	EU RoHS2.0((RoHS 2011/65/EU with (EU) 2015/863 Compliance)						
IP Rating	IP 67						

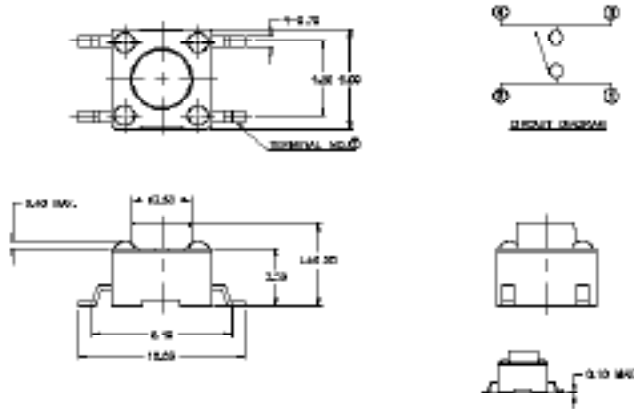
ALCOSWITCH Sealed Tactile Switches

Part Number	2506471	2506476	2506477	2506474	1977265	2425753
						
Sealed Tactile Series	STSB	STSC	STSE	STSD	FSMJS6	UMS
Mechanical Specifications						
Size(mm)	6.45 x 6.45	4.5 x 3.65	7.1 x 8.5	8.0 x 8.0	6.0X6.0	3.0 x 2.0
Height (mm)	There are multiple options, please refer part list for more details.					
Case Material						
Case Color						
Actuator Material						
Actuator Color						
Lifecycle (min-max)						
Actuation Force						
Actuator Travel						
Terminal Plating	Silver (Ag)					
PCB Mounting Style	J-Lead	Through Hole	Gullwing	Through Hole	Gullwing	Gullwing
Electrical Specifications						
Contact configuration	SPST					
Contact rating max	50 mA @ 24 VDC					
Contact rating min	10 μ A @ 1 VDC					
Contact resistance	max 100 m Ω					
Insulation resistance	min 100 M Ω					
Dielectric strength	500 VAC for 1 min					
Environment Specifications						
Operating Temperature	-40°C to +105°C					
Storage Temperature	Refer Drawing for individual part number					
Moisture Sensitivity Level (MSL)	1	NA	1	NA	1	1
Solder Conditions	Refer drawing for individual part number					
RoHS	EU RoHS2.0 (RoHS 2011/65/EU with (EU) 2015/863 Compliance)					
IP Rating	IP 67					

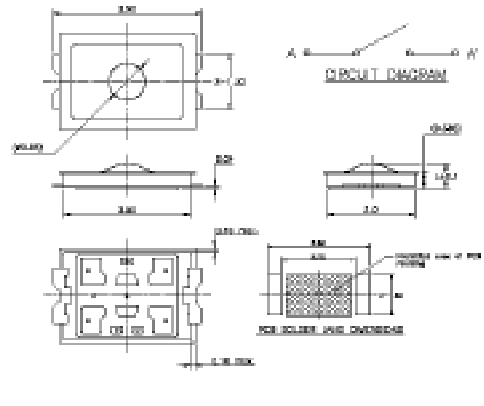
ALCOSWITCH Sealed Tactile Switches

DRAWINGS (Unit:mm)

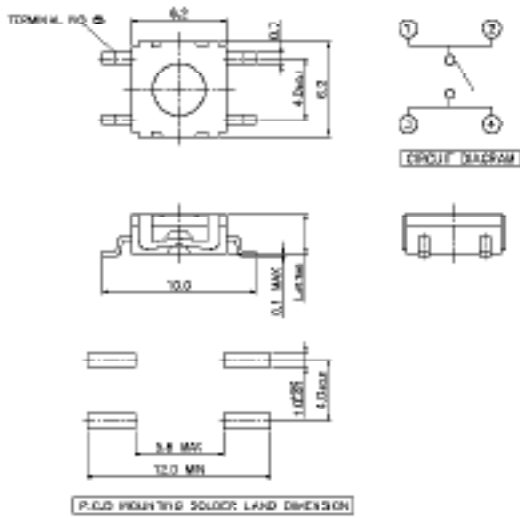
1977265



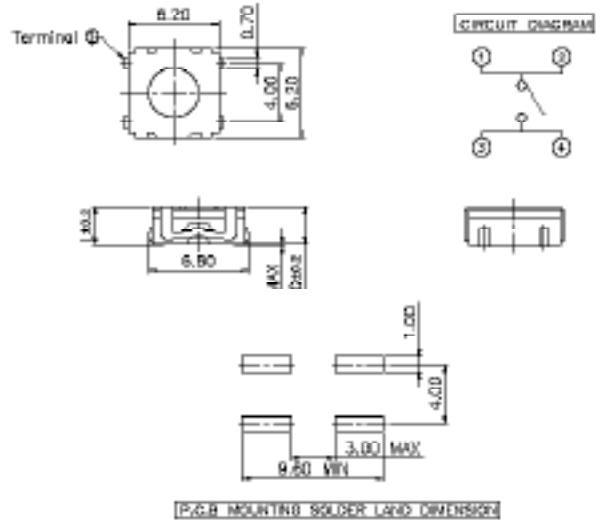
2425753



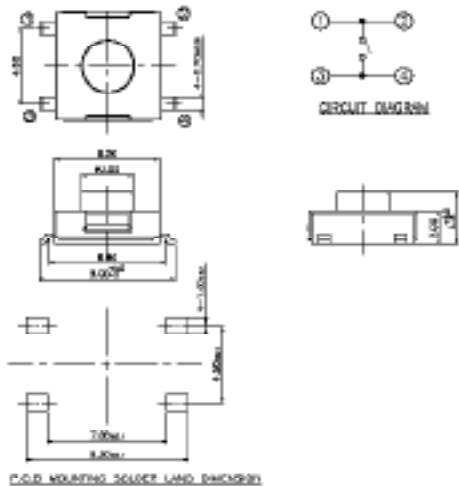
2506465



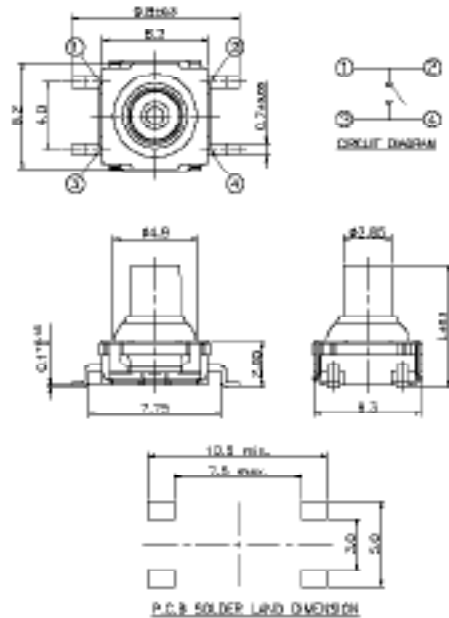
2506467



2506469

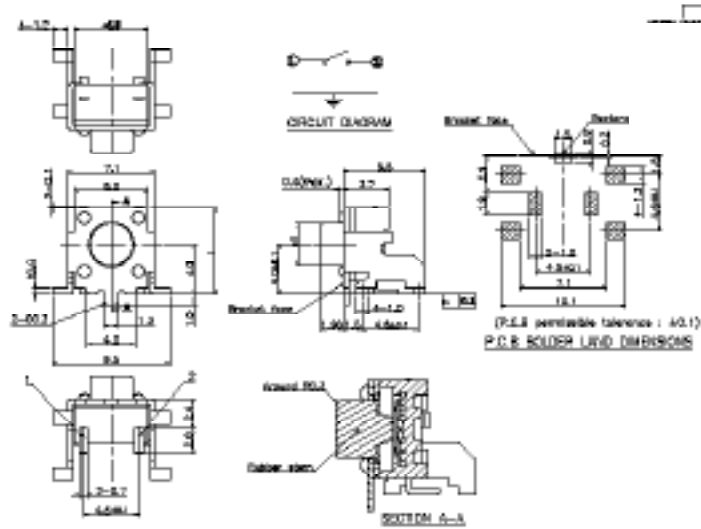


2506470



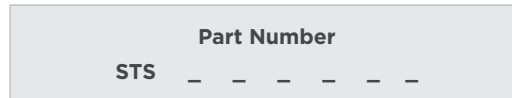
ALCOSWITCH Sealed Tactile Switches

2506477



ORDERING INFORMATION

STS -SEALED TACTILE SWITCH



Actuator Length mm

35	3.5	77	7.7
52	5.2	43	4.3
26	2.6	70	7
34	3.4	13	13
25	2.5	12	12.85
31	3.1	80	8
50	5	17	1.7
72	7.2	Blank	N/A

Version

A	Sealed 6.2 x 6.2
B	Sealed 6.45 x 6.45
C	Sealed 4.5 x 3.65
D	Sealed 8.0 x 8.0
E	Sealed 7.1 x 8.5
Blank	Sealed 6.0 x 6.0

Actuator Force

10	100 gf	25	250 gf
16	160 gf	26	260 gf
18	180 gf	35	350 gf
20	200 gf	50	500 gf

Packaging Style

Blank	Bulk/Polybag
R	Radial Tape
TR	Tape/Reel

Mounting Style

SM	Surface Mount
TH	Through Hole
JT	J Lead
RS	Right Angle Surface Mount
RT	Right Angle Through Hole

Actuator Color

A	Amber
B	Black
C	Blue
E	Grey
G	Green
H	Brown
O	Orange
R	Red
Y	Yellow
W	White

ALCOSWITCH Sealed Tactile Switches

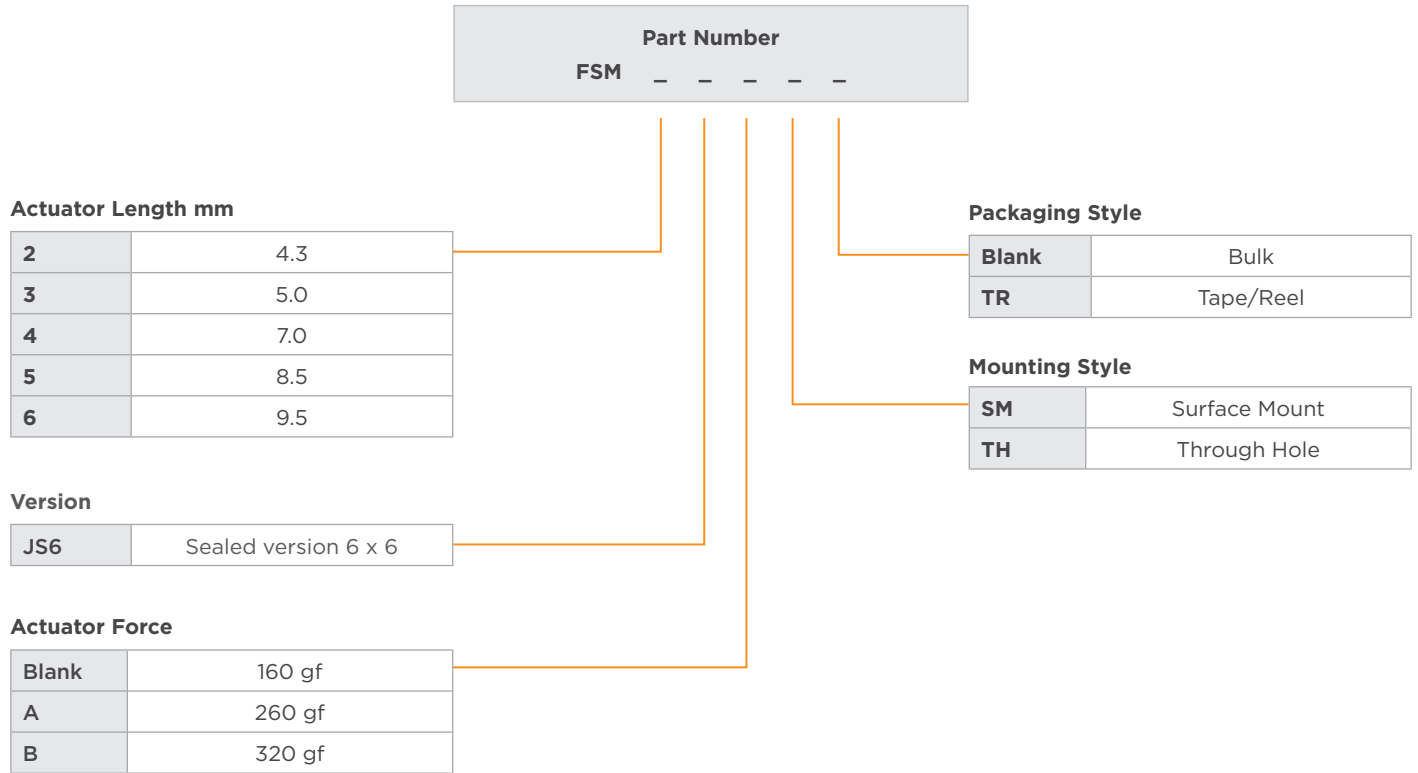
PRODUCT INFORMATION

TE Smart Part Number	Description	Packaging Type	Lifecycle (cycles)	TCPN
STS26A16WSMTR	6.2 x 6.2 x 2.6, 160gf, IP67, Tact	Tape & Reel	100,000	2506465-1
STS26A26RSMTR	6.2 x 6.2 x 2.6, 260gf, IP67, Tact	Tape & Reel	100,000	2506465-2
STS26A50YSMTR	6.2 x 6.2 x 2.6, 500gf, IP67, Tact	Tape & Reel	100,000	2506465-3
STS26A26RJT	6.2 x 6.2 x 2.6, 260gf, IP67, Tact	Bulk	100,000	2506467-1
STS26A26RJTTR	6.2 x 6.2 x 2.6, 260gf, IP67, Tact T/R	Tape & Reel	100,000	2506467-2
STS34A26RJTR	6.2 x 6.2 x 3.4, 260gf, IP67, Tact	Tape & Reel	100,000	2506467-3
STS34A50YJTR	6.2 x 6.2 x 3.4, 500gf, IP67, Tact	Tape & Reel	100,000	2506467-4
STS25A18BSMTR	6.2 x 6.2 x 2.5, 180gf, IP67, Tact	Tape & Reel	300,000	2506469-1
STS50A18GSMTR	6.2 x 6.2 x 5.0, 180gf, IP67, Tact	Tape & Reel	300,000	2506469-2
STS31A18GSMTR	6.2 x 6.2 x 3.1, 180gf, IP67, Tact	Tape & Reel	300,000	2506469-3
STS31A28CSMTR	6.2 x 6.2 x 3.1, 280gf, IP67, Tact	Tape & Reel	200,000	2506469-4
STS72A18RSMTR	6.2 x 6.2 x 7.2, 180gf, IP67, Tact	Tape & Reel	300,000	2506470-1
STS77A18RSMTR	6.2 x 6.2 x 7.7, 180gf, IP67, Tact	Tape & Reel	300,000	2506470-2
STS77A25BSMTR	6.2 x 6.2 x 7.7, 250gf, IP67, Tact	Tape & Reel	300,000	2506470-3
STS72A25BSMTR	6.2 x 6.2 x 7.2, 250gf, IP67, Tact	Tape & Reel	300,000	2506470-4
STS52BLOJTR	6.45 x 6.45 x 5.2, 350gf, IP67, Tact	Tape & Reel	500000	2506471-1
STS52BDRJTTR	6.45 x 6.45 x 5.2, 260gf, IP67, Tact	Tape & Reel	500000	2506471-2
STS52BCWJTTR	6.45 x 6.45 x 5.2, 180gf, IP67, Tact	Tape & Reel	3000000	2506471-3
STS35BLOJTTR	6.45 x 6.45 x 3.5, 350gf, IP67, Tact	Tape & Reel	500000	2506471-4
STS35BDRJTTR	6.45 x 6.45 x 3.5, 260gf, IP67, Tact	Tape & Reel	500000	2506471-5
STS35BCWJTTR	6.45 x 6.45 x 3.5, 180gf, IP67, Tact	Tape & Reel	3000000	2506471-6
STS31A26RJTTR	6.2 x 6.2 x 3.1, 260gf, IP67, Tact	Tape & Reel	100,000	2506472-1
STS31A16HJTTR	6.2 x 6.2 x 3.1, 160gf, IP67, Tact	Tape & Reel	100,000	2506472-2
STSC18BRTR	4.5 x 3.65 x 1.7, 180gf, IP67, Tact	Tape & Reel	100,000	2506476-1
STSE16BRSTR	7.1 x 8.5 x 7.0, 160gf, IP67, Tact	Tape & Reel	100,000	2506477-1
STS4310ETHR	6.0 x 6.0 x 4.3, 100gf, IP67, Tact	Radial	100,000	2506473-1
STS7020BTHR	6.0 x 6.0 x 7.0, 200gf, IP67, Tact	Radial	100,000	2506473-2
STS4316CTHR	6.0 x 6.0 x 4.3, 160gf, IP67, Tact	Radial	100,000	2506473-3
STS13D26BTHR	8.0 x 8.0 x 13, 260gf, IP67, Tact	Radial	100,000	2506474-1
STS12D26BTHR	8.0 x 8.0 x 12.85, 260gf, IP67, Tact	Radial	100,000	2506474-2
STS80JS6BTH	6.0 x 6.0 x 8.0, 160gf, IP67, Tact	Bulk	100,000	2506475-1

ALCOSWITCH Sealed Tactile Switches

ORDERING INFORMATION

TACTILE SWITCH : SEALED VERSION 6 X 6

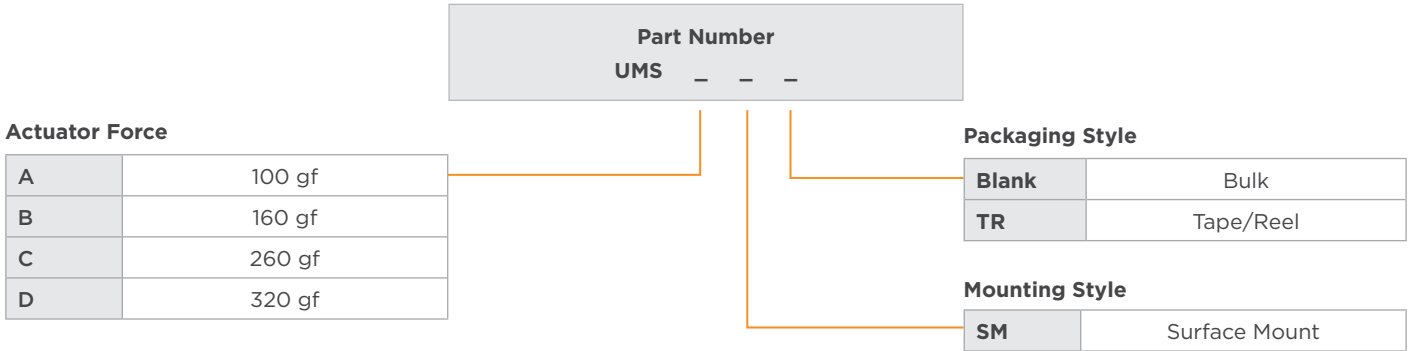


PRODUCT INFORMATION

TE Smart Part Number	Description	Packaging Type	Lifecycle (cycles)	TCPN
FSM2JS6SM	6.0 x 6.0 x 5.0, 160gf, IP67, Tact	Tape & Reel	1,000,000	1977265-1
FSM2JS6SMTR	6.0 x 6.0 x 5.0, 160gf, IP67, Tact	Tape & Reel	1,000,000	1977265-2
FSM3JS6ASMTR	6.0 x 6.0 x 5.0, 260gf, IP67, Tact	Tape & Reel	1,000,000	1977265-3
FSM5JS6SMTR	6.0 x 6.0 x 8.5, 160gf, IP67, Tact	Tape & Reel	1,000,000	1977265-4
FSM4JS6SMTR	6.0 x 6.0 x 7.0, 160gf, IP67, Tact	Tape & Reel	1,000,000	1977265-5
FSM2JS6SMTR	6.0 x 6.0 x 4.3, 160gf, IP67, Tact	Tape & Reel	1,000,000	1977265-6
FSM2JS6ASMTR	6.0 x 6.0 x 4.3, 260gf, IP67, Tact	Tape & Reel	1,000,000	1977265-7
FSM6JS6BSMTR	6.0 x 6.0 x 9.5, 320gf, IP67, Tact	Tape & Reel	350,000	1977265-8
FSM6JS6SMTR	6.0 x 6.0 x 9.5, 160gf, IP67, Tact	Tape & Reel	1,000,000	1977265-9

ORDERING INFORMATION

UMS: ULTRA MINIATURE SERIES



PRODUCT INFORMATION

TE Smart Part Number	Description	Packaging Type	Lifecycle (cycles)	TCPN
UMSBSMTR	3.0 x 2.0 x 0.6, 160gf, IP67, Tact	Tape & Reel	300,000	2425753-1
UMSCSMTR	3.0 x 2.0 x 0.6, 240gf, IP67, Tact	Tape & Reel	300,000	2425753-2
UMSASMTR	3.0 x 2.0 x 0.6, 100gf, IP67, Tact	Tape & Reel	300,000	2425753-3
UMSDSMTR	3.0 x 2.0 x 0.6, 330gf, IP67, Tact	Tape & Reel	300,000	2425753-4

te.com

©2025 TE Connectivity plc. family of companies. All Rights Reserved.

TE, TE Connectivity, ALCOSWITCH, TE connectivity (logo) and Every Connection Counts are trademarks owned or licensed by the TE Connectivity plc. family of companies. All other logos, products and/or company names referred to herein might be trademarks of their respective owners.

While TE has made every reasonable effort to ensure the accuracy of the information in this document, TE does not guarantee that it is error-free, nor does TE make any other representation, warranty or guarantee that the information is accurate, correct, reliable or current. TE reserves the right to make any changes to the information contained herein without prior notice. TE Connectivity assumes only those obligations set forth in the terms and conditions for this product and shall in no event be liable for any incidental, indirect, or consequential damages arising out of the sale, resale, use, or misapplication of the product. TE expressly disclaims any implied warranties with respect to the information contained herein, including, but not limited to, implied warranties of merchantability or fitness for a particular purpose. Dimensions, specifications and/or information contained herein are for reference purposes only and are subject to change without notice. Consult TE for the latest dimensions, specifications and/or information. Users of TE Connectivity products must make their own assessment as to whether the respective product is suitable for the respective desired application.

11/25 PS