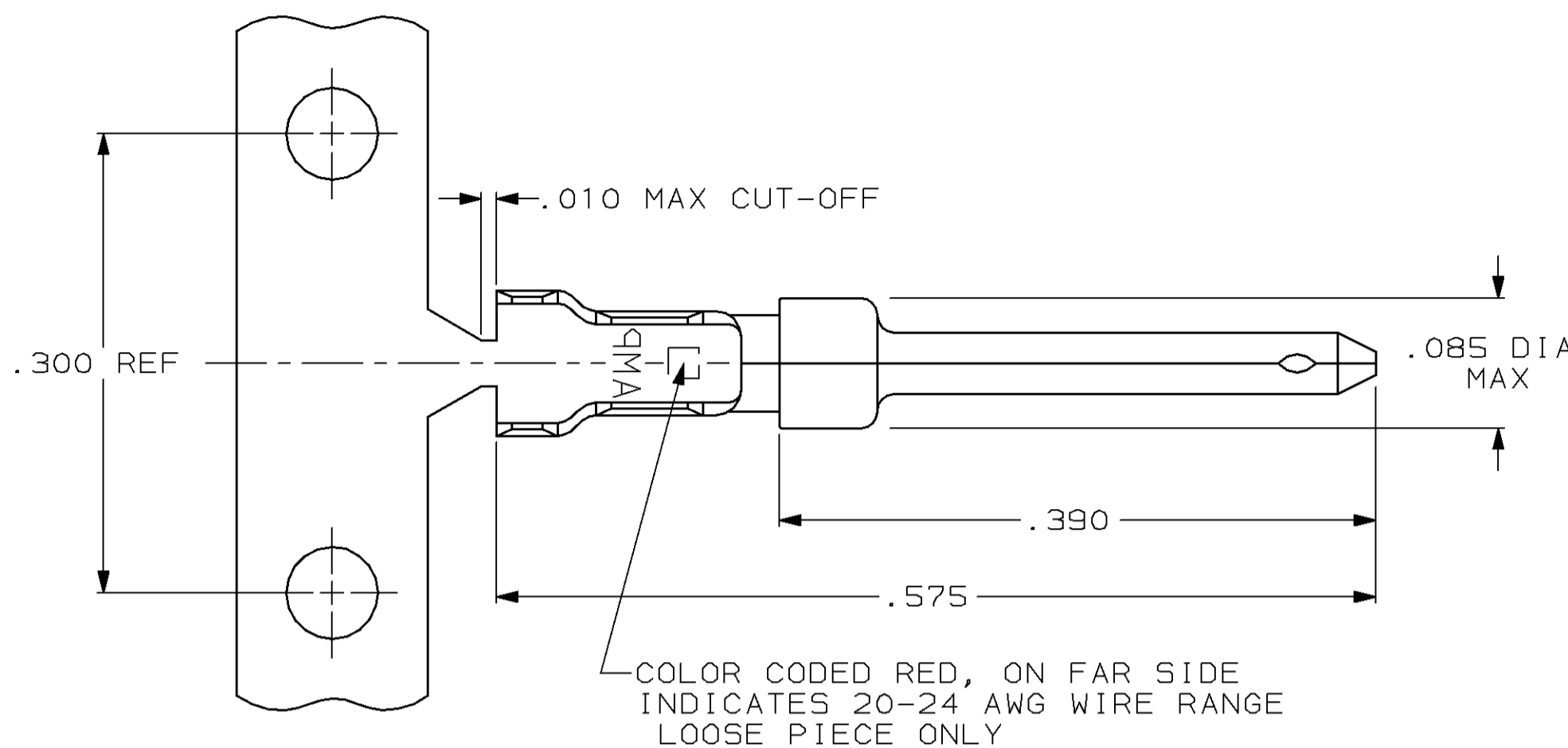
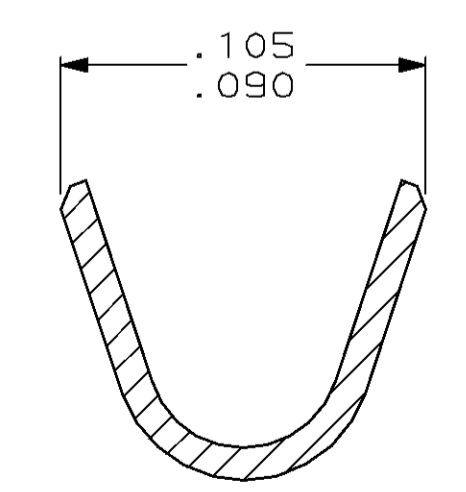
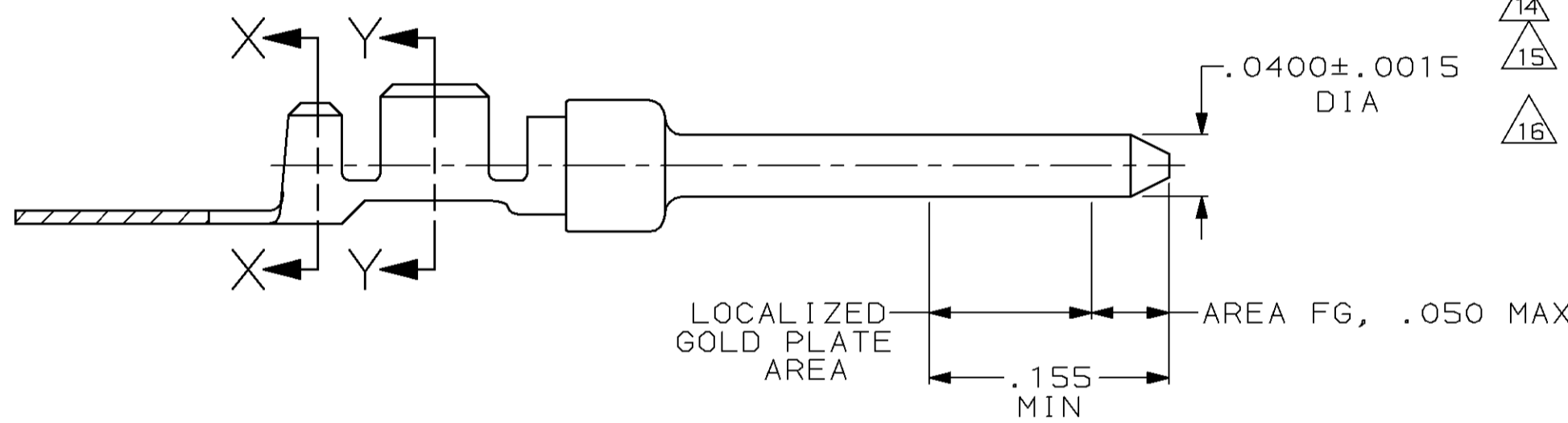


THIS DRAWING IS UNPUBLISHED. RELEASED FOR PUBLICATION ,19 .
 © COPYRIGHT 19 BY AMP INCORPORATED, HARRISBURG, PA. ALL INTERNATIONAL RIGHTS RESERVED. AMP PRODUCTS MAY BE COVERED BY U.S. AND FOREIGN PATENTS AND/OR PATENTS PENDING.

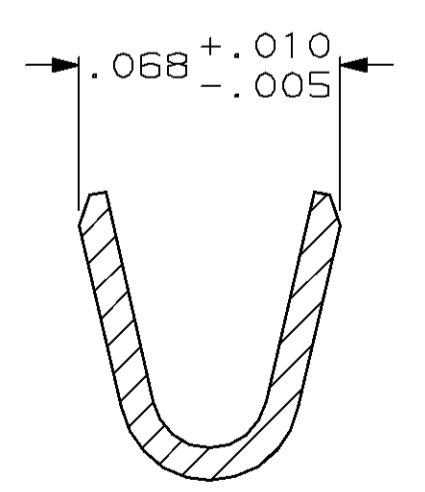
LOC		DIST		P		F		REVISIONS			
BD	48			ZONE	LTR	DESCRIPTION		DATE	APPD		
						AB	REV PER EC 0420-0036-96	13 OCT 96	PF		



COLOR CODED RED, ON FAR SIDE INDICATES 20-24 AWG WIRE RANGE LOOSE PIECE ONLY



SECTION X-X
INSULATION BARREL



SECTION Y-Y
WIRE BARREL

- 1 FOR MINI-APPLICATOR AND STRIPPER CRIMPER.
- 2 FOR HAND TOOL USE ONLY.
- 3 FOR STANDARD APPLICATOR PART #566171 ONLY.
- 4. WIRE RANGE OF 20-24, INSULATION RANGE OF .050-.060.
- 5. GOLD PLATING MAY NOT APPEAR ON CARRIER STRIP.
- 6 GOLD PLATING PER MIL-G-45204, NICKEL PLATING PER QQ-N-290, TIN PLATING PER MIL-T-10727, COPPER PLATING PER MIL-C-14550.
- 7 PLATED WITH .000050 GOLD OVER .000050 NICKEL.
- 8 PLATED WITH .000030 GOLD IN LOCALIZED GOLD PLATE AREA, GOLD FLASH ON REMAINDER, OVER .000050 NICKEL.
- 9 PLATED WITH GOLD FLASH OVER .000030 NICKEL.
- 10 PLATED WITH .000100-.000200 TIN.
- 11 PLATED WITH .000030 GOLD IN LOCALIZED GOLD PLATE AREA, GOLD FLASH IN AREA FG, TIN PLATED WIRE BARRELS, OVER .000050 NICKEL.
- 12 PLATED WITH GOLD FLASH IN LOCALIZED GOLD PLATE AREA AND AREA FG, TIN PLATED WIRE BARRELS, OVER .000030 NICKEL.
- 13 PLATED WITH .000015 GOLD IN LOCALIZED GOLD PLATE AREA, GOLD FLASH ON REMAINDER, OVER .000050 NICKEL.
- 14 AMP ITALY PART NUMBER ONLY.
- 15 PLATED WITH .000050 GOLD IN LOCALIZED GOLD PLATE AREA, GOLD FLASH ON REMAINDER, OVER .000050 NICKEL.
- 16 PLATED WITH .000001 MIN GOLD IN LOCALIZED GOLD PLATE AREA AND AREA FG, .000030 MIN TIN PLATED WIRE BARRELS, ALL OVER .000030 MIN NICKEL.

STANDARD	1	3	STRIP	6-66506-3
STANDARD	16	1	STRIP	6-66506-2
SMALL PACK	8	2	LOOSE PIECE	6-66506-1
STANDARD	15	1	STRIP	6-66506-0
STANDARD	12	2	LOOSE PIECE	5-66506-9
STANDARD	11	2	LOOSE PIECE	5-66506-7
STANDARD	13	1	STRIP	5-66506-5
STANDARD	12	1	STRIP	2-66506-5
STANDARD	11	1	STRIP	2-66506-4
STANDARD	10	1	STRIP	1-66506-4
STANDARD	9	3	STRIP	1-66506-3
STANDARD	8	3	STRIP	1-66506-2
STANDARD	7	3	STRIP	1-66506-1
STANDARD	9	2	LOOSE PIECE	1-66506-0
STANDARD	8	2	LOOSE PIECE	66506-9
STANDARD	7	2	LOOSE PIECE	66506-8
STANDARD	9	1	STRIP	66506-4
STANDARD	8	1	STRIP	66506-3
STANDARD	7	1	STRIP	66506-2
PACKAGING TYPE	FINISH	USE	TYPE	PART NUMBER

UNLESS OTHERWISE SPECIFIED DIMENSIONS ARE IN INCHES TOLERANCES ON : 2 PL DEC ± - 3 PL DEC ± .005 ANGLES ± -	DR 9-9-86 S. WELDON	AMP INCORPORATED Harrisburg, Pa. 17105	
	CHK 9-9-86 C. RICHARD		
MATERIAL BRASS PER MIL-C-50	APPD 9-10-86 L. BREKOSKY	NAME PIN CONTACT, SIZE 20 DF, 20-24 AWG, W/.050-.060 DIA INSULATION SUPPORT	
	APPD 9-10-86 V. KUMAR	SIZE C	FSCM NO 00779
FINISH 6 SEE TABLE	PRODUCT SPEC -	DRAWING NO 66506	
	APPLICATION SPEC 114-10000	SCALE 10:1	SHEET 1 OF 1
WEIGHT -			