

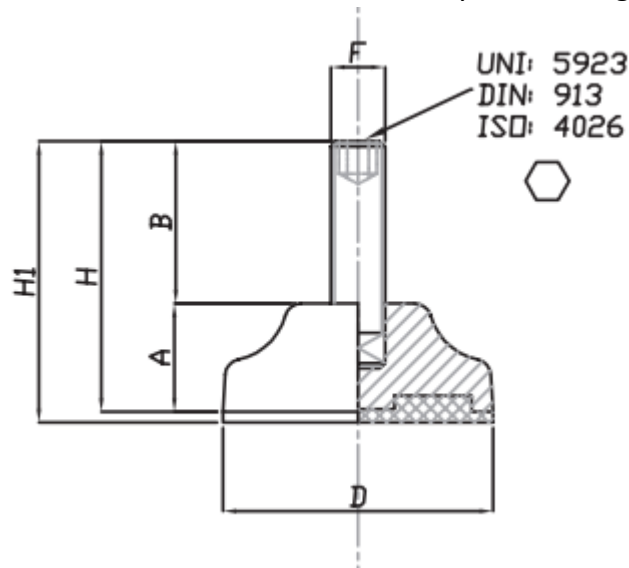


ENGLISH

Mild Steel Levelling Feet with Plastic Foot

The RS Pro Height Adjustable mounts are used for levelling and support in many applications including food processing units, packing systems and conveyor systems.

The Plastic Foot is made from a black polyamide material, reinforced by fiber glass along with a Mild Steel thread makes this an economical solution for your levelling needs.



Item Code	Description	A (mm)	B (mm)	D (mm)	F (mm)	H (mm)	H1 (mm)	Static Load (kg)
1854497	Mild Steel Threaded Mount with Plastic Foot	16	50	40	M8	66	69	500
1854499	Mild Steel Threaded Mount with Plastic Foot	20	50	50	M8	70	73	600
1854500	Mild Steel Threaded Mount with Plastic Foot	16	50	40	M10	66	69	500
1854501	Mild Steel Threaded Mount with Plastic Foot	20	50	50	M10	70	73	600