

HDC-035-01

EYE[®]
SPEEDHD
 I/O SYSTEM

(0.635 mm) .025"

HDI6, HDC SERIES

HIGH-DENSITY HIGH-SPEED I/O SYSTEM

Mates with:
 HDLSP

SPECIFICATIONS

For complete specifications and recommended PCB layouts see www.samtec.com?HDI6

Insulator Material: Black LCP
Terminal Material: Phosphor Bronze
Plating: Au or Sn over 50 μ" (1.27 μm) Ni
Current Rating: 1.5 A per pin (4 adjacent pins powered)
Operating Temp Range: -25 °C to +105 °C
Voltage Rating: 150 VAC

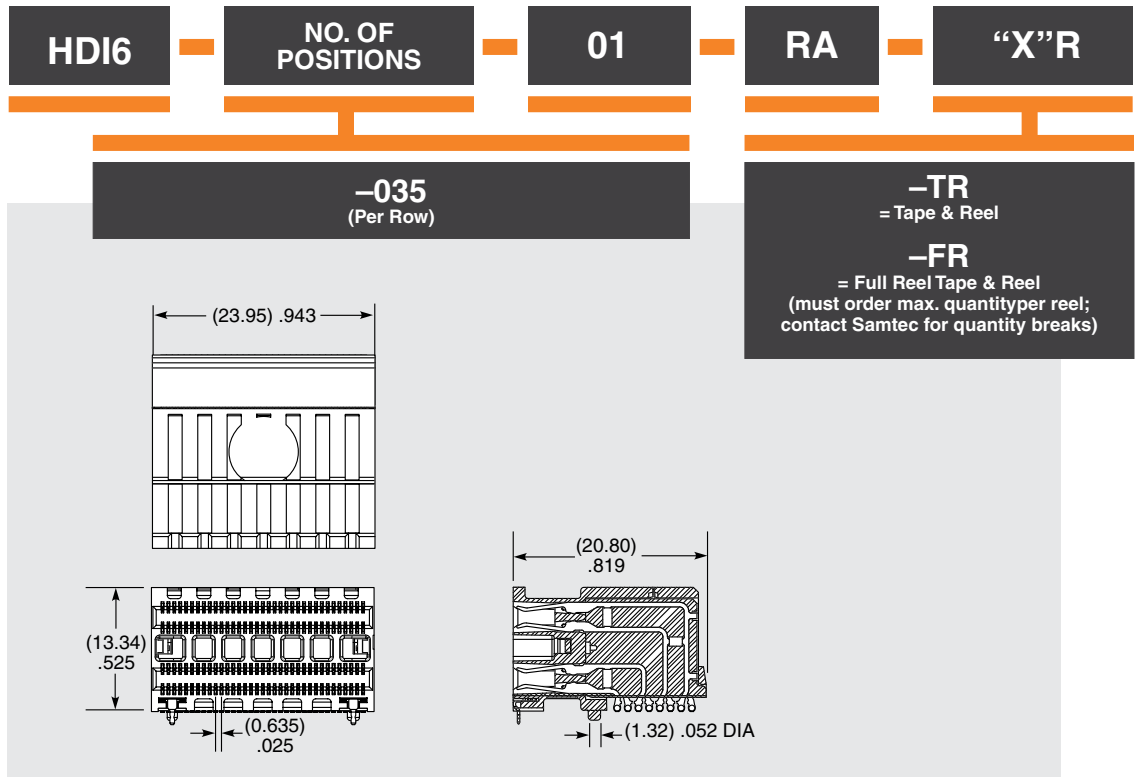
RECOGNITIONS

For complete scope of recognitions see www.samtec.com/quality



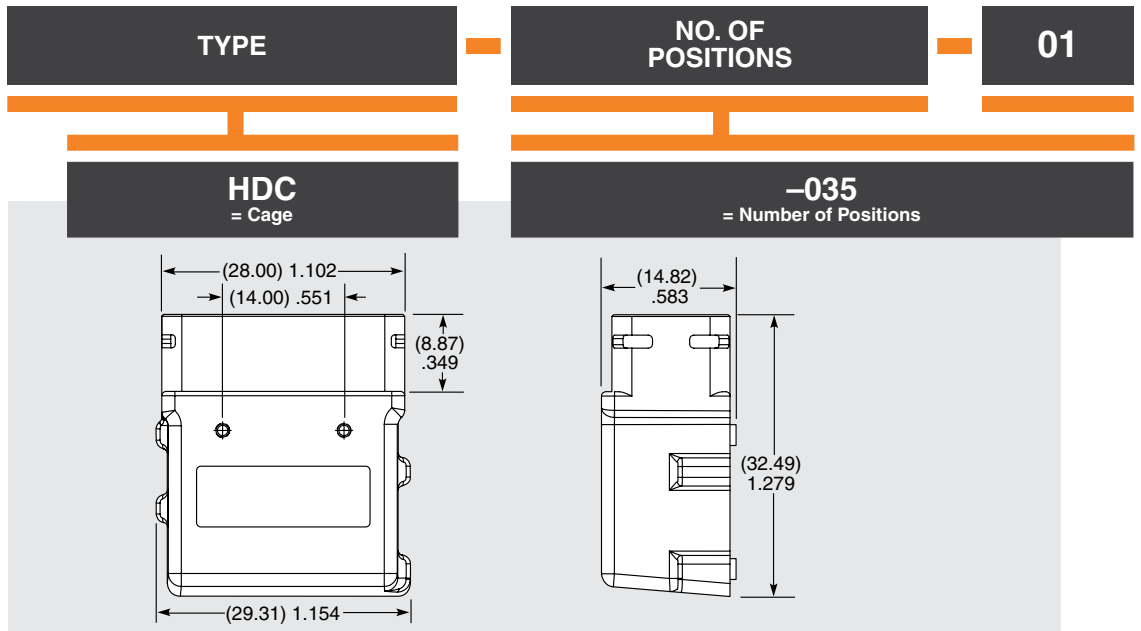
Notes:
 Patented
 For HT3.1 see www.samtec.com/ht3 and specify part number ASP-149117-01

Some lengths, styles and options are non-standard, non-returnable.



SPECIFICATIONS I

For complete specifications and recommended PCB layouts see www.samtec.com?HDC



Note:
 For HT3.1 see www.samtec.com/ht3 and specify part number ASP-149118-01

Due to technical progress, all designs, specifications and components are subject to change without notice.

WWW.SAMTEC.COM

All parts within this catalog are built to Samtec's specifications. Customer specific requirements must be approved by Samtec and identified in a Samtec customer-specific drawing to apply.