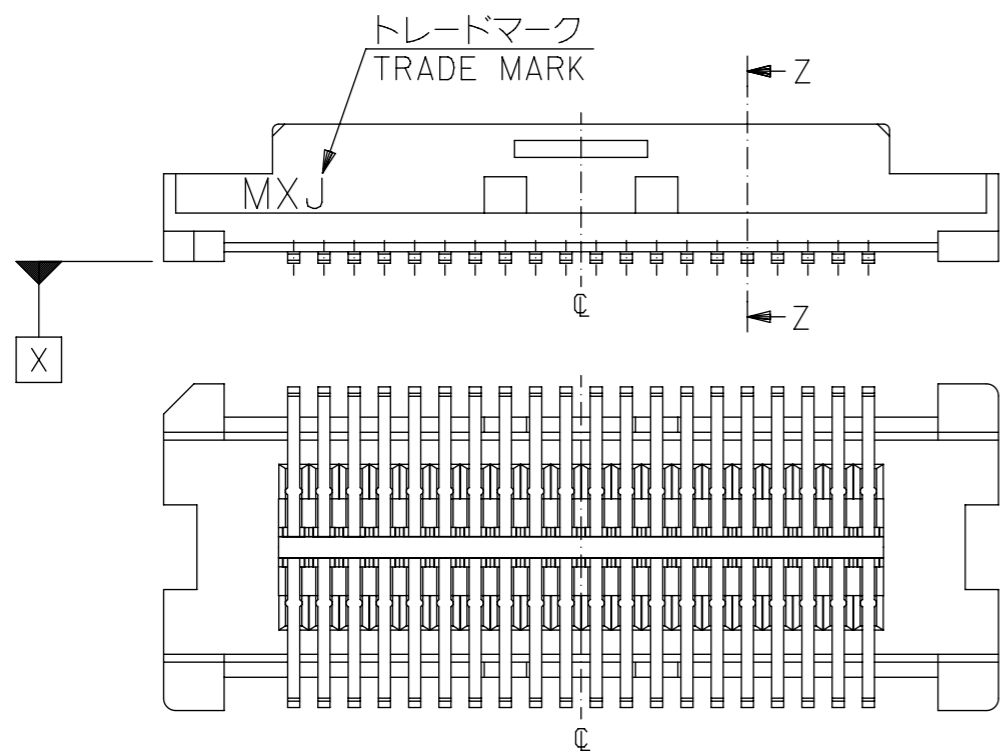
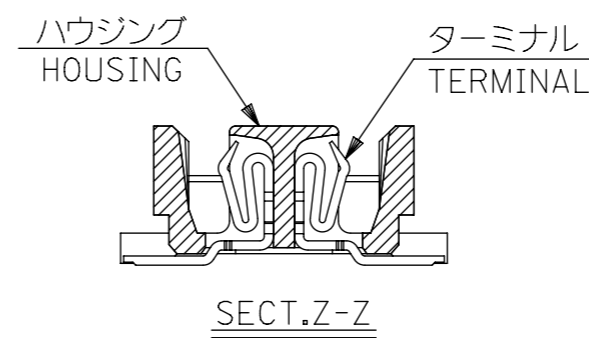
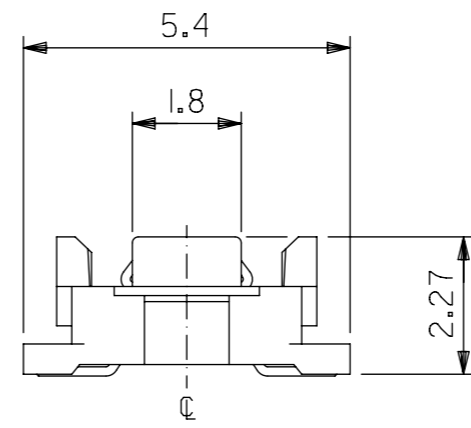


参考基板レイアウト (マウント面)  
P.C.BOARD PATTERN  
DIMENSION. (REF.)  
(MOUNTING AREA)



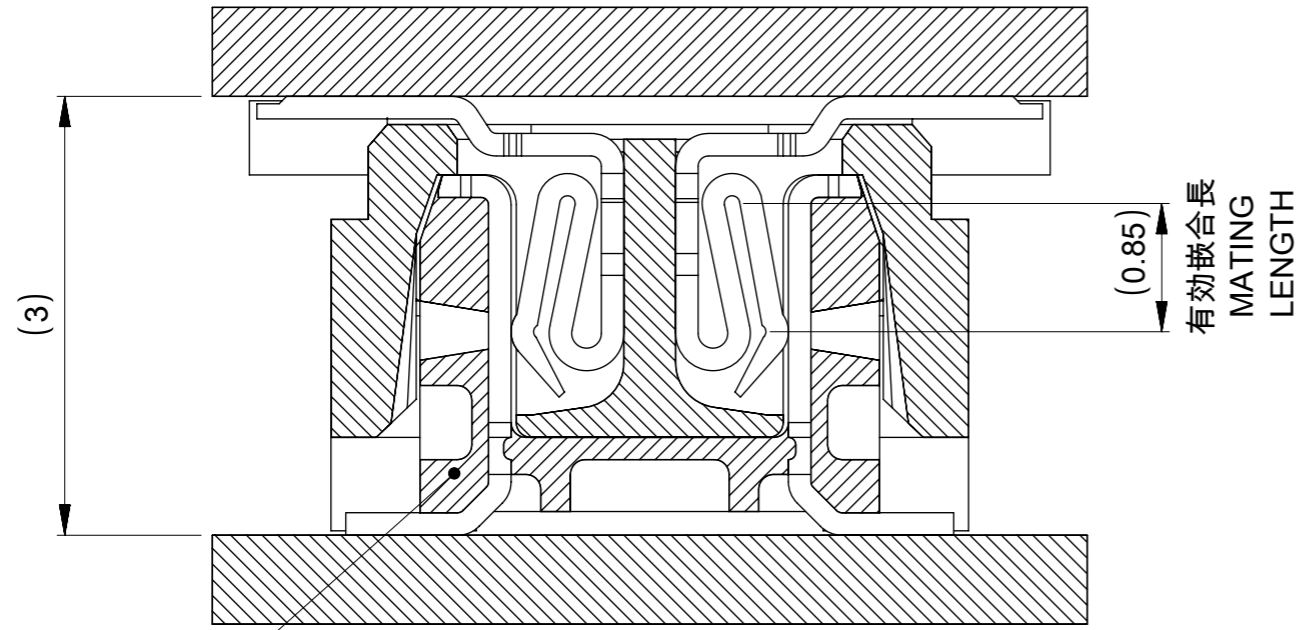
注記 NOTES:

- 使用材料 MATERIAL  
ハウジング : LCPガラス入り (黒), UL94V-0  
HOUSING : LCP(G.F.)(COLOR:BLACK), UL94V-0  
ターミナル : リン青銅 (t=0.15)  
TERMINAL : PHOSPHOR BRONZE (t=0.15)
- メッキ仕様 PLATING  
全体仕上げ : 金メッキ 0.1 MICROMETER MIN.  
ALL OVER :GOLD 0.1 MICROMETER MIN.  
下地メッキ : ニッケルメッキ 1.5 MICROMETER MIN.  
UNDER PLATING : NICKEL 1.5 MICROMETER MIN.
- 基準面 X からのソルダテールの半田付け面のズレ量は、上方向 0 下方向 0.15MAX. とする。  
MISALIGNMENT OF SOLDER TAIL FROM X  
: UPPER DIRECTION 0. LOWER DIRECTION 0.15 MAX.  
△ (全極数/2) = 偶数の場合に適用。  
APPLY FOR (CIRCUIT/2)=EVEN.

- 嵌合相手 : 53748シリーズ (嵌合高さ = 3mm)、53916シリーズ (嵌合高さ = 4mm)、501920シリーズ (嵌合高さ = 4mm)  
MATE WITH: 53748 SERIES (HEIGHT = 3mm), 53916 SERIES (HEIGHT = 4mm), AND 501920 SERIES (HEIGHT = 4mm)
- テール平坦度は、0.1MAX.  
TAIL COPLANARITY TO BE 0.1MAX.

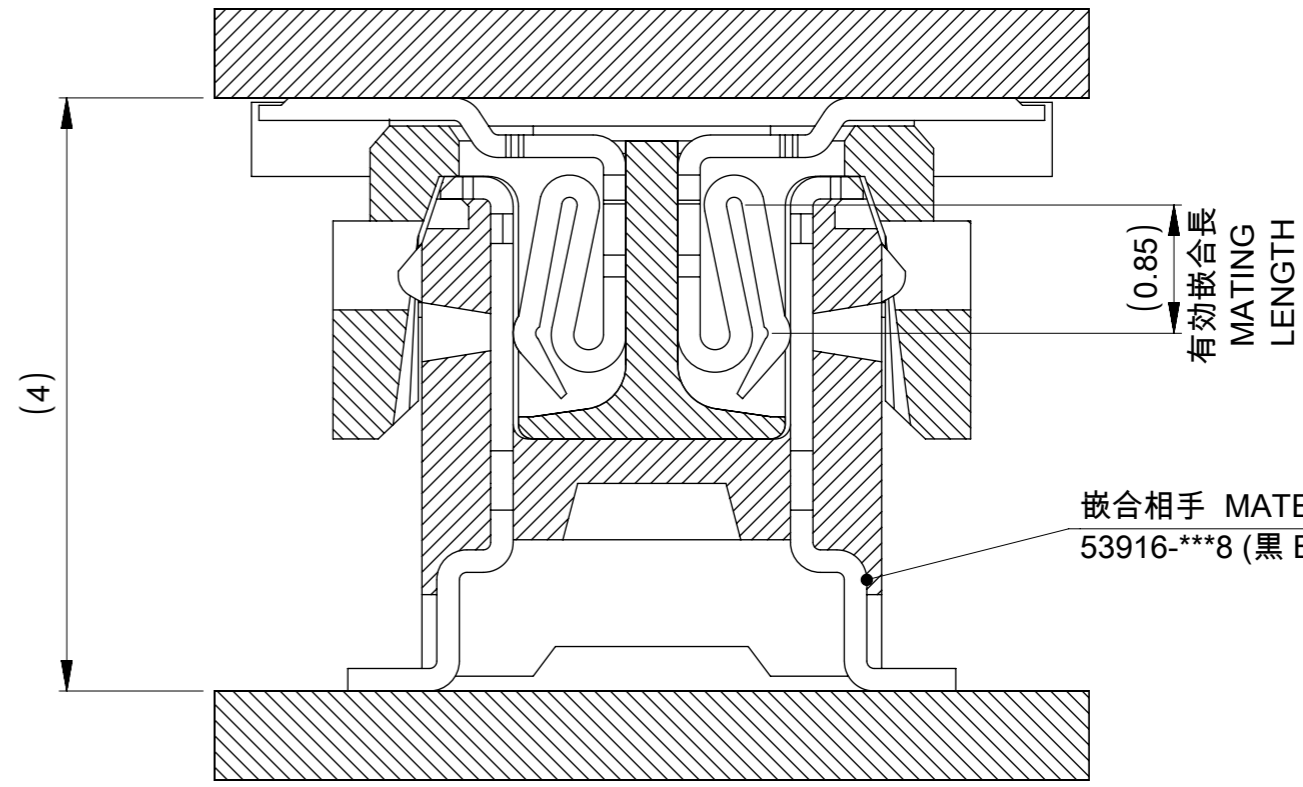
12.7	12.0	16.3	54167-0508	50
10.2	9.5	13.8	54167-0408	40
7.7	7.0	11.3	54167-0308	30
5.2	4.5	8.8	54167-0208	20
C	B	A	EMBOSSSED TAPE	極数
			ORDER No.	CIRCUIT
CONNECTOR SERIES No.			54167-***1	

THIS DRAWING CONTAINS INFORMATION THAT IS PROPRIETARY TO MOLEX ELECTRONIC TECHNOLOGIES, LLC AND SHOULD NOT BE USED WITHOUT WRITTEN PERMISSION		CURRENT REV DESC: REVISED		<b>molex</b>	
DIMENSION UNITS	SCALE	EC NO: 642297			
mm	8:1	DRWN: SUDAYGUNAGI 2020/08/20		PRODUCT CUSTOMER DRAWING	
GENERAL TOLERANCES (UNLESS SPECIFIED)		CHK'D: HSHIMYOYAMA 2020/11/30		DOCUMENT NUMBER	
ANGULAR TOL ± 30°		APPR: SHOSHIKAWA 2020/11/30		DOC TYPE DOC PART REVISION	
4 PLACES ± 0.2		INITIAL REVISION:		SD-54167-001	
3 PLACES ± 0.25		DRWN: NAIDA 2005/08/31		PSD 001 F	
2 PLACES ± 0.3		APPR: NUKITA 2005/09/09		MATERIAL NUMBER	
1 PLACE ±		THIRD ANGLE PROJECTION		CUSTOMER	
0 PLACES ±		DRAWING		GENERAL	
DRAFT WHERE APPLICABLE MUST REMAIN WITHIN DIMENSIONS		SERIES		SHEET NUMBER	
		A3-SIZE		1 OF 2	
		54167		SEE TABLE	



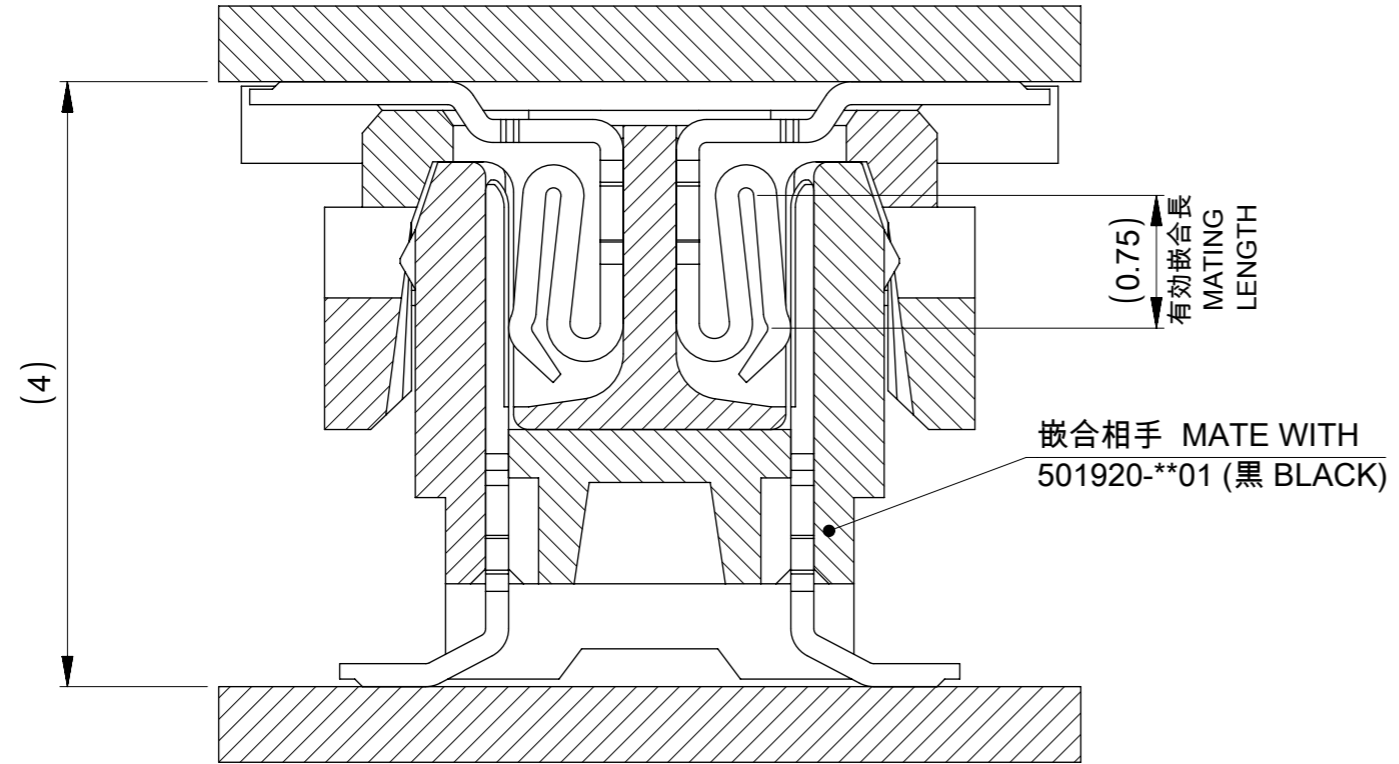
嵌合相手 MATE WITH  
53748-\*\*\*8 (白 WHITE)  
53748-\*\*\*4 (白 WHITE)

嵌合断面図 (参考)  
MATED DRAWING (REF.)



嵌合相手 MATE WITH  
53916-\*\*\*8 (黒 BLACK)

嵌合断面図 (参考)  
MATED DRAWING (REF.)



嵌合相手 MATE WITH  
501920-\*\*01 (黒 BLACK)

嵌合断面図 (参考)  
MATED DRAWING (REF.)

THIS DRAWING CONTAINS INFORMATION THAT IS PROPRIETARY TO MOLEX ELECTRONIC TECHNOLOGIES, LLC AND SHOULD NOT BE USED WITHOUT WRITTEN PERMISSION

DIMENSION UNITS		SCALE		CURRENT REV DESC: REVISED			
mm		20:1					
GENERAL TOLERANCES (UNLESS SPECIFIED)				ANGULAR TOL ± 30°			
10 <sup>UNDER</sup>		±0.2		4 PLACES		± 0.2	
10 <sup>OVER</sup> 30 <sup>UNDER</sup>		±0.25		3 PLACES		± 0.25	
30 <sup>OVER</sup>		±0.3		2 PLACES		± 0.3	
				1 PLACE		±	
				0 PLACES		±	
ANGULAR±3°				0 PLACES ±			
DRAFT WHERE APPLICABLE MUST REMAIN WITHIN DIMENSIONS				DRAFT WHERE APPLICABLE MUST REMAIN WITHIN DIMENSIONS			
THIRD ANGLE PROJECTION		DRAWING		SERIES		MATERIAL NUMBER	
		A3-SIZE		54167		SEE SHEET 1	
CUSTOMER		GENERAL		SHEET NUMBER		2 OF 2	

**molex**

0.5 MM PITCH B-TO-B CONN.  
HEIGHT = 3 & 4 RECEPTACLE

PRODUCT CUSTOMER DRAWING

DOCUMENT NUMBER: SD-54167-001  
DOC TYPE: PSD  
DOC PART: 001  
REVISION: F